

INSTALLATION INSTRUCTIONS

A5526AA RETRO FIT ADJUSTABLE INLETS PACK FOR IN-LINE THERMOSTATIC SHOWER VALVE

The adjustable inlets each have adjustment of 4mm, allowing your thermostatic mixer to be connected to pipe centres ranging from 147mm to 155mm

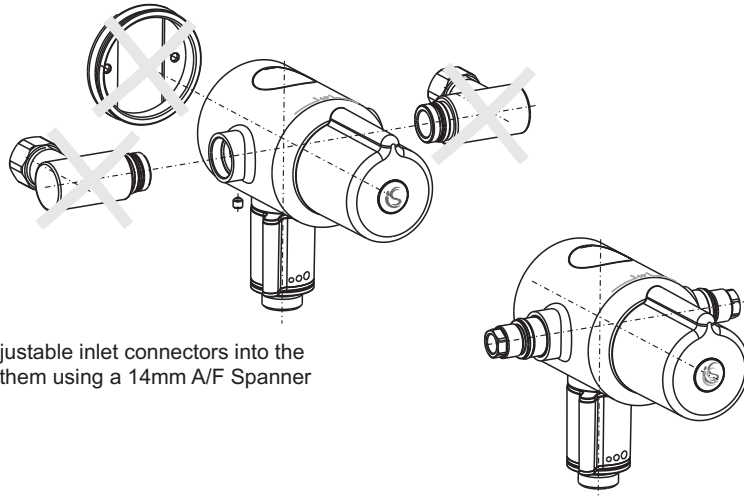
The adjustable external backplate allows for 5mm adjustment from the finished wall surface

Kit contains:

- Adjustable Inlet Elbows x 2
- External Backplate
- Adjustable Inlet Connectors x 2
- Check valves x 2
- M5x5 Grub Screws x 2
- 2.5mm A/F Hexagonal Key
- Instruction leaflet
- Wall plugs & fixings x2

INSTALLATION

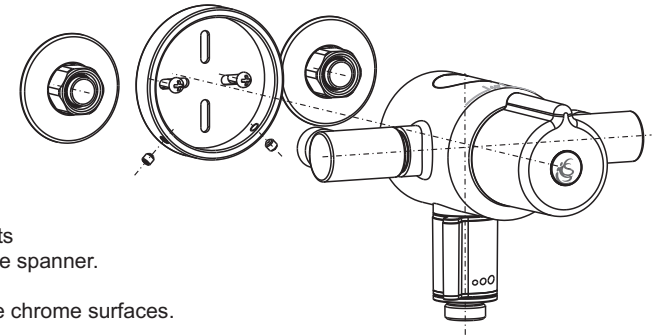
1. Unscrew the original elbows from the mixer body and discard
2. Remove and discard the internal backplate from the mixer by removing the grub screw with a 2.5mm hexagonal key (supplied).



3. Fit the new adjustable inlet connectors into the mixer and tighten them using a 14mm A/F Spanner

BEFORE CONNECTION FLUSH WATER THROUGH PIPEWORK TO REMOVE ALL GRIT & DEBRIS WHICH COULD DAMAGE THE VALVE MECHANISM

4. Screw the adjustable inlet elbows onto the connectors and position them at the existing pipework centre distance. Note! Must be between 147mm and 155mm
5. Draw a centre line on the wall surface between the existing inlet pipework.
6. Using the new adjustable external backplate as a template, mark the position of the backplate fixing holes.
7. For solid walls drill the holes for the backplate with a 6mm drill and insert the wall plugs (supplied). For other types of wall structure alternative fixings may be required (not supplied).
8. Secure the new backplate to the wall using the screws (supplied).
9. Align the mixer with the pipework and fit onto the backplate. Note! Make sure that the pipes are pushed fully into the inlet connectors.



10. Tighten the compression nuts onto the mixer with a suitable spanner.
Caution!
Take care not to damage the chrome surfaces.
11. Tighten the adjustable backplate grub screws with a 2.5mm hexagonal key (supplied) to secure the mixer to the backplate.
12. Refer to the Thermostatic mixer and shower fittings installation and user guides for further installation and commissioning procedures.



CUSTOMER CARE HELP LINE

0870 129 6085

CUSTOMER CARE FAX

01482 499611

E-MAIL

UKcustcare@idealstandard.com

Ideal Standard pursues a policy of continuing improvement in design and performance of its products.

The right is therefore reserved to vary specification without notice.

Ideal Standard is a division of Ideal Standard (UK) Ltd

Ideal Standard,
The Bathroom Works, National Avenue
Kingston-upon-Hull, HU5 4HS, England

T122/2 - 08/10

A866227