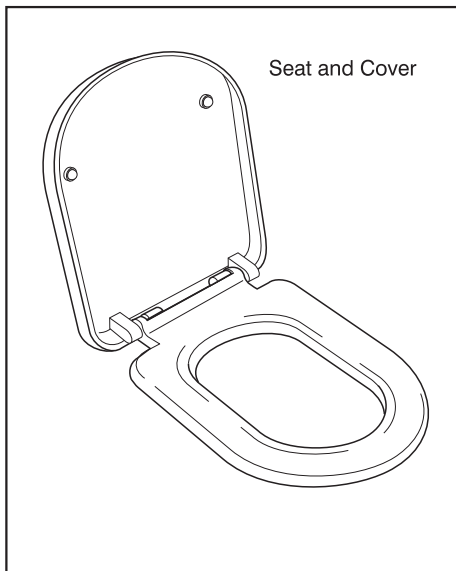




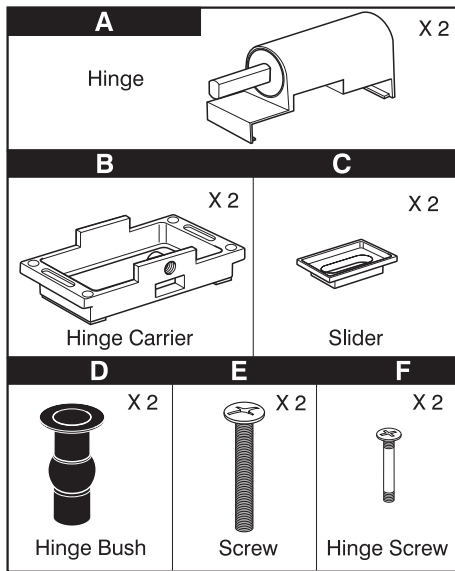
# Della Toilet Seat

## Assembly and Installation Instructions

### Parts Supplied



### Fittings Supplied - Hinge Pack



### Tools Required (not supplied)

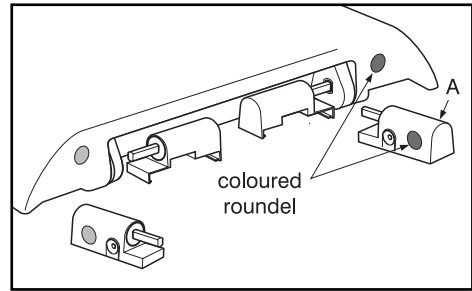
- Screwdriver

### Before You Start

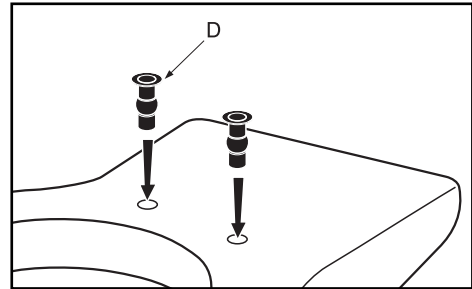
- Check the pack and make sure you have all the parts listed. If not, contact the vendor who will be able to help you.
- When you are ready to start, make sure that you have the right tools to hand, plenty of space and a clean, dry area for assembly.
- **Please Note:** Although these instructions are comprehensive, it is always recommended that a technically competent installer should undertake installation.

## Hinge Assembly

1. Locate hinges (A) into seat and cover, matching left and right hand coloured roundel on hinge and seat.



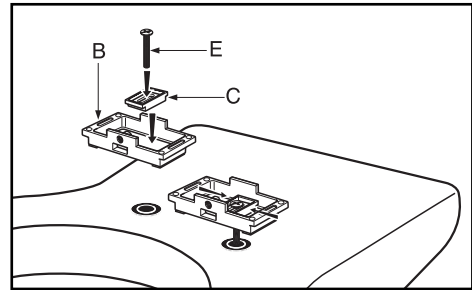
2. Push hinge bushes (D) into seat holes.



3. Place sliders (C) and screws (E) into hinge carriers (B) and screw into hinge bushes.

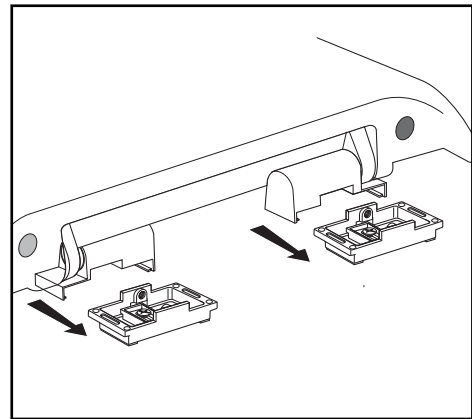
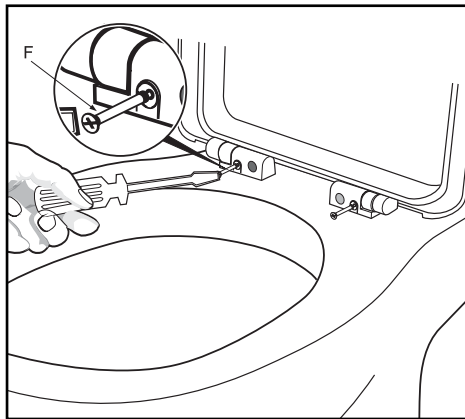
Do not fully tighten at this stage as adjustment will be required.

4. Slide hinges attached to seat and cover onto hinge carriers and adjust position so seat sits squarely on pan.



5. Carefully remove seat and cover and securely tighten screws (E).  
Replace seat and cover

5. With seat and cover in upright position locate and tighten hinge screws (F).



### **Product Care**

All our products are designed, manufactured and supplied to give many years of reliable service, provided they are properly maintained and cared for.

These are our recommendations to make sure that your bathroom stays looking good:

#### **Plastic WC Seats**

##### **Do's**

Clean immediately after use to stop a build up of dirt and scale.

Use warm soapy water, Cif cream cleaner or Domestos Multi Active surface cleaner.

Polish out minor scratches and abrasions with a mild polishing compound.

##### **Don't**

Never leave pools of soap, shampoo or cleaning detergent (please see above) – these can cause permanent stains.

Never let cigarettes/flames near - your seat can burn and melt.

Never use household chemicals – a range of products such as paint stripper, nail varnish remover, household bleach, perfume, aftershave or strong disinfectant.

We cannot recommend the use of any scouring products or cream cleaners other than Cif.

Never mix different cleaners on your seat – they can react to give off poisonous gas.

## **Product Guarantee**

# **5 YEARS**

**Toilet seat and cover**

This covers products in domestic use by the consumer and not commercial or business use.

All Ideal Standard products must be installed, used and cared for in line with our fixing instructions, local water byelaws and current water regulations.

Access to our products for installation, service or repair and costs relating to this is the owners or installers' responsibility.

Parts are guaranteed for five years and will be replaced if found faulty.

This guarantee does not cover general wear and tear.

Applies to the UK and Republic of Ireland only.

**CUSTOMER CARE HELPLINE**

**0870 1258905**

**FAX LINE 01482 499611**

**email: [ukcustcare@IdealStandard.com](mailto:ukcustcare@IdealStandard.com)**

---

We pursue a policy of continuing improvement in design and performance of our products. The right is, therefore, reserved to vary specifications without notice.