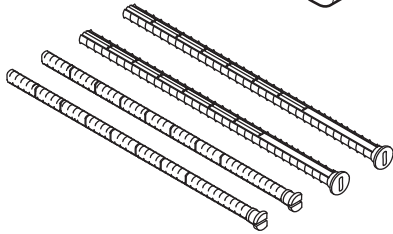
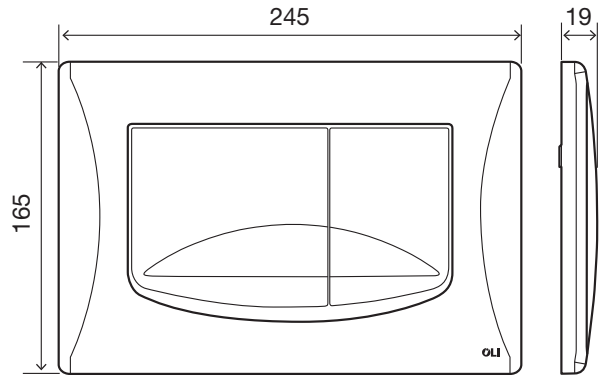
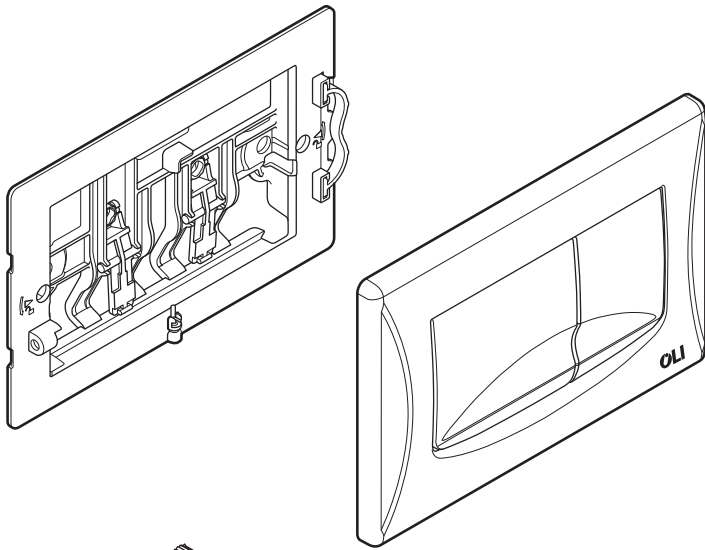
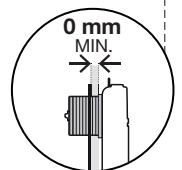
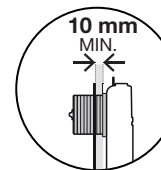
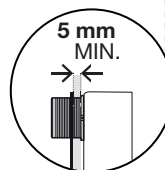
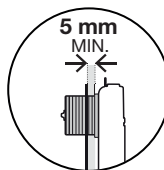
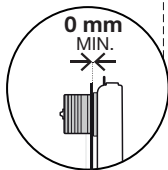
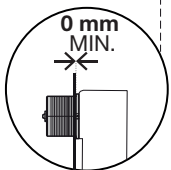
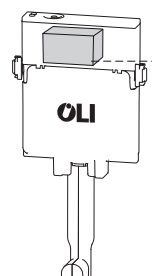
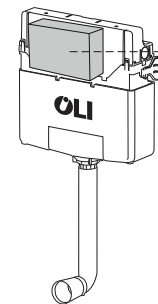
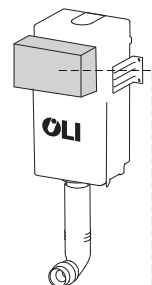
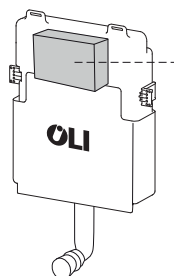
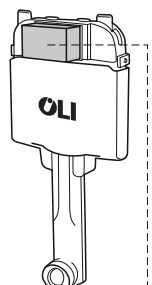
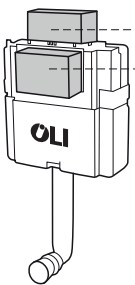
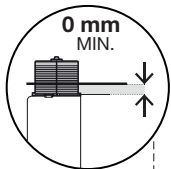


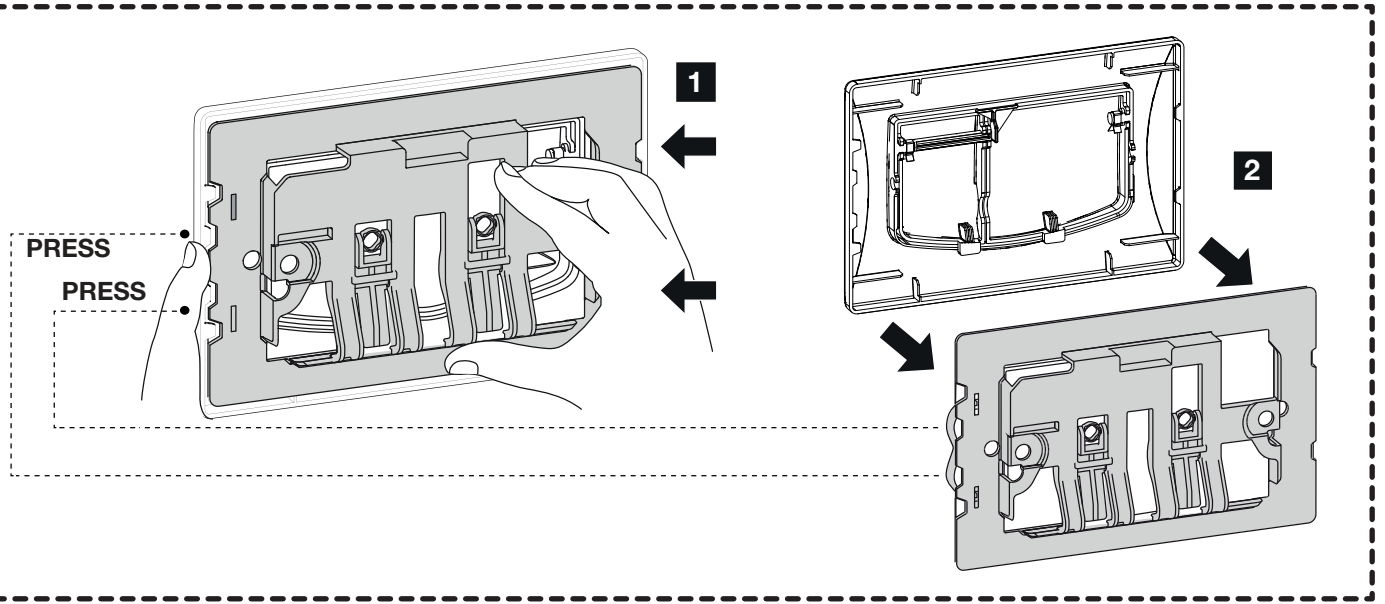
RIVER DUAL

MECHANICAL



(dimensions in millimeters)

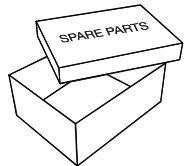
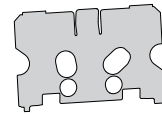
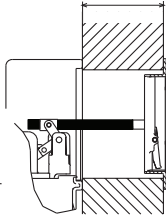
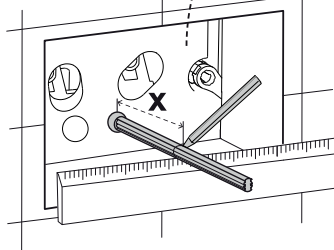
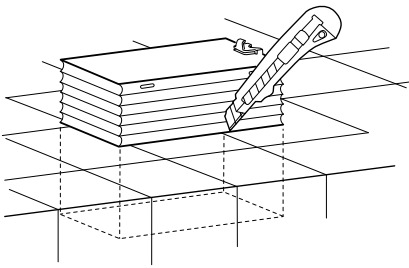




1A

TOP

$X < 30\text{mm}$



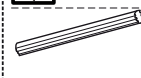
x2



x2



$\leftarrow X + 10\text{mm} \rightarrow$



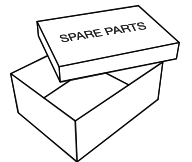
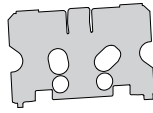
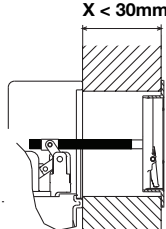
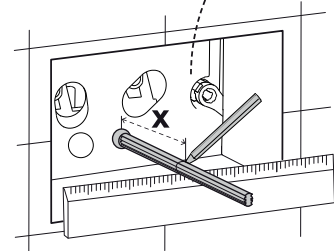
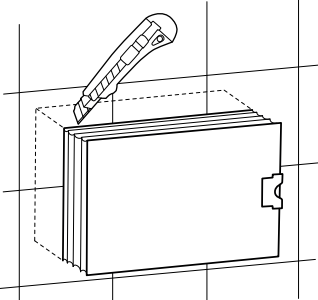
$\leftarrow X + 75\text{mm} \rightarrow$



1B

FRONT

$X < 30\text{mm}$



x2



x2



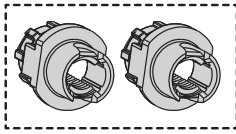
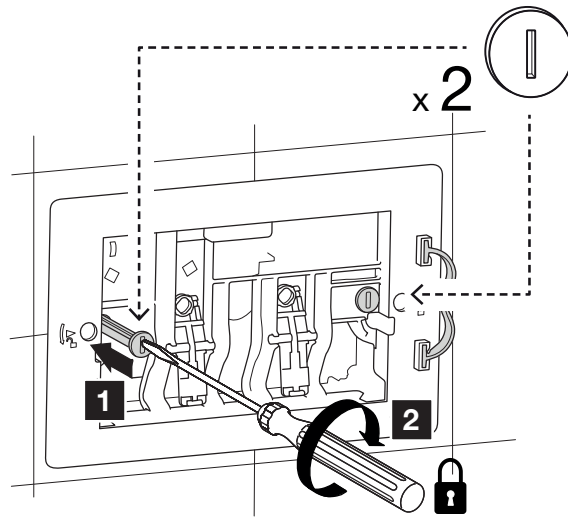
$\leftarrow X + 45\text{mm} \rightarrow$



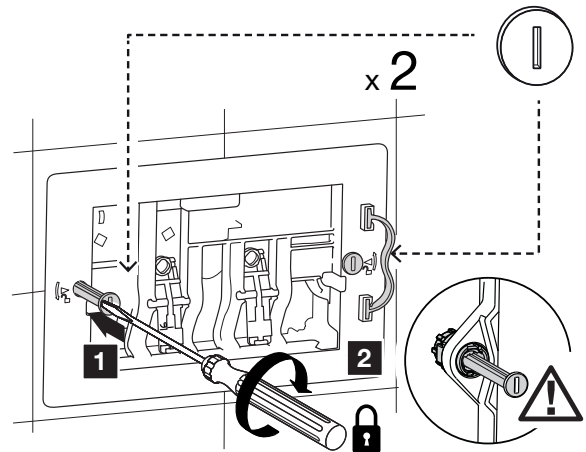
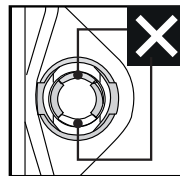
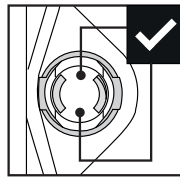
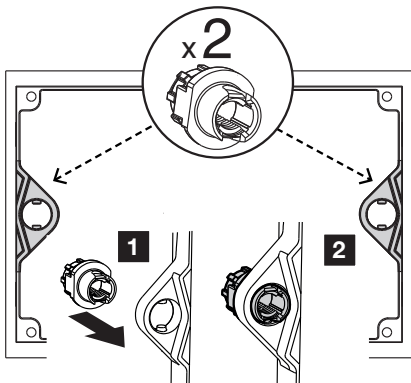
$\leftarrow X + 30\text{mm} \rightarrow$



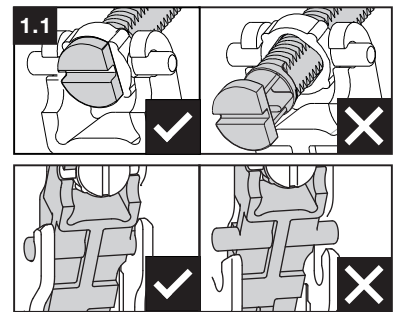
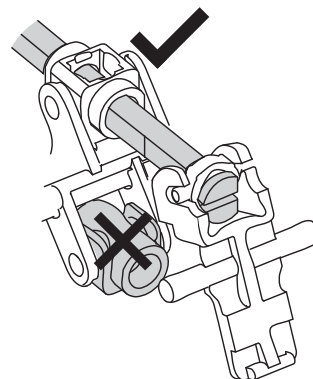
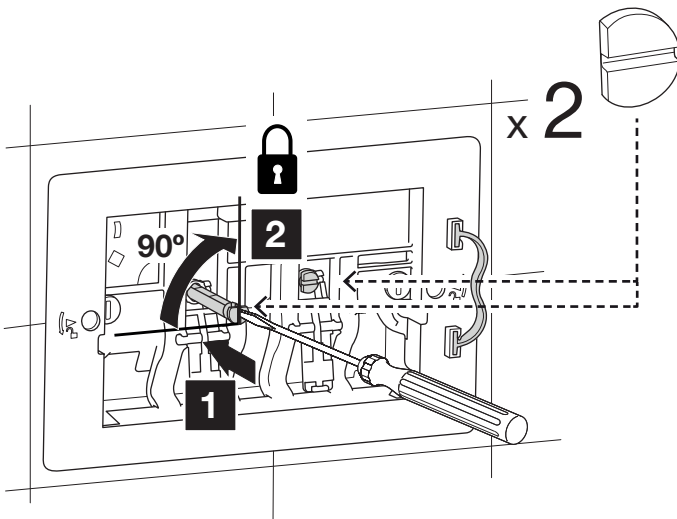
2



Cod.037152
Fixation kit <09
Order separately



3



4

