

Figure 7 Sandringham sl bath shower mixer general assembly

Ref.	Description
1	Handle
2	Grub screw
3a	Red handle index
3b	Blue handle index
4	Sleeve retaining screw
5	Sleeve
6a	3/4 SE ceramic disc cartridge hot
6b	3/4 SE ceramic disc cartridge cold

Ref.	Description
7	Flow straightener
7a	Aerator (not supplied)
8	Gasket
9	3/4in backnut
10	Diverter valve s/assy
11	Diverter valve spring
33	Handspray
34	Flexible shower hose
35	Showering station

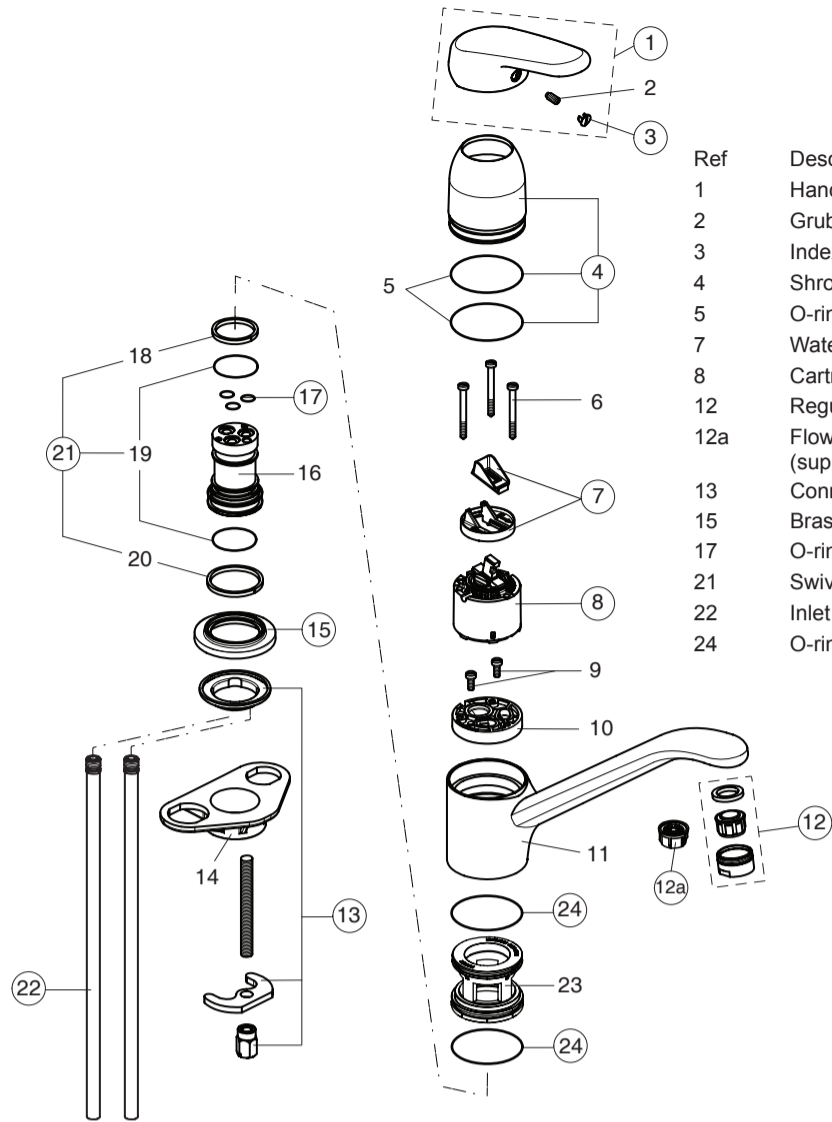


Figure 8 B4449AA Sandringham single lever swivel spout kitchen mixer

Ref	Description
1	Handle Complete
2	Grub screw
3	Index button
4	Shroud plus o-rings
5	O-rings for shroud
7	Water saving "Click" mechanism
8	Cartridge
12	Regulated aerator 5l/min
12a	Flow straightener insert (supplied separately)
13	Connecting set
15	Brass rosette
17	O-ring set
21	Swivel spout service kit
22	Inlet tails
24	O-ring set

## SANDRINGHAM SL

Water saving "CLICK" feature on single lever fittings



CUSTOMER CARE HELPLINE

**0870 129 6085**

CUSTOMER CARE FAX

**01482 499611**

E-MAIL

[UKcustcare@IdealStandard.com](mailto:UKcustcare@IdealStandard.com)

Armitage Shanks pursues a policy of continuing improvement in design and performance of its products. The right is therefore reserved to vary specification without notice.

Armitage Shanks is a division of Ideal Standard (UK) Ltd

Armitage Shanks  
The Bathroom Works, National Avenue  
Kingston-upon-Hull, HU5 4HS England

### Installation Instructions

**B4447 Basin Mixer, Single Lever with P/U Waste**

**B4448 Bidet Mixer, Single Lever**

**B4449 Kitchen Mixer, Single lever**

**E5068 Bath/Shower Mixer + Shower Kit**

**E5069 Bath Filler**

**B6815 Basin Mixer, Single Lever without P/U Waste**

**B9208 Basin Mixer, Single Lever without P/U Waste**

**S7373 Basin Mixer, Single Lever with weighted chain**

**INSTALLER: After installation please pass this instruction booklet to user**

## 2 WATER SUPPLY AND OPERATION

The fittings covered by this installation and maintenance instruction should be installed in accordance with the water regulations published in 1999\*, therefore Armitage Shanks would strongly recommend that these fittings are installed by a professional installer

\*A guide to the Water Supply (Water fittings) Regulations 1999 and the Water Byelaws 2000, Scotland is published by WRAS (Water Regulations Advisory Scheme) Fern Close, Pen-y-Fan Industrial Estate, Oadkdale, Newport, NP11 3EH. ISBN 0-9539708-0-9

### WATER SUPPLIES

All mixer fittings are supplied with a flow straightener in the spout except the basin mixers B4447AA, B9208AA and kitchen mixer B4449AAA. When fitting on pressures in excess of 1.0 bar it is recommended that an aerator (not supplied) should be substituted. These are available from Ideal Standard stockists:

Bidet A960931AA

Bath fittings A960309AA.

B4447AA, B9208AA and kitchen mixer B4449AAA have a 5 litre/min regulated aerator (B960754AA) with a flow straightener insert (A962713NU) supplied separately. When fitted on pressures below 1 bar it may be preferable to substitute the aerator with a flow straightener insert.

It is recommended that the hot and cold supply pressures are reasonably balanced and from a common source.

### CONNECTIONS

The connections to the fittings are as follows:

Basin&d Bidet fittings: **10mm copper tails**

Bath fittings: **G3/4**

### OPERATION

The basin and bidet fittings operate using a single lever mechanism which permits a more fluent control of water flow and temperature.

The bath fittings use quarter turn cartridges allowing a smooth operation which can be easily adjusted.

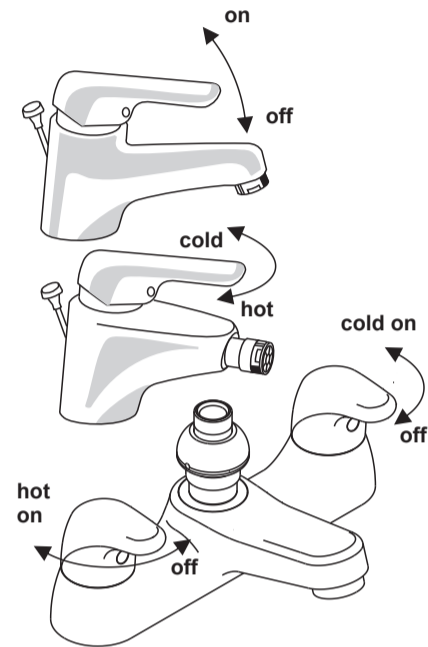


Figure 1

## 3 WATER ECONOMY AND LIMIT STOP

### WATER ECONOMY

The Sandringham SL single lever basin and bidet fittings incorporate a water saving mechanism known as the "CLICK" cartridge. Commonly users of single lever cartridges were found to raise the flow control lever fully causing an over-use of water. The "CLICK" mechanism was developed as a tactile guide to make it easy to open the valve to a gentle rate when a lesser flow is required.

As the lever is raised an obvious resistance is felt when it is about half way up. Raising the lever past this resistance permits the cartridge to be opened fully.

The mechanism consists of two parts. An outer ring and a shoe (see fig 2).

To remove, slide off shoe. The click ring can then be snapped off by placing a screwdriver under and prising upwards.

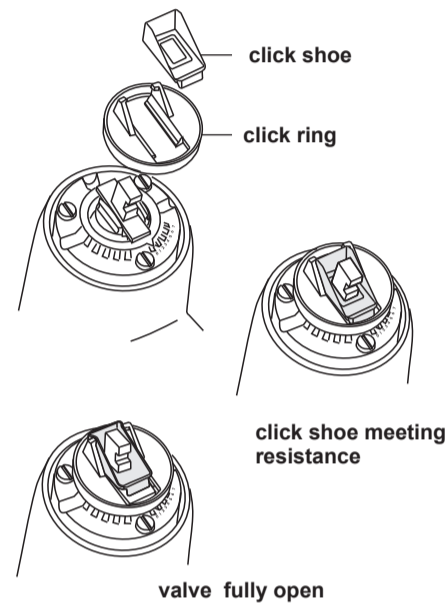


Figure 2

### SETTING THE BLEND CONTROL

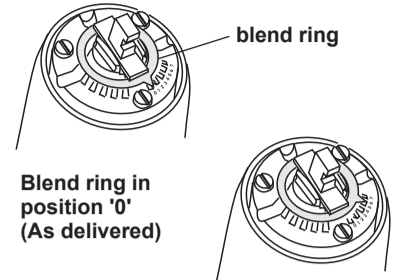


Figure 3

The Sandringham SL single lever basin and bidet fittings incorporate a blend control. This is a simple mechanical limit stop, located under the single lever handle, which restricts the angle to which the handle can be rotated towards the full hot position.

To set it, the hot water system should be operating and the hot water up to normal working temperature.

A thermometer will be required to measure the maximum blend temperature. (Refer to drawing on page 5)

1. Remove the handle (1) & shroud (4).
2. Remove the two-part 'CLICK' mechanism (6a) see opposite.
3. The blend ring, which is factory set in position '0' can then be prised up and rotated to the desired setting. There are 8 positions (0-7), the higher the number the lower the maximum blend temperature.
4. Push the blend ring back down to lock in its new position.
5. Operate the fitting and rotate the handle as far as it will go to the left. Measure the water temperature and make further adjustments as necessary.
6. Refit 'click' mechanism, shroud and handle.

## 4 MAINTENANCE

The unique ceramic disc cartridge contains ultra smooth ceramic discs. They are so hard that they always remain sealed together, polishing one another in use, and sand, sediment and other waste borne matter cannot get between them or damage them. Even the hardest water has no effect and this means that the Sandringham SL fittings should give many years of efficient, trouble free service without the drip and liming up problems associated with traditional taps.

However, in the unlikely event of a failure, or any problem, simply exchange the cartridge. First check the outlet nozzle for possible blockage due to a build-up of debris from the pipework.

### Basin and Bidet Fittings

1. Turn off both hot and cold water supplies.
2. Raise lever handle fully, remove plastic index cap (3) and undo grub screw (2).
3. Pull off shroud (4).
4. Remove click mechanism components (6a).
5. Undo screws (5). The cartridge can then be lifted out.
6. Ensure seals (7) have been removed with the cartridge.
7. Position new cartridge ensuring the location peg engages in the appropriate hole and reverse the procedure for assembly.

### CARTRIDGE REPLACEMENT

#### Bath Fittings

1. Turn off both hot and cold water supplies
2. Remove index buttons (3)
3. Undo grub screws (1) using an Allen key
4. Pull off handles (1)
5. Slacken screw (4) and pull off drive insert (5)
6. Unscrew cartridge (6) and replace with the new one
7. Reverse the procedure for assembly

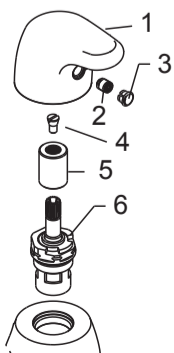


Figure 4 Bath fittings

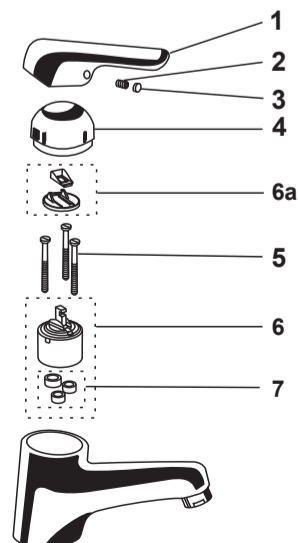
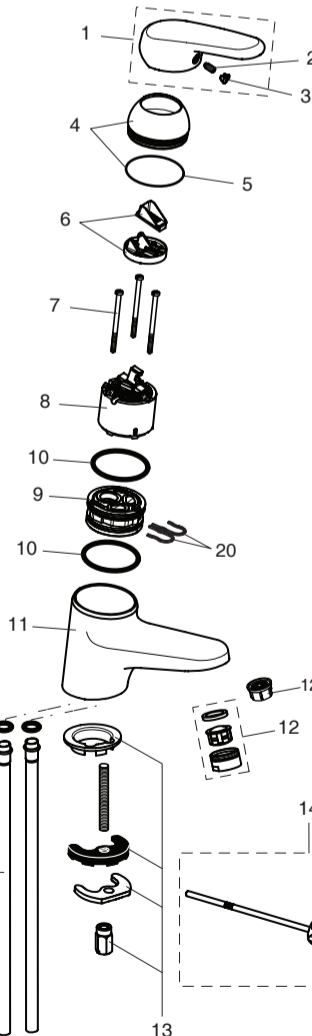


Figure 5 Basin, bidet and kitchen monoblocks

## 5 BASIN & BIDET SINGLE LEVER MIXERS



Ref.	Description
1	Lever, w/logo-compl.
2	Screw M5x10
3	Cap(Blue/Red)
4	Rosette-compl.
5	O-Ring 40x1
6	Volume stop
7	Screw M4x62
8	Cartridge 47mm,USA
9	Insert NORYL
10	O-Ring 44x2
11	Body basin
12	Aerator M24x1-set
12a	Flow straightener M22/M24 housings
12a	Reprise basin mixer nozzle
13	Connecting set
14	Pop-up ass.
15	Copper tube 10.5x10x395
16	O-Ring 10x2.5
17	Pull-up rod-compl.
18	Pop up waste shackle
19	Ball joint M24x1
20	Clip

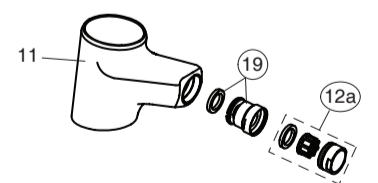


Figure 6b B4448 Sandringham single lever bidet mixer

Figure 6a B4447, B6815 & B9208 Sandringham single lever basin mixers