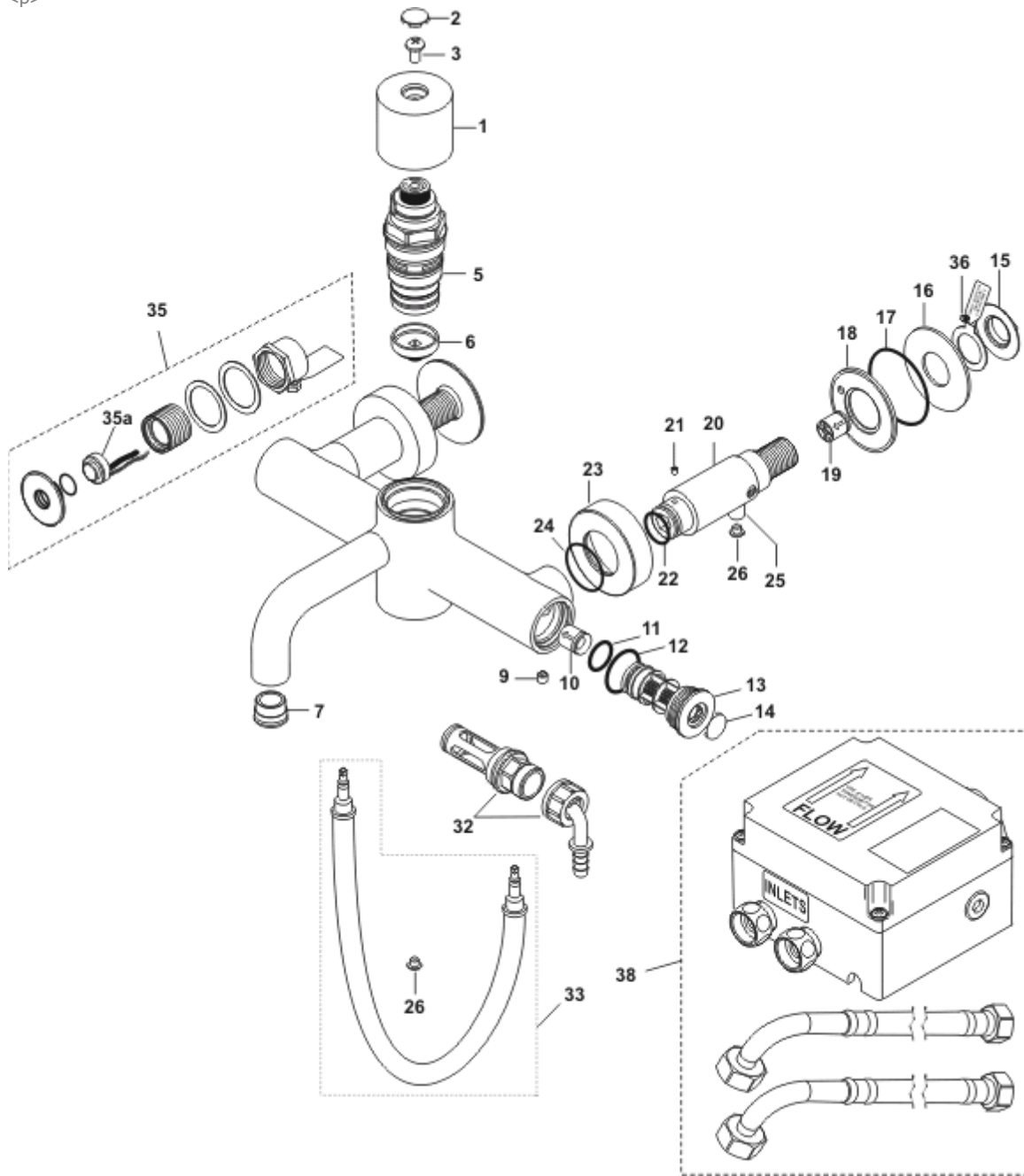


ARMITAGE SHANKS MARKWIK NEW S8252AA SEQUENTIAL THERMOSTATIC MIXER PROXIMITY TIMED FLOW
PANEL MOUNTED

<P>



Ref.	Description	Part No.
1	Lock shield	E908488AA
2	Cover cap	E907042NU11
3	Handle screw	E918351NU
3a	Handle index kit (includes 2 & 3)	E960615AA
5	Sequential, thermostatic cartridge	E960575NU
6	Cartridge seat insert	E960664NU
7	Antisplash	A924305
9	Grub screw M6 x 6	E91830067
10	Combined check valve & flow regulator CV15FR	E910213NU
11	O-ring dia 17.6 x 2.4	E912659NU
12	O-ring dia 27.6 x 2.4	E912706NU
13	End cap, Maint carrier & filter	E950507NU
14	Index button	E960641AA
15	Backnut	E960112NU
16	Slip washer dia 60 x 25 x 2	E960631NU
17	O-ring 51.6 x 2.4	E960632NU
18	Wall plate	E960633NU
19	Check valve DW15	A952849
20R	Straight inlet tail with maintenance / disinfecting valve RH	E960646AA
20L	Straight inlet tail with maintenance / disinfecting valve LH	E960647AA
21	Grub screw M4 x 6	E91831067
22	O-ring dia 19.6 x 2.4	E912623NU
23	Screw-on wall escutcheon	E960638AA
24	O-ring dia 34.1 x 1.6	E912624NU
25	Sterilising nipple assembly (fit hand tight only)	E950534AA11
26	Dust cover	E909600NU
28p	Off-set inlet tails - pair (to convert S8243 style)	E960610AA
35	Timed flow proximity sensor	E500540AA
36a	Earthing connector - sensor	E922291NU
36b	Washer earthing tag	E2221567
38	Solenoid control box complete with connection hoses (includes IR sensor)	A3811NU
32	Purging kit (available separately)	S8214AA
33	Disinfection kit (available separately) - Includes dust cap	S8239NU
35a	Sensor Infra-Red complete with wire	E960677NU
37	Remote programming unit (available separately)	A961765NU
39	Unisilkon GB2 grease (available separately)	E960596NU
50	Test kit for engineers use only	A960595NU

NB -- colour/finish options

Chrome = AA
