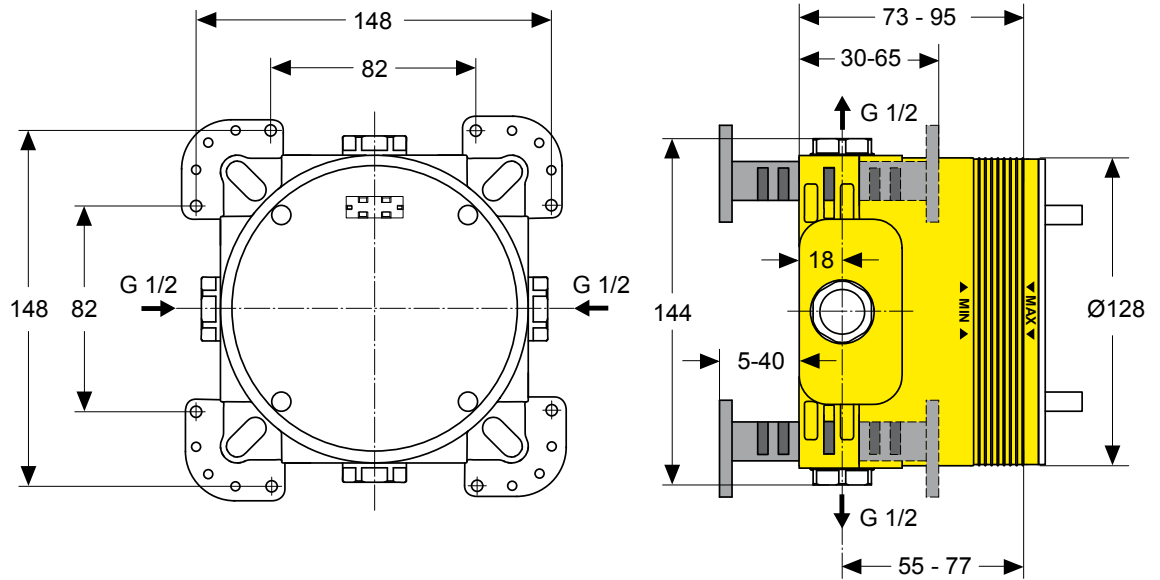
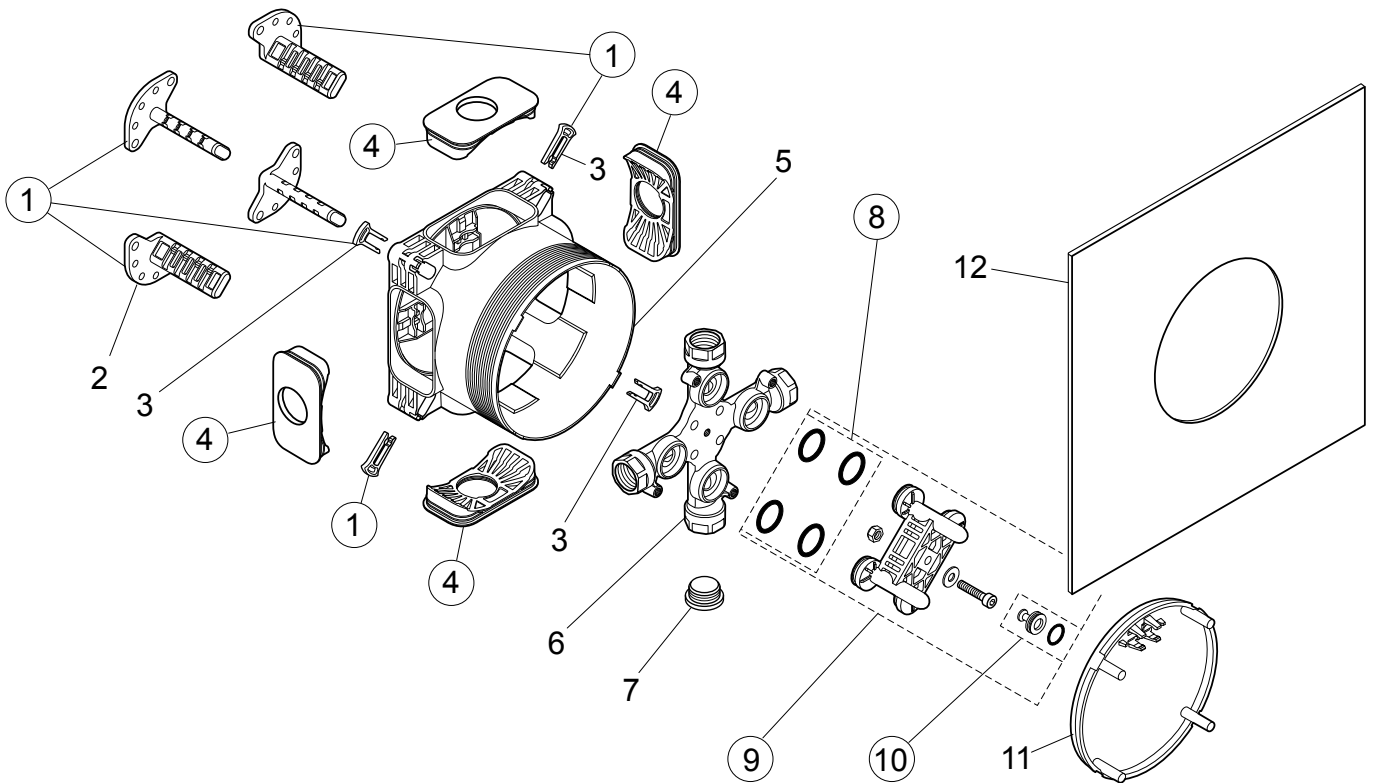


Produced from: July 2009



Pre-installation kit 1 **A1000NU**



Pos.	Description	Part-Number	Qty.	Pos.	Description	Part-Number	Qty.
1	Installation depth adjustment with clips	A 963 131 NU	1 Set	7	Plug G1/2		
2	Depth adjustment device			8	O-ring Ø 17 x 2,5	A 963 143 NU	1 Set
3	Adjustment lock (contained in pos. 1)			9	Flushing device with Screw, washer + sealing set	A 963 146 NU	1 Set
4	Side sealing	A 963 132 NU	1 Set	10	Plug with o-ring Ø 12x1,5	A 963 147 NU	1 pcs
5	Built-in box			11	Cover for built-in box		
6	Multi-way body			12	Sealing fleece		