



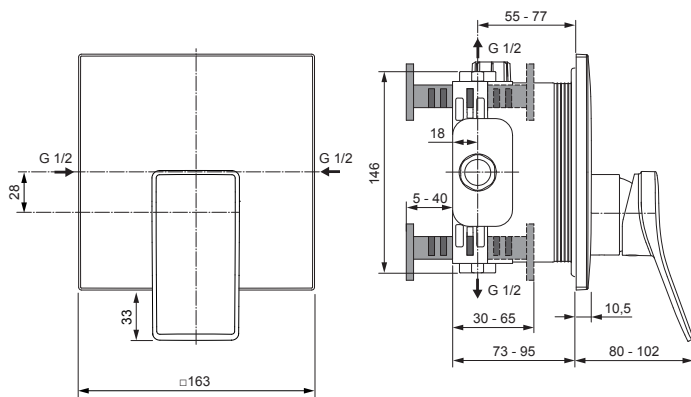
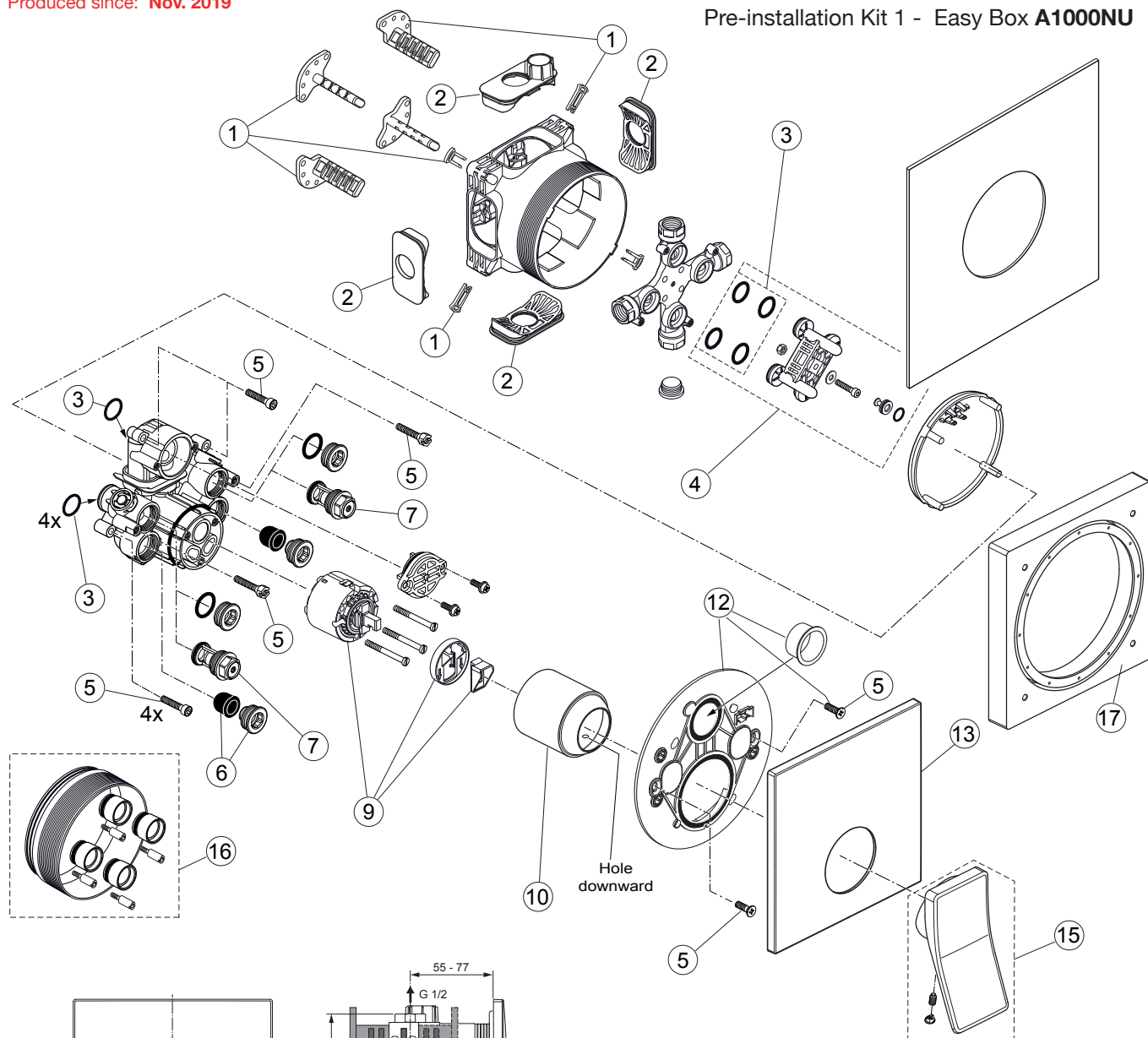
Conca

A7373..

Ideal Standard

Produced since: **Nov. 2019**

Pre-installation Kit 1 - Easy Box A1000NU



Body and Designparts Kit 2 - A7373AA

Replace XX with the appropriate finish code

Chrome = AA Silver Storm = GN Gold = A2 Magnetic Grey = A5

Example spare part order:

A 861 441 AA in Chrome

Pos.	Description	Part-Number	Qty.	Pos.	Description	Part-Number	Qty.
1	Install. depth adjust.	A 963 131 NU	1 Set	13	Escutcheon w Logo	A 861 442 XX	1 pcs
2	Side sealing	A 963 132 NU	1 Set	15	Lever cpl.	A 861 443 XX	1 Set
3	O-ring Ø 17 x 2,5	A 963 143 NU	1 Set	16	Extension kit 20mm	A 960 704 NU	1 Set
4	Flushing device cpl.	A 963 146 NU	1 Set		Extension kit 40mm	A 962 476 NU	1 Set
5	Screw set complete	A 960 890 NU*	1 Set	17	Distanzframe 20mm	A 861 444 XX	1 Set
6	Low noise insert	A 960 891 NU	1 pcs	<i>*Universal set (not all parts needed)</i>			
7	Stop valve	A 960 706 NU	2 pcs				
9	Cartridge with ECO-kit	A 960 500 NU	1 Set				
10	Cover cap	A 861 441 XX	1 pcs				
12	Escutcheon holder cpl.	A 860 897 NU	1 Set				