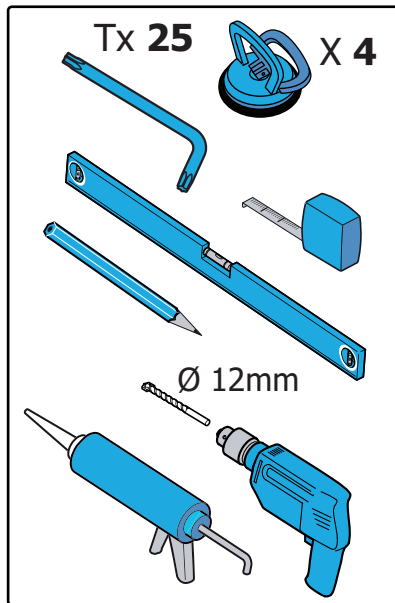
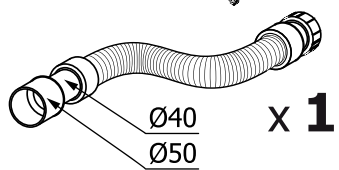
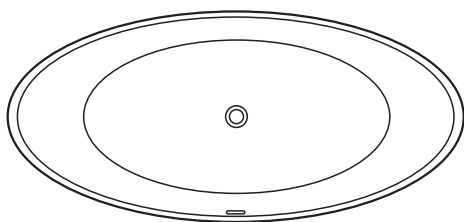
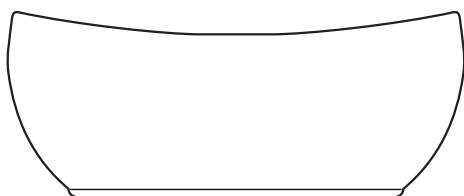


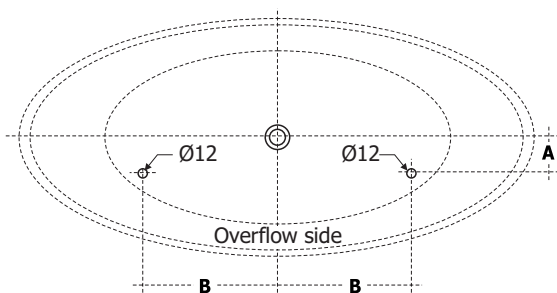
Vipava Freestanding _____ sottini

1

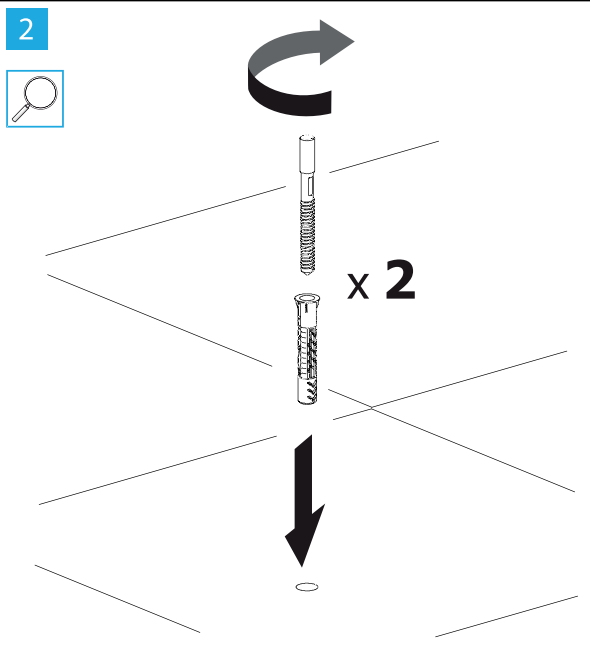
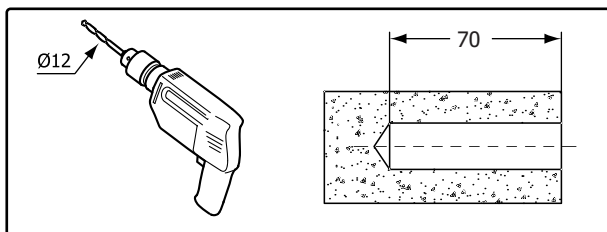
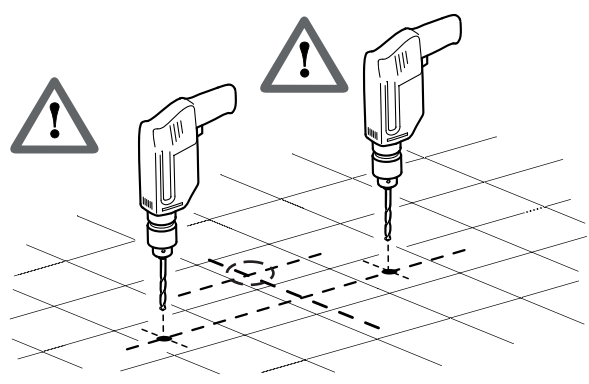
COMPONENTS



1



Vipava Freestanding	A	B
180 x 84	120	470



2

