

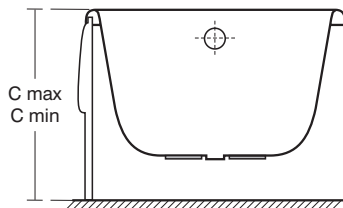
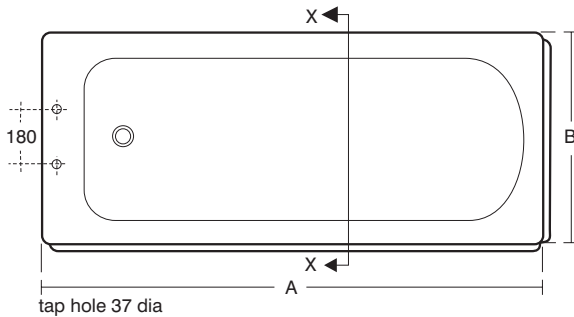
IDEALFORM ACRYLIC BATHS

sottini

Installation Instruction

S292 08/16
EE72531867

TECHNICAL INFORMATION



Section X - X

Figure 1

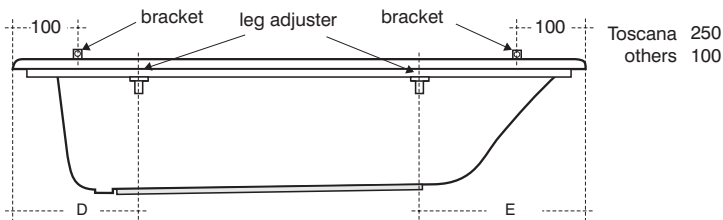


Figure 2 centres of leg adjusters

All dimensions shown in millimetres.
Dimensions shown may vary within permitted tolerances.

BATH CONDITION

Before commencing installation, carefully remove packaging/protective film and check for damage. If damaged, report immediately to supplier.

The bath should be fully protected during the installation process.

Fig. 1 illustrates baths fitted with Sottini rigid panels.

Appropriate safety equipment/workwear should be used

	A	B	C Max	C Min	D	E	Tap holes	Water. capacity to overflow litres	Panel type A or B
Alchemy 75	1695	745	550	510	380	420	0	220	A
Cadena	1695	695	540	500	370	495	0	190	A
Carré	1695	795	555	520	395	600	0	218	A
Cipriani	1695	695	540	500	390	495	0	190	A
Cosia 170x70	1695	695	540	500	380	400	0	206	A
Cosia170x70 D/E	1695	695	540	500	410	410	0	181	A
Cosia 170x75	1695	745	540	500	380	400	0	226	A
Cosia170x75 D/E	1695	745	540	500	420	420	0	185	A
De Lazlo	1695	695	540	500	370	495	0	190	A
Fiori	1695	695	540	500	370	495	0	190	A
Lato 170x70	1695	695	610	580	420	560	0	175	A
Lato 170x75	1695	745	610	580	420	560	0	195	A
Lato 170x75 D/E	1695	745	610	580	510	510	0	178	A
Lato 180x80 D/E	1795	795	610	580	560	560	0	220	A
Lato 170x70 WS	1695	695	540	510	350	530	0	139	A
Mavone 170x70	1695	695	540	510	450	450	0	181	A
Mavone 170x75 D/E	1695	745	540	510	430	430	0	180	A
Oracle	1695	695	540	520	390	495	0	190	A
Rimini	1695	795	540	480	500	550	0	168	A
Santorini 170x70	1695	695	540	500	390	450	0	174	A
Santorini 170x75	1695	745	540	500	390	460	0	192	A
Santorini 170x75 D/E	1695	745	540	500	470	470	0	174.5	A
Secrets 70	1695	695	540	520	400	500	0	190	A
Secrets 75	1695	745	540	520	390	430	0	205	A
Toscana 70	1695	695	560	520	375	500	0	190	A
Toscana 80	1695	795	560	520	400	500	0	210	A

INSTALLATION

1. Lay bath face down and remove legs and bags containing feet etc. (Note: Tonic waste is boxed separately.)

The 4 black - No. 8 x 40 long countersunk crosshead self tapping screws removed from the bath are NOT REQUIRED.

2. Locate leg adjusters on bath frame and mark positions for the fixing screws. Note: If fitting wooden panels, locate outside face of leg adjuster flush with outside face of frame. Pilot drill the holes in the bath frame and fix leg adjusters to frame.

3. Locate bath legs in leg adjusters and mark positions for the fixing screws on the base board. Pilot drill the holes in the base board, to a depth of 6mm maximum. Position legs in leg adjusters and on base board and secure. Locate No. 8 x 12 long pan head self tapping screw into leg adjuster and tighten.

DO NOT OVER TIGHTEN.

4. Locate centre support bracket, mark screw hole positions, pilot drill holes in base board, to a depth of 6mm maximum, and secure bracket.

5. Fix the feet and adjust to give approximate floor to top of rim height. Trial fit the panel(s) to verify height is correct. Note: Untrimmed panel fitment requires the maximum height adjustment (C max Fig1). Remember to allow for floor covering thicknesses and uneven floors.

6. Fit supply and waste fittings. If the bath is to be installed with a monoblock mixer a special hole (or holes) is required to accommodate the mixer and will have to be cut by the installer in an appropriate position on the rim of a no tap hole bath to suit the bathroom layout. Full details or a template for cutting the hole (or holes) is supplied with monoblock fittings. A template for cutting two tap holes in a no tap hole bath is supplied with the bath. Cut tap holes, and fit supply fittings, waste, overflow and trap. When using a monoblock fitting, the area directly behind the pop-up waste mechanism should be avoided. Cutting two tap holes in a no tap hole bath is supplied with the bath. Cut tap holes, and fit supply fittings, waste, overflow and trap.

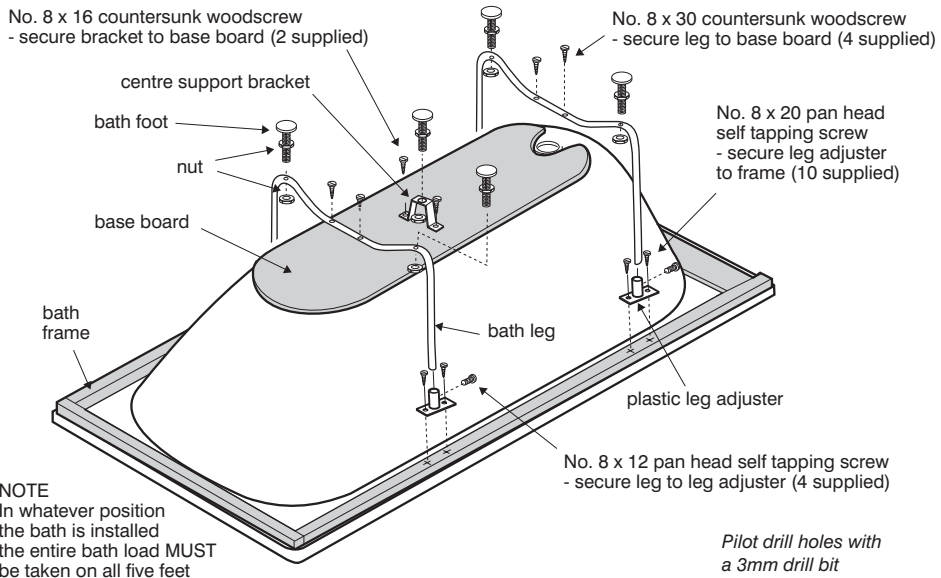


Figure 3

7. Fit hand grips (where supplied)
See Figures. 4 & 5. Use appropriate mounting method.

Oracle, Fiori and Cadena baths are supplied drilled for the hand grips to be fitted on site. Hand grips can be removed from the bath by removing grub screws (see Figure 4), with Allen key supplied).

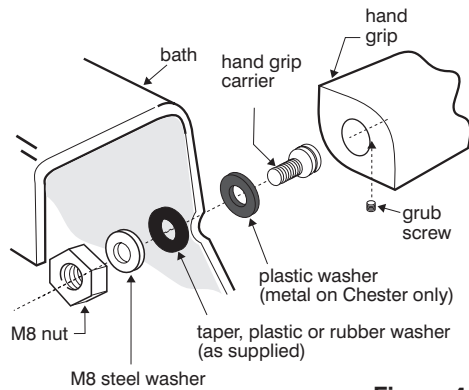


Figure 4

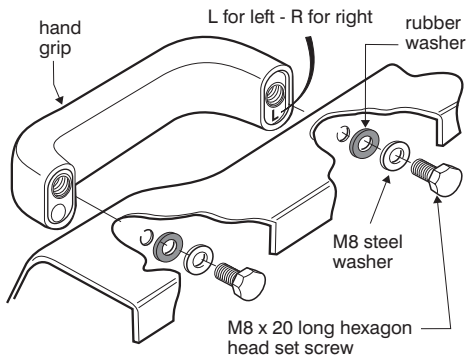


Figure 5

8. Fix the two wall fixing brackets to bath frame as indicated in Figure 6. Pilot drill holes in frame before fixing brackets.

Note : If wall bracket fitment is not possible, then the use of wooden battens is recommended for rim support.

9. Fix bath to wall (Figure 6).

10. Fix bath to floor and ensure that all nuts are tight.

11. Connect services, test for satisfactory operation of fittings and ensure there are no leaks.

12. Tile down to the height of the bath rim leaving a 3-4mm gap for waterproof sealant, see Figure 6. An extruded sealing strip can be used for the bath to wall joint as an alternative to waterproof sealant. Protect bath during tiling and uneven floors.

WARNING
DO NOT fix hand grips in any oil based bedding compound or putty.
These materials contain solvents which will damage the hand grips irreparably.

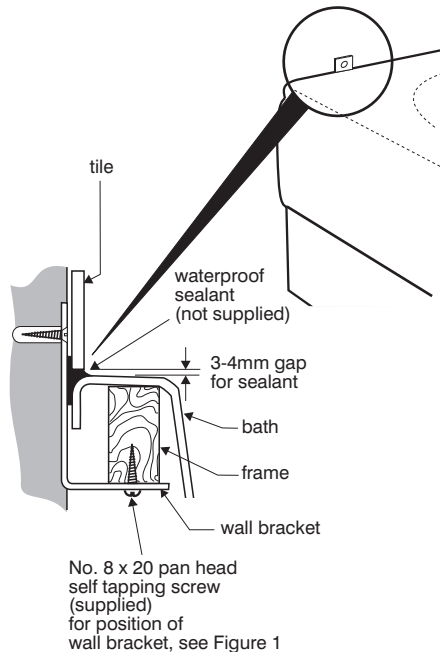


Figure 6

13. FIT PANEL(S) Refer to Table 1 for panel type.

PANEL TYPE 'A'

14. Fit panel(s) Attach the lengths of PVC cushioning strip to the top edge(s) of the panel(s) (three on the front panel and two on the end). Fit panel(s) (end panel first where

appropriate) by pushing the top edge under the bath rim, Figure 7.

15. Panels can be reduced in height by cutting a strip from the bottom edge, for heights see Figure 1. Timber floor battens are not supplied but are necessary to secure the panels. Screw battens to the floor.

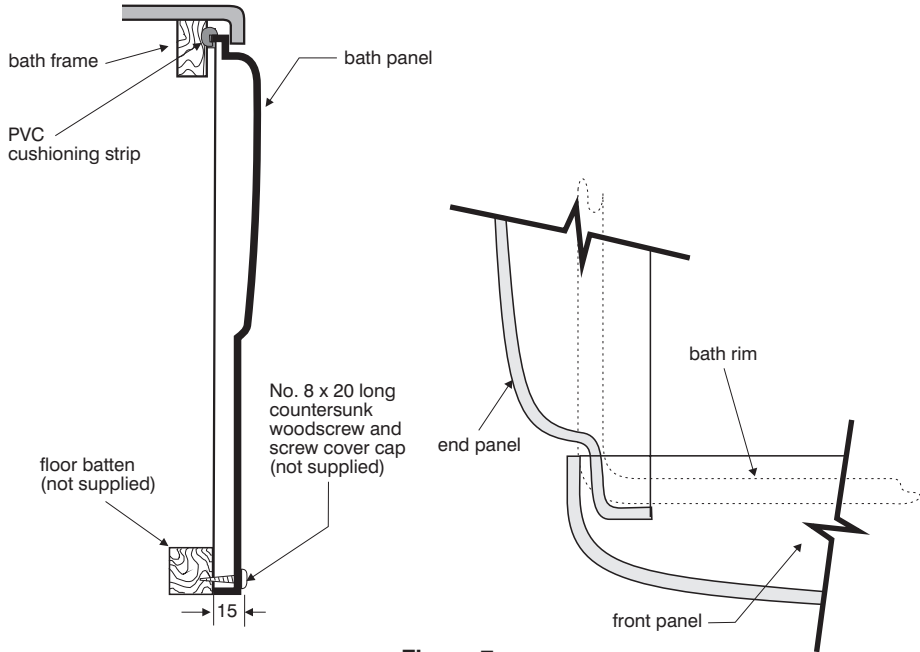


Figure 7

PANEL TYPE 'B'

End panels must be fitted before front panels.

Ensure that the bath is fitted and levelled to the correct height(see table),measured from the floor to the top of the bath roll.

Drop a plumbline from the corner of the bath and mark the floor corresponding to the outline of the bath.

From this line measure back:the thickness of the panel.

Screw retaining clips, evenly spaced onto the wooden frame behind the bath roll.

Insert top of the end panel between the bath roll and retaining clips and push the bottom of the panel against the batten, Figure 9. Repeat procedure for the front panel.

When both panels are correctly positioned, in relation to the bath's corners, secure panels to battens.

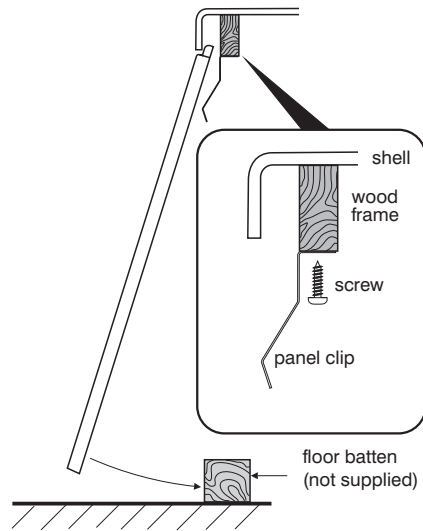


Figure 8

WOODEN PANELS

16. Installation details for fixing wooden panels are supplied with the panels.

CARE OF BATH

This bath left our works in first class condition and the following points should be noted;

TO AVOID DISAPPOINTMENT, PLEASE REMOVE THE PROTECTIVE FILM AND INSPECT BEFORE INSTALLATION.

Responsibility will not be accepted for the installation of faulty baths.

Care of bath - for the installer:

Keep under cover in a clean, dry, weather-proof place.

Do not drop. Protect completely during and after installation (with clean felt etc.).

When making joint to waste, overflow etc. on this product, DO NOT use linseed oil putty or similar based sealing compounds. Ensure rubber washers supplied with waste fittings are located correctly to give watertight seal.

Test the fittings and then do not use the bath for any other purpose.

Please leave this leaflet for the end user to read.

WARNING

- 1. Filling.** It is advisable always to run in some cold water before turning on the hot tap.
- 2. Cleaning.** The bath should always be cleaned immediately after use, preferably whilst the water is running out and the bath is still warm. The film of insoluble soap products, body fats and grime which will otherwise harden on the side of the bath is easily removed at this stage. In hard water districts insoluble lime salts are deposited below the waterline and under leaking taps. If this deposit is allowed to build up, it becomes increasingly difficult to remove and looks unsightly. Prompt cleaning is again the answer. Hot soapy water with a cloth should be used and the bath wiped dry.
- 3. Cleaners of a gritty or abrasive nature should never be used.** Worn washers on dripping taps should be replaced.
- 4. Chemicals.** Acrylic has good resistance properties to acids and alkalis but should not be allowed to come into contact with organic solvents such as dry cleaning agents and paint strippers.
- 5. Removal of scratches.** In the event of slight scratches in the bath surface a mild abrasive, similar to metal polish, can be used to polish these out.
- 6. Burning cigarettes** should not be allowed to come into contact with the surface of this bath or damage may ensue.

Product Guarantee

2 5 Y E A R S

Idealform Acrylic baths

1 0 Y E A R S

Shower enclosures and bath screens

5 Y E A R S

**Valves and kits, bath panels
taps and mixers**

This covers products in domestic use by the consumer and not commercial or business use.

All Ideal Standard products must be installed, used and cared for in line with our fixing instructions, local water byelaws and current water regulations.

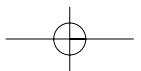
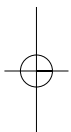
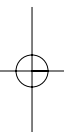
Access should always be left for installation, service and repair.
Any relating costs are the responsibility of the owner/installer.

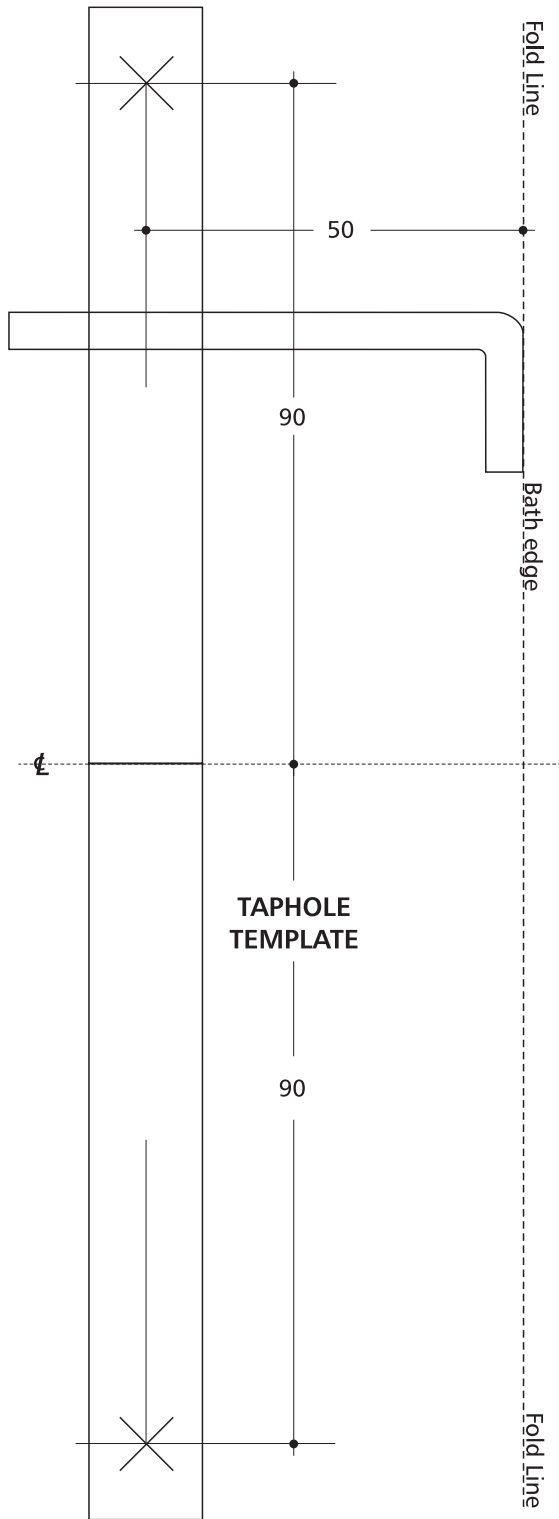
Guaranteed parts will be replaced if found faulty.

This guarantee does not cover general wear and tear.

Applies to the UK and Republic of Ireland only.

Proof of purchase will be required for any warranty claim.





sottini

The Bathroom Works,
National Avenue,
Kingston upon Hull,
HU5 4HS,
England.

Telephone: (01482) 449513
Telefax: (01482) 445886.

CUSTOMER CARE HELPLINE
0870 1296085
CUSTOMER CARE FAX LINE 01482 499611
email: ukcustcare@IdealStandard.com

Sottini pursues a policy of continuing improvement in design and performance of its products. The right is, therefore, reserved to vary specification without notice.

Ideal Standard (UK) Ltd.

S292 08/16
EE72531867