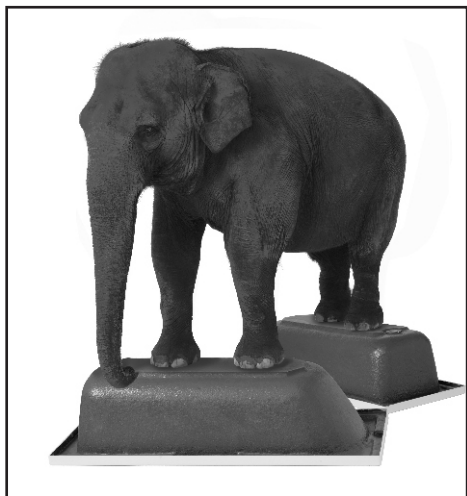




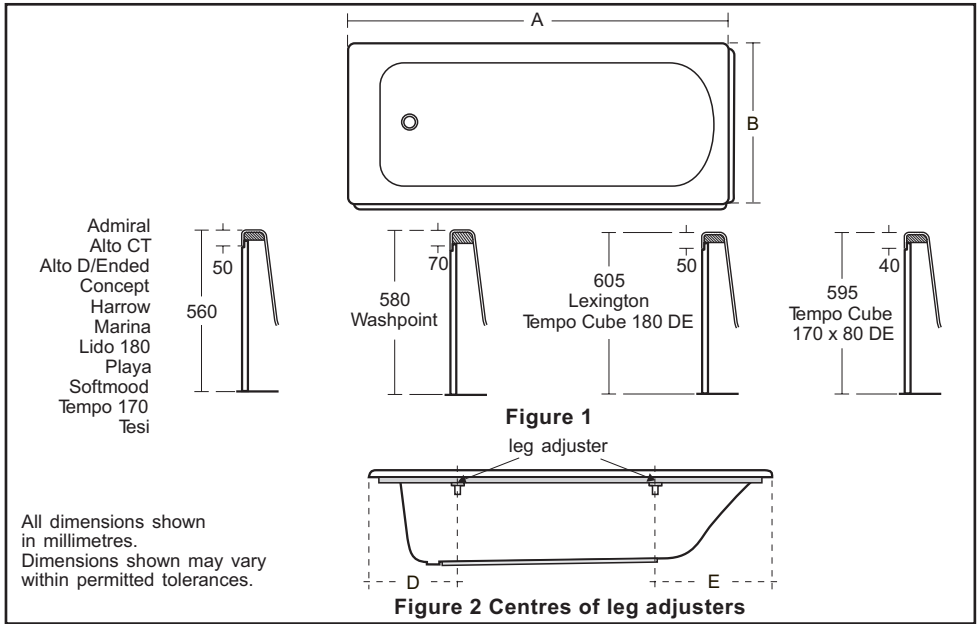
IDEALFORM PLUS+ RECTANGULAR

Installation Instructions

Please pass on to user



IDEALFORM PLUS+ RECTANGULAR



- Admiral
- Alto CT
- Alto D/Ended
- Concept
- Harrow
- Marina
- Lido 180
- Playa
- Softmood
- Tempo 170
- Tesi

	A	B	D	E	Tap Holes
Admiral	1675	690	420	490	0
Alto CT 170	1695	695	420	490	0
Alto CT 150	1495	695	420	490	0
Alto D/Ended	1695	745	490	490	0
Concept 170 Space Maker	1695	695	380/513	520	0
Concept 170x75 DE	1695	745	520	520	0
Concept 170x75	1695	745	380	520	0
Concept 170x70	1695	695	380	520	0
Concept 150x70	1495	695	380	520	0
Concept 170x75 Asym	1695	745	470	470	0
Concept 180x70	1795	695	380	520	0
Concept Air 180x80	1795	795	380	520	0
Harrow 170	1695	695	420	490	0
Harrow 150	1495	695	420	490	0
Marina 170	1695	695	420	490	0
Marina 180	1795	695	420	490	0
Washpoint	1695	745	420	490	0
Lido 180	1795	795	420	490	0
Lexington	1790	795	490	490	0
Playa 160	1595	695	410	520	0
Playa 170	1695	695	410	520	0
Softmood 70	1695	695	420	490	0
Softmood 75	1695	745	420	490	0
Softmood 70 DE	1695	695	490	490	0
Softmood 75 DE	1695	745	490	490	0
Tempo Arc 150x70	1495	695	430	520	0
Tempo Arc 170x70	1695	695	430	520	0
Tempo Arc 170x75 DE	1695	745	430	430	0
Tempo Cube 170x70	1695	695	380	520	0
Tempo Cube 170x75	1695	745	380	520	0
Tempo Cube 170x75 DE	1695	745	450	450	0
Tempo Cube 180x80 DE	1795	795	470	470	0
Tempo Cube 170x80 DE	1695	795	475	475	0
Tesi 160	1595	695	410	520	0
Tesi 170	1695	695	410	520	0
Tesi 170x70 DE	1695	695	510	510	0

IDEALFORM PLUS+ RECTANGULAR

BATH CONDITION

Before commencing installation, carefully remove packaging/protective film and check for damage. If damaged, report immediately to supplier.

Responsibility will not be accepted for damage after installation.

The bath should be fully protected during the installation process.

Fig. 1 illustrates baths fitted with rigid panels. Baths with wooden panel option - see Installation Instructions supplied.

Appropriate safety equipment/workwear should be used

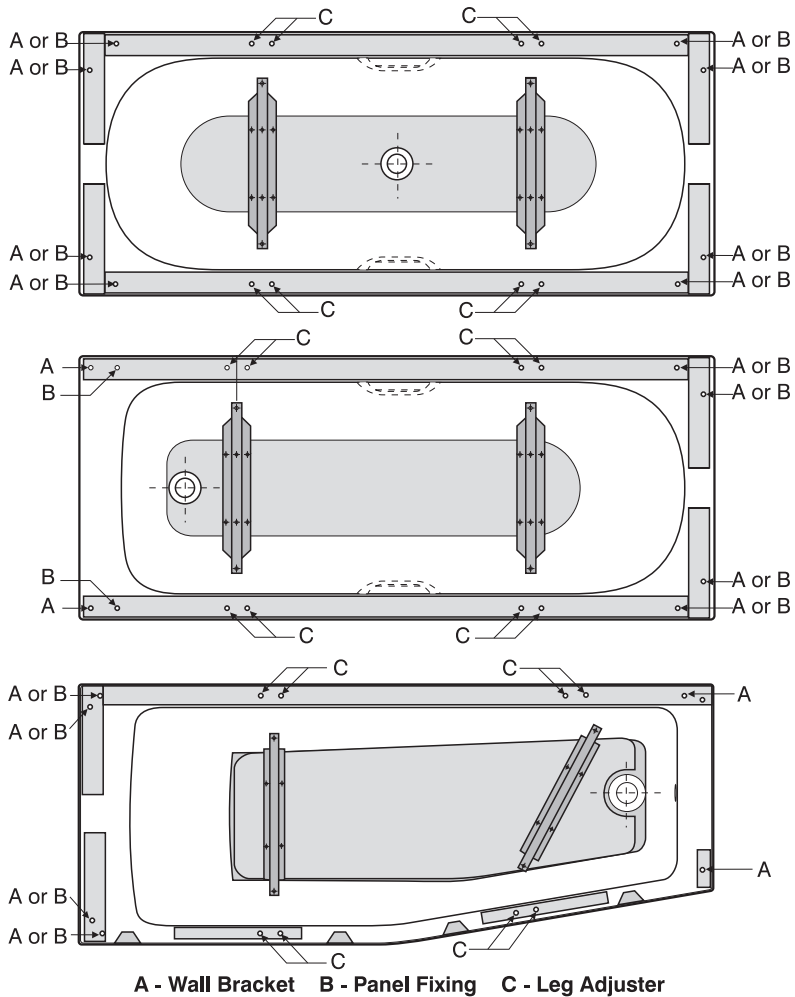


Figure 3

IDEALFORM PLUS+ RECTANGULAR

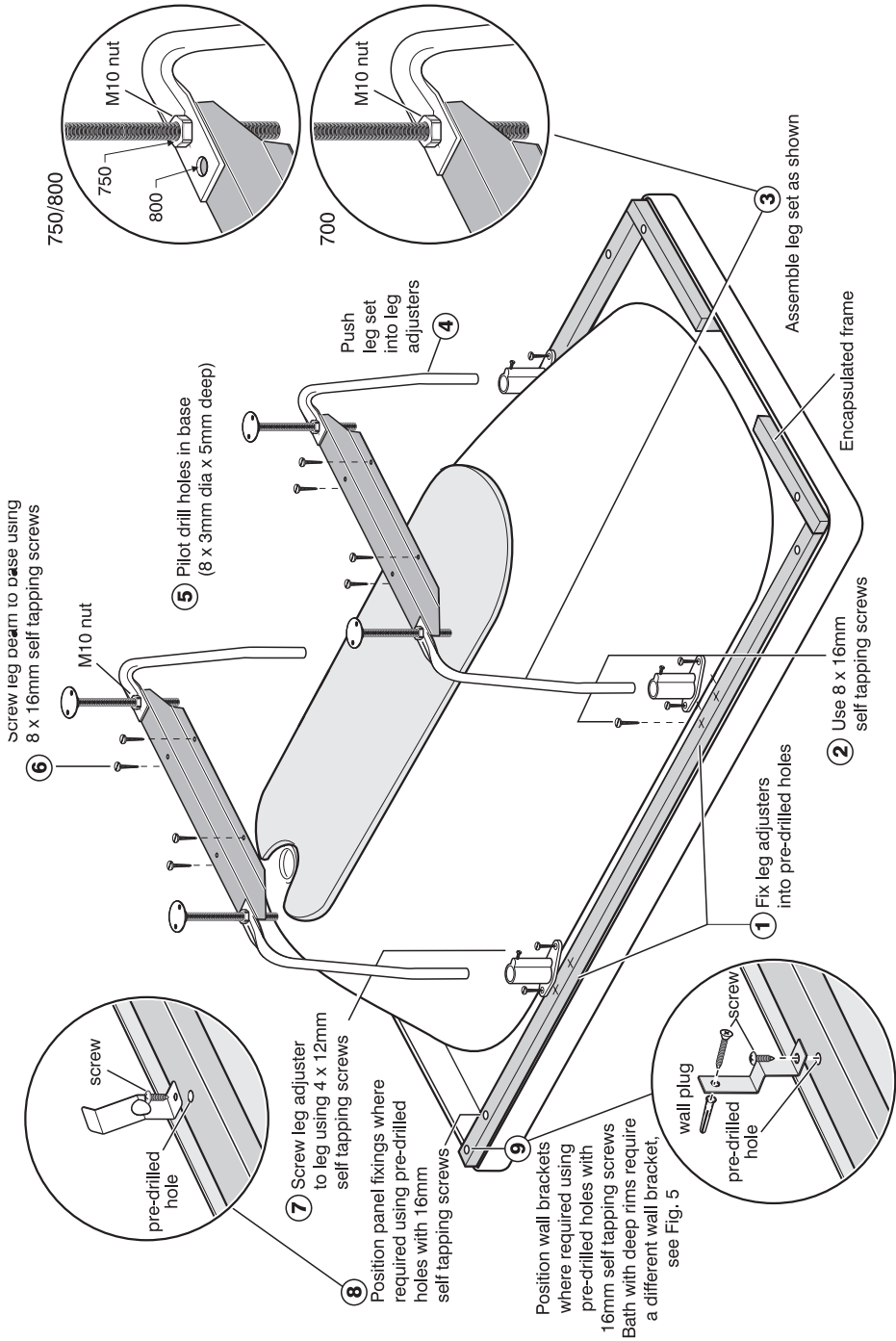


Figure 4

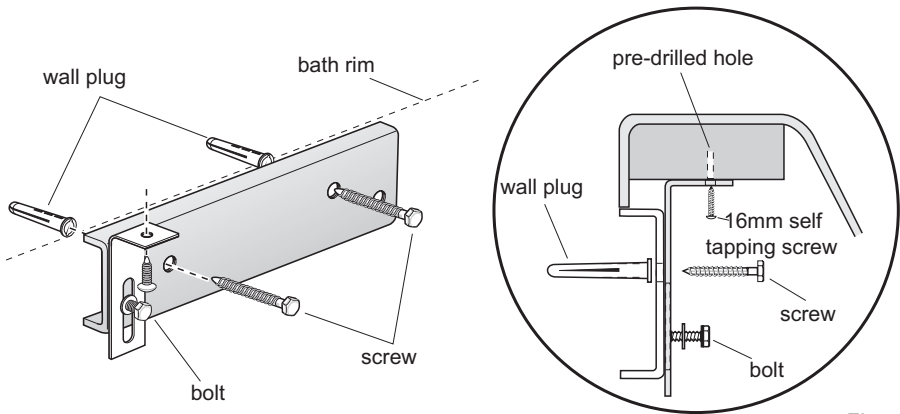


Figure 5

FIT SUPPLY AND WASTE FITTINGS.

1. If the bath is to be installed with a monoblock mixer a special hole (or holes) is required to accommodate the mixer and will have to be cut by the installer in an appropriate position on the rim of a no tap hole bath to suit the bathroom layout. Full details or a template for cutting the hole (or holes) is supplied with monoblock fittings. A template for cutting two tap holes in a no tap hole bath is supplied with the bath. Cut tap holes, and fit supply fittings, waste, overflow and trap. When using a monoblock fitting, the area directly behind the pop-up waste mechanism should be avoided.
2. Fit hand grips (where supplied), see Figure 6.
3. Place bath in position and set to correct height, see Figure 1. Fix bath to wall. Fix bath to floor ensuring that all nuts are tight.

Trial fit panel(s) to verify height is correct. Note: Untrimmed panel fitment requires the maximum height adjustment (C max Fig1). Remember to allow for floor covering thickness and uneven floors.

Re-adjust if necessary

Note:- If wall bracket fitment is not possible, then the use of wooded battens is recommended for rim support.

4. Connect services, test for satisfactory operation of fittings and ensure there are no leaks.
5. Tile down to the height of the bath rim leaving a 3-4mm gap for waterproof sealant. An extruded sealing strip can be used for the bath to wall joint as an alternative to waterproof sealant. Protect bath during tiling.

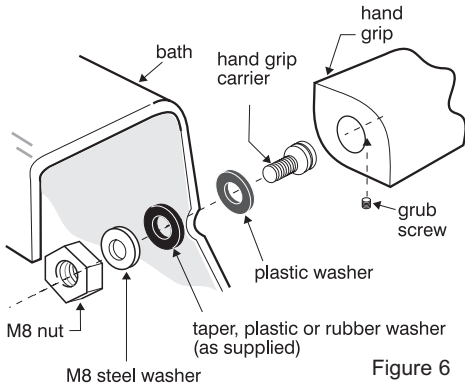


Figure 6

WARNING

DO NOT fix hand grips in any oil based bedding compound or putty. These materials contain solvents which will damage the hand grips irreparably.

6. FIT PANEL(S)

7. Panels can be reduced in height by cutting a strip from the bottom edge, for heights see Fig. 1. Timber floor battens are not supplied but are necessary to secure the panels. Screw battens to the floor.

Two extra panel clips are supplied with the front panel - the bath is pre-drilled for 2 clips, if more clips are required, fix in same way in desired position.

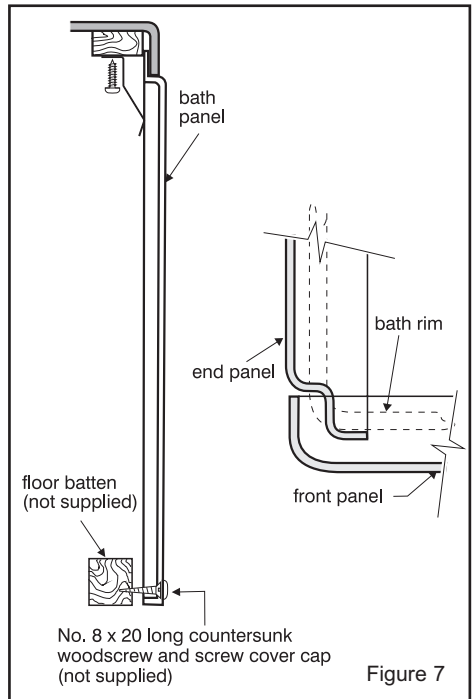


Figure 7



The Bathroom Works
National Avenue
Kingston upon Hull
HU5 4HS
England
Telephone: (01482) 346461
Telefax: (01482) 445886.

CUSTOMER CARE HELPLINE 0870 1296085

CUSTOMER CARE FAX LINE 01482 499611
email: ukcustcare@IdealStandard.com

We pursue a policy of continuing improvement in design and performance of our products.

The right is, therefore, reserved to vary specifications without notice.