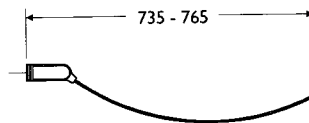
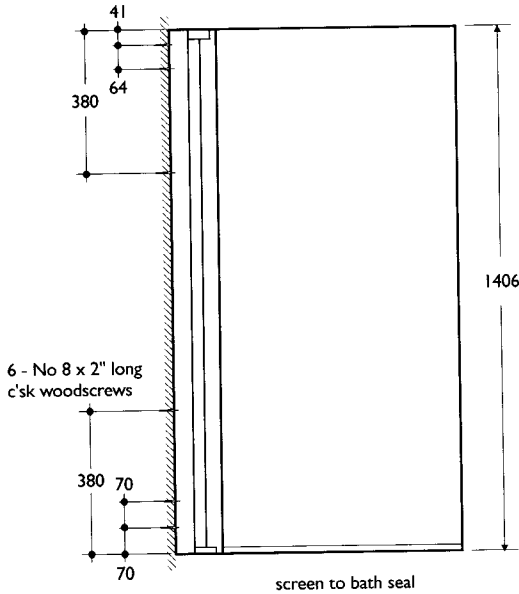


CURVED SHOWER SCREENS



Installation Instruction

TECHNICAL INFORMATION



LH version shown

4.5 x 60mm
countersunk screw

Figure 1

INSTALLATION

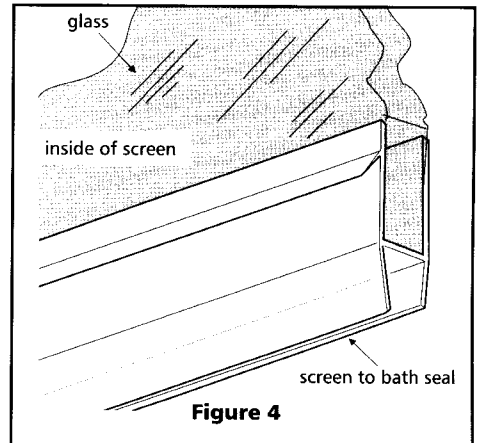
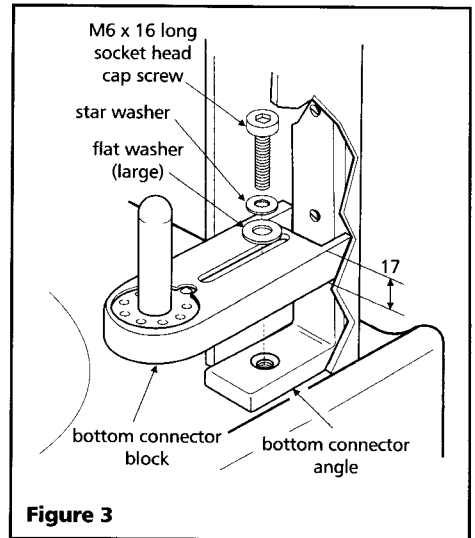
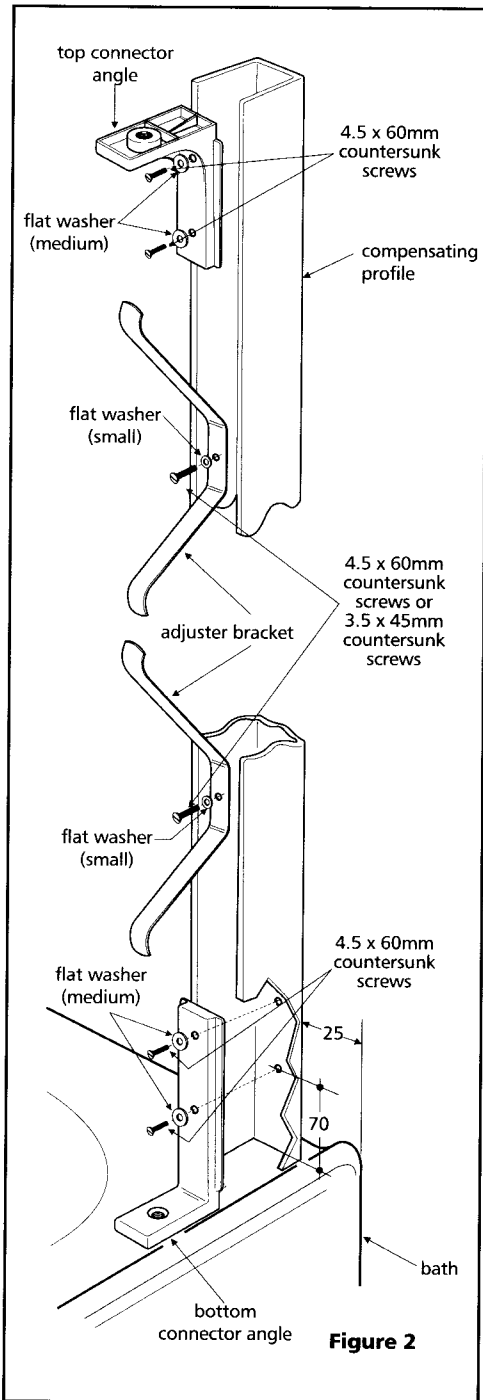
1. Position compensating profile on bath 25mm from the edge of the bath and mark positions for fixing holes. Drill and plug holes (Fig. 2).

2. Fix adjuster brackets, top and bottom connector angles and compensating profile to wall with 2" No. 8 countersunk wood-screws and washers (Fig. 2).

Note: Apply a suitable waterproof sealant to the compensating profile before fixing to wall.

3. Position bottom connector block over bottom connector angle and secure centrally with M6 x 16 long socket head cap screw and washers (Fig. 3). (This may have to be repositioned at a later stage to allow for out of true walls).

4. Slide the adjuster member over the bottom connector block and into the compensating profile (Fig. 5).



5. Attach the screen to bath seal to the bottom of the glass ensuring the deflector blade is on the inside of the screen (Fig. 4).

6. Position the screen member onto the bottom connector block (Fig. 5). Ensure the edge of the glass is plumb and secure at the top using the top connector block, M6 x 16 long socket head cap screw and washers (Fig. 6).

Note: to gain extra adjustment refer to instruction 3.

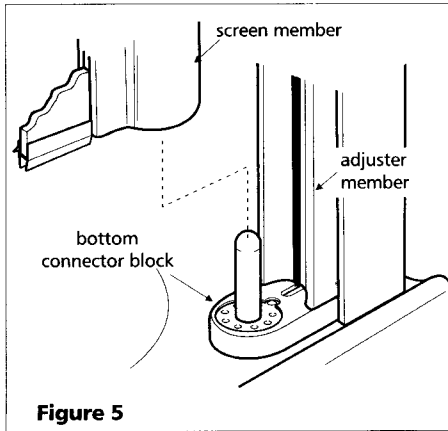


Figure 5

7. Adjust position of adjuster member to create a seal with the screen member.

8. Fit top cap (shorten using knife if necessary) (Fig. 6).

9. Apply a suitable waterproof sealant along the base of compensating profile and bottom connector block.

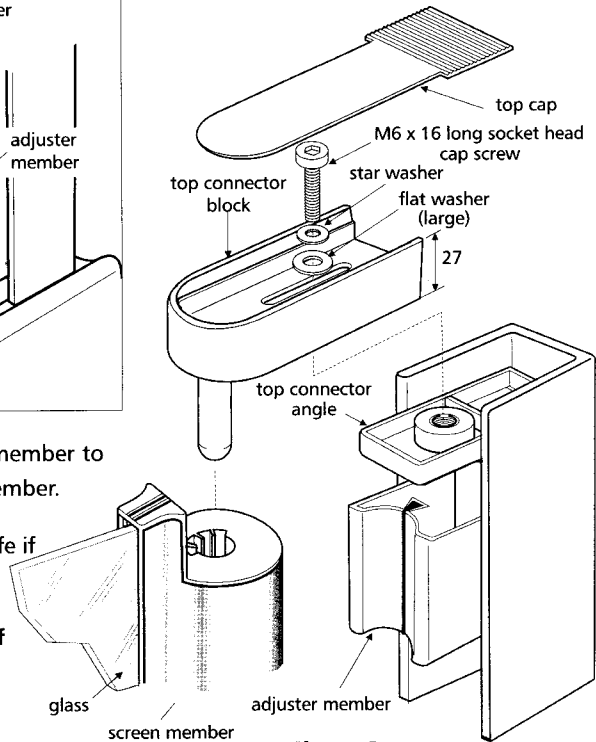


Figure 6

Ensure top and bottom connector blocks are fully engaged in screen member

CLEANING

Clean with a clean cloth and mild liquid soap and polish with a soft dry duster. No abrasive powders, detergents or polishes should be used for cleaning the shower screen or frame.

CUSTOMER CARE HELPLINE 0870 1296081

CUSTOMER CARE FAX LINE 01482 499611

American Standard pursues a policy of continuing improvement in design and performance of its products. The right is, therefore, reserved to vary specifications without notice.

The Bathroom Works
National Avenue
Kingston upon Hull
HU5 4HS
England
Telephone: (01482) 346461
Telefax: (01482) 445886.