

# JASPER MORRISON BATHS

---



*Asymmetric Bath*

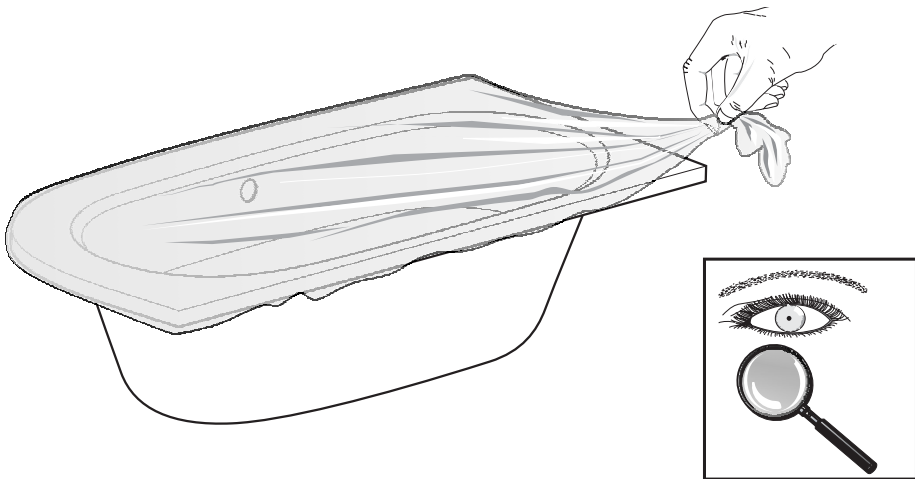
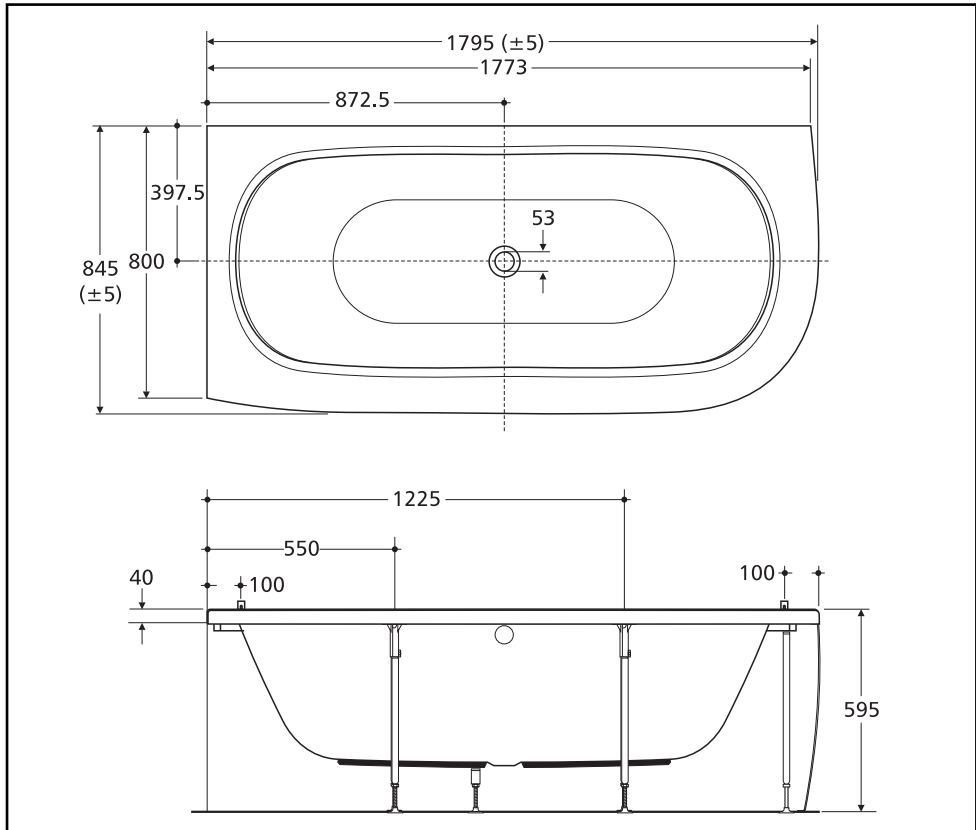


*Rectangular Bath*

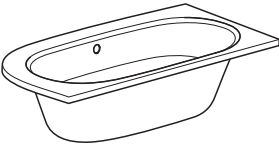
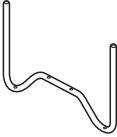






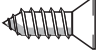
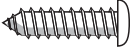
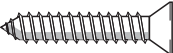


## Installation Instructions

4608 07/11  
**EE7400000**

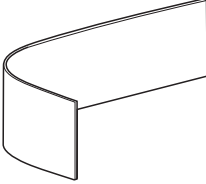

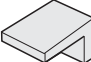

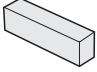
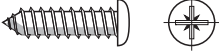
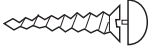
## Asymmetric Bath



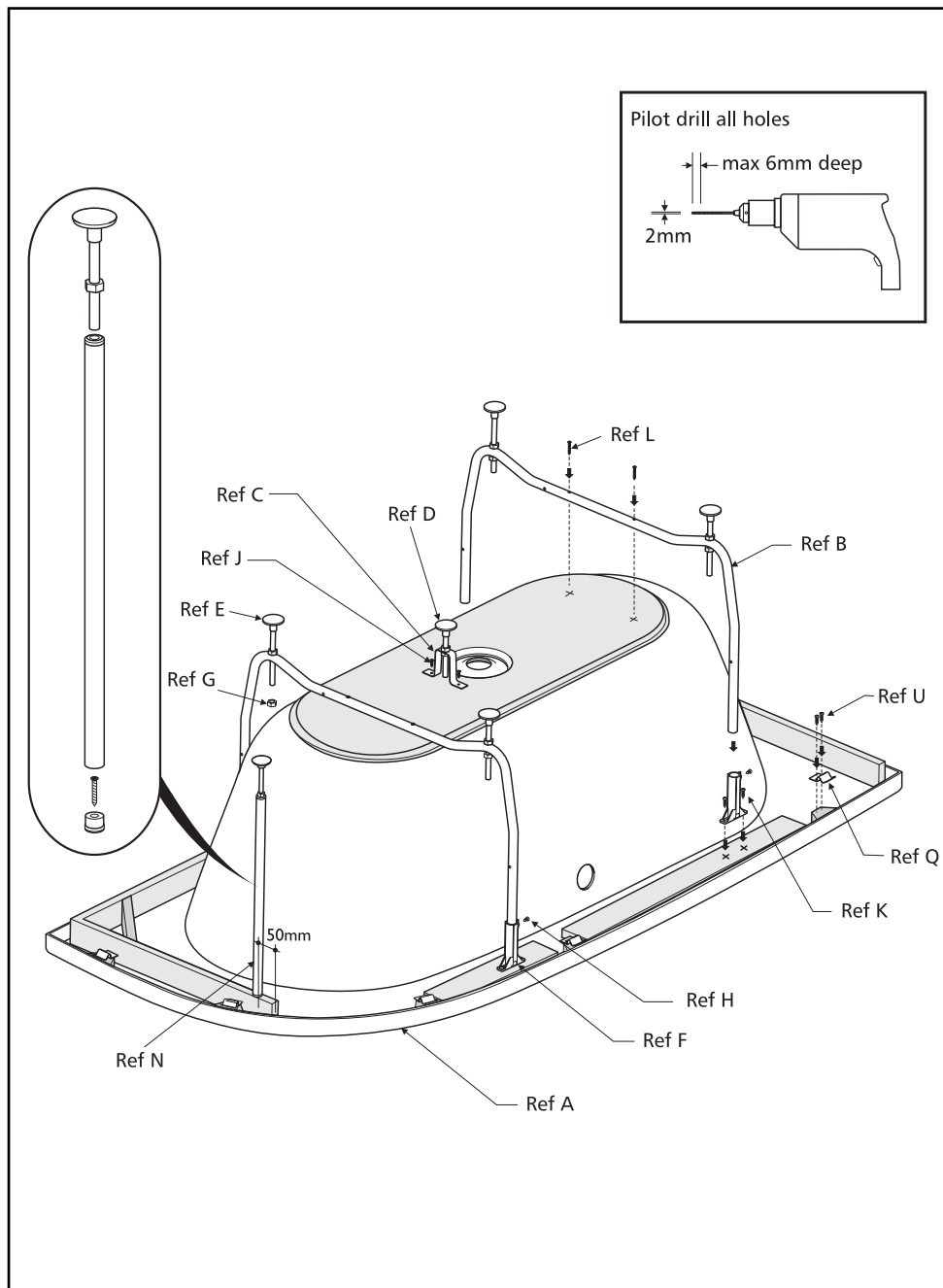
## Asymmetric Bath

Ref.	Description		Qty.
A	Bath Tub		1
B	Bath Legs		2
C	Centre Support Leg		1
D	Short Bath Foot		1
E	Bath Feet		4
F	Plastic Leg Adjuster		4
G	Bath Feet Locking Nuts		10
H	No. 8 x 12 Pan Head Self Tapping Screw		4
J	No. 8 x 16 Countersunk Woodscrew		2
K	No. 8 x 20 Pan Head Self Tapping Screw		10
L	No. 8 x 30 Countersunk Woodscrew		4
M	Wall Bracket		2
N	Support Leg Sub-assembly		1

## Asymmetric Bath

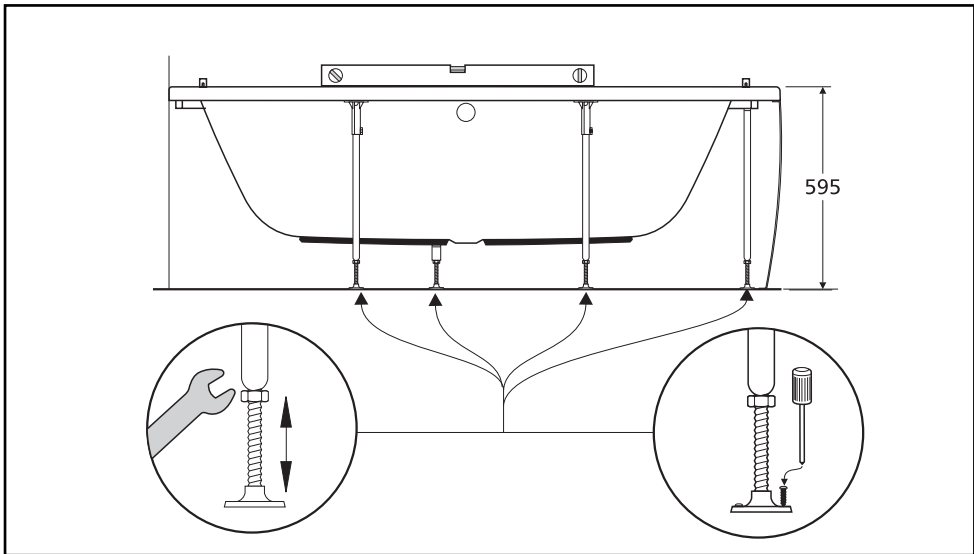
Panel		
Ref.	Description	Qty.
P	Panel 	1
Q	Panel Clip 	5
R	Wood Block 	3
S	Spacer 	5
T	Wood Block 	1
U	No. 8 x 20 Pan Head Self Tapping Screw 	10
V	Screw and Cover Caps 	5

## Asymmetric Bath

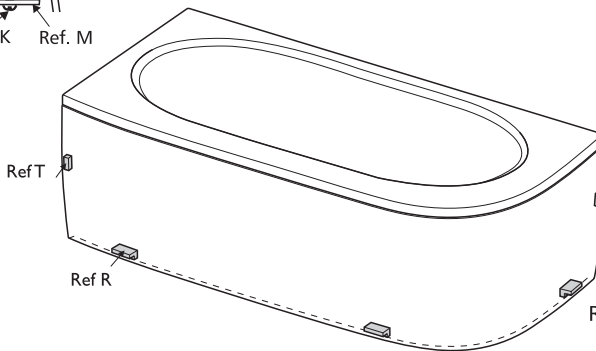
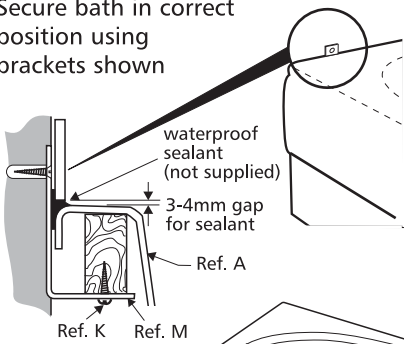


## Asymmetric Bath

*Fit waste, overflow and taps*

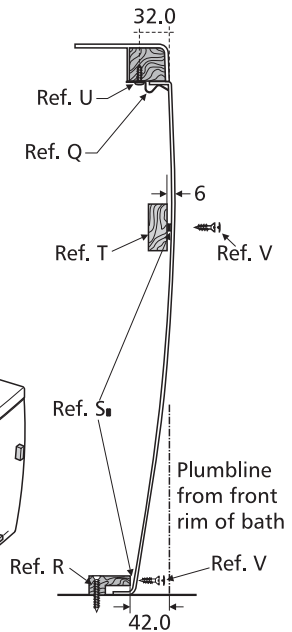


Secure bath in correct position using brackets shown

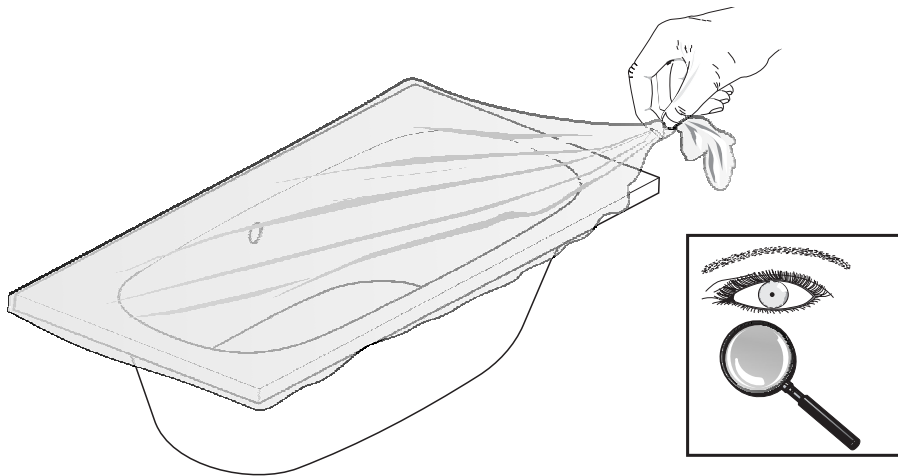
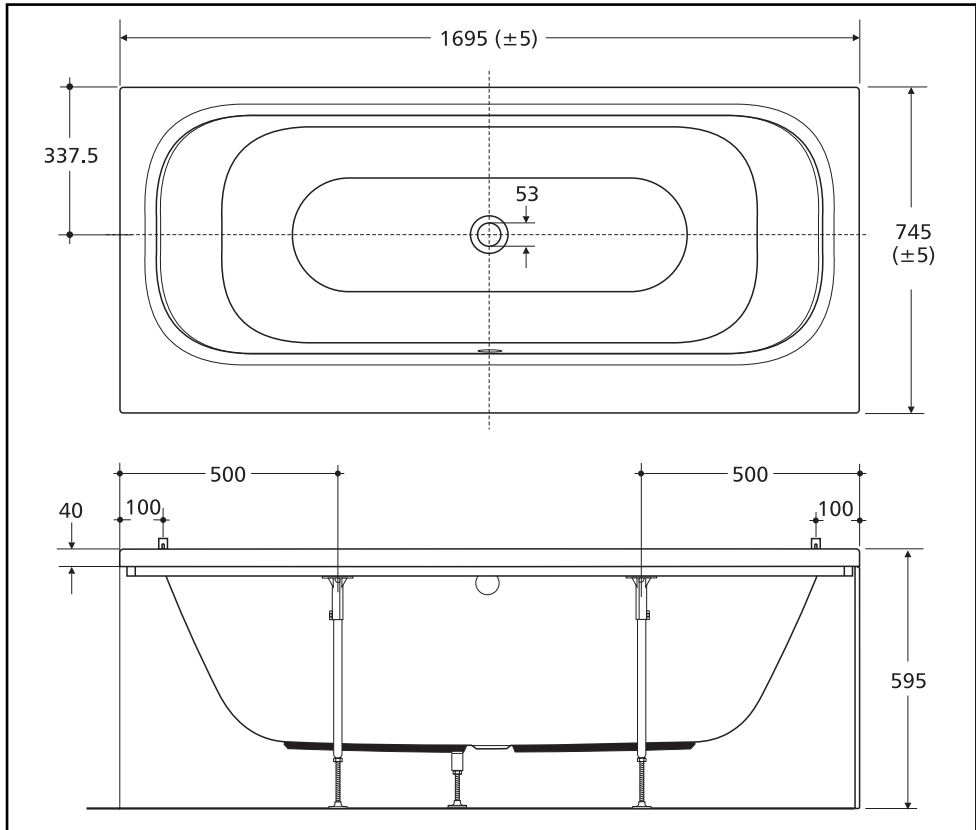


Approximate fixing block positions

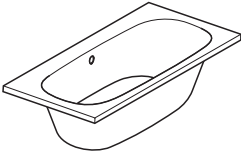
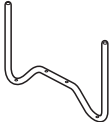







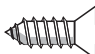

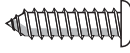

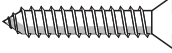

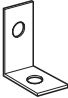
Panel fixation



## Rectangular Bath

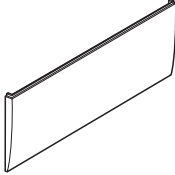




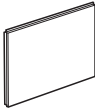


## Rectangular Bath

Ref.	Description		Qty.
A	Bath Tub		1
B	Bath Legs		2
C	Centre Support Leg		1
D	Short Bath Foot		1
E	Bath Feet		4
F	Plastic Leg Adjuster		4
G	Bath Feet Locking Nuts		10
H	No. 8 x 12 Pan Head Self Tapping Screw	 	4
J	No. 8 x 16 Countersunk Woodscrew	 	2
K	No. 8 x 20 Pan Head Self Tapping Screw	 	10
L	No. 8 x 30 Countersunk Woodscrew	 	4
M	Wall Bracket		2

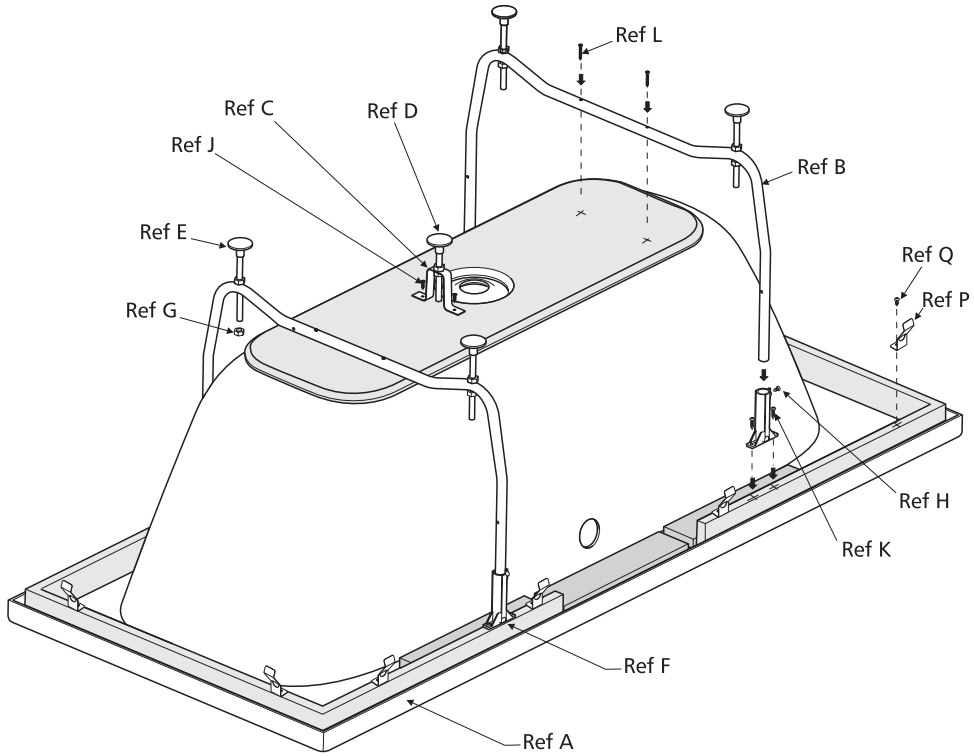
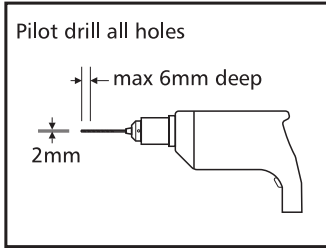


## Rectangular Bath

Front Panel		
Ref.	Description	Qty.
N	Panel 	1
P	Panel Clip 	4
Q	No. 8 x 12 Pan Head Self Tapping Screw 	4

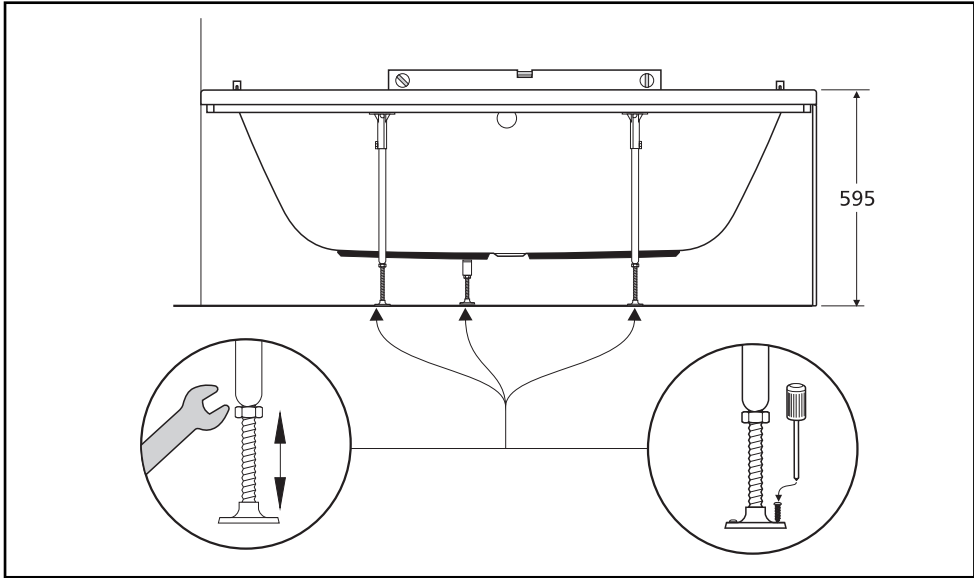
End Panel		
Ref.	Description	Qty.
N	Panel 	1
P	Panel Clip 	2
Q	No. 8 x 12 Pan Head Self Tapping Screw 	2

## Rectangular Bath

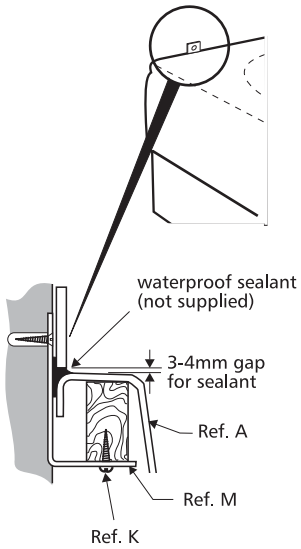


1700 X 750mm Bath Shown

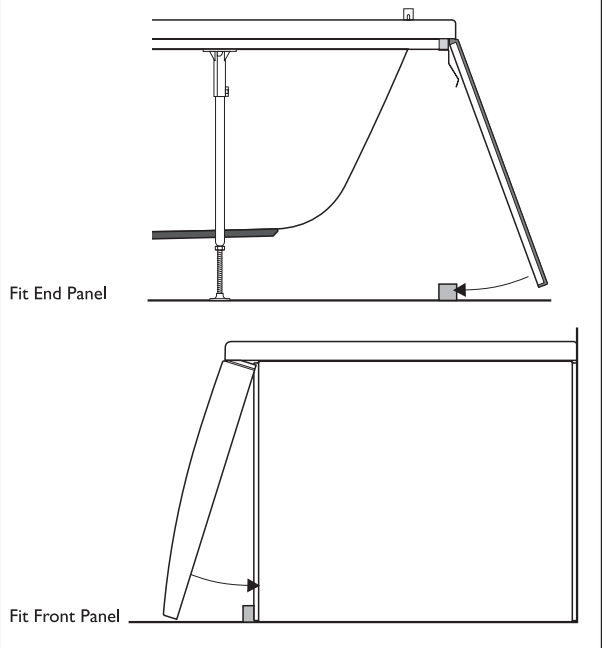
## Rectangular Bath



Secure bath in correct position using brackets shown



Fit bath panels





The Bathroom Works  
National Avenue  
Kingston upon Hull  
HU5 4HS  
England  
Telephone: (01482) 346461  
Telefax: (01482) 445886.

**CUSTOMER CARE HELPLINE**  
**0870 1296085**  
**CUSTOMER CARE FAX LINE 01482 499611**  
**email: [ukcustcare@IdealStandard.com](mailto:ukcustcare@IdealStandard.com)**

Ideal Standard Limited pursues a policy of continuing improvement in design and performance of its products. The right is, therefore, reserved to vary specifications without notice.

Ideal Standard (UK) Ltd.

4608 07/11

**EE7400000**