



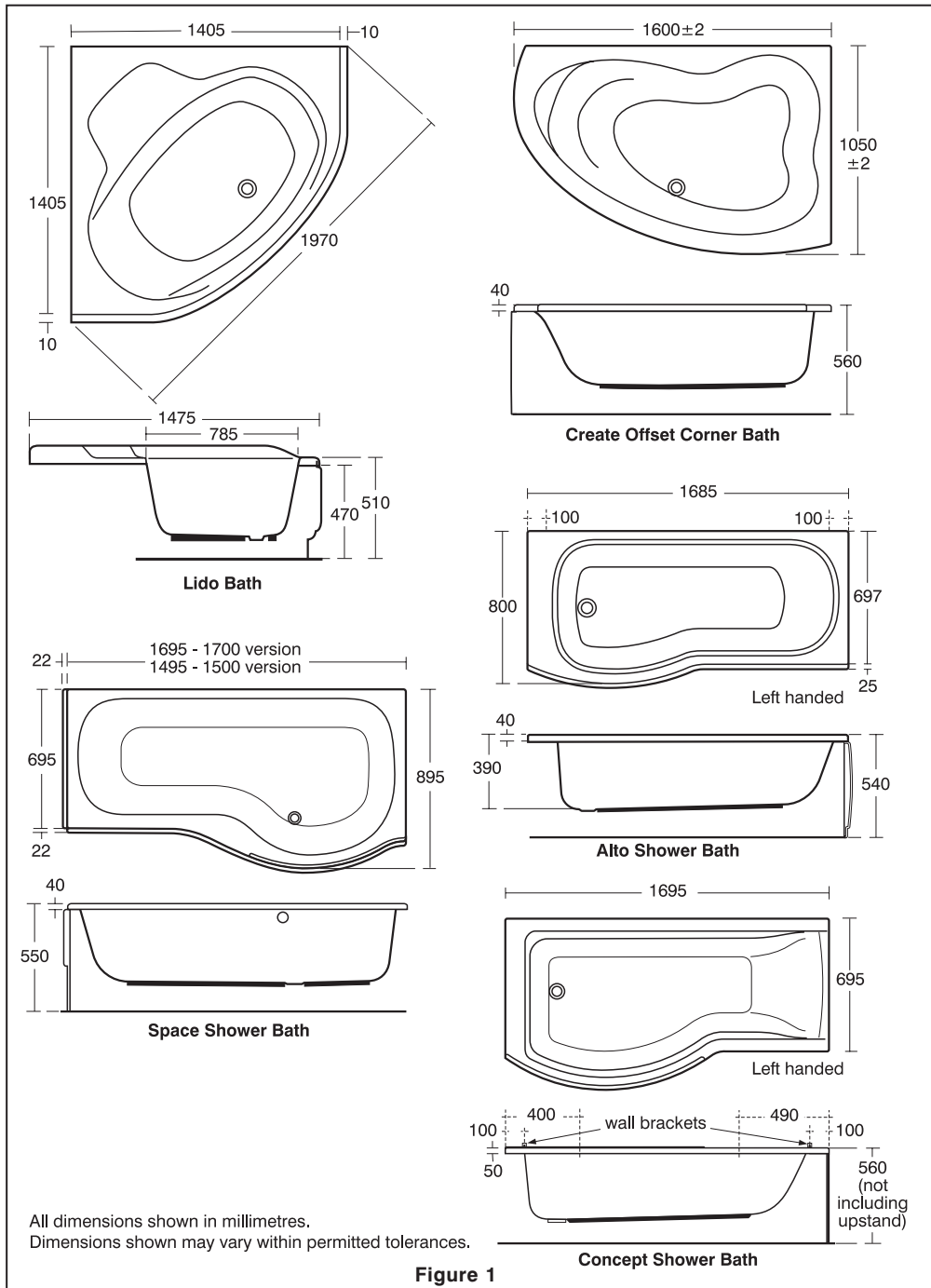
IDEALFORM PLUS+ CORNER

Installation Instructions

Please pass on to user



IDEALFORM PLUS+ CORNER



IDEALFORM PLUS+ CORNER

BATH CONDITION

Before commencing installation, carefully remove packaging/protective film and check for damage. If damaged, report immediately to supplier.

Responsibility will not be accepted for damage after installation.

The bath should be fully protected during the installation process.

Appropriate safety equipment/workwear should be used

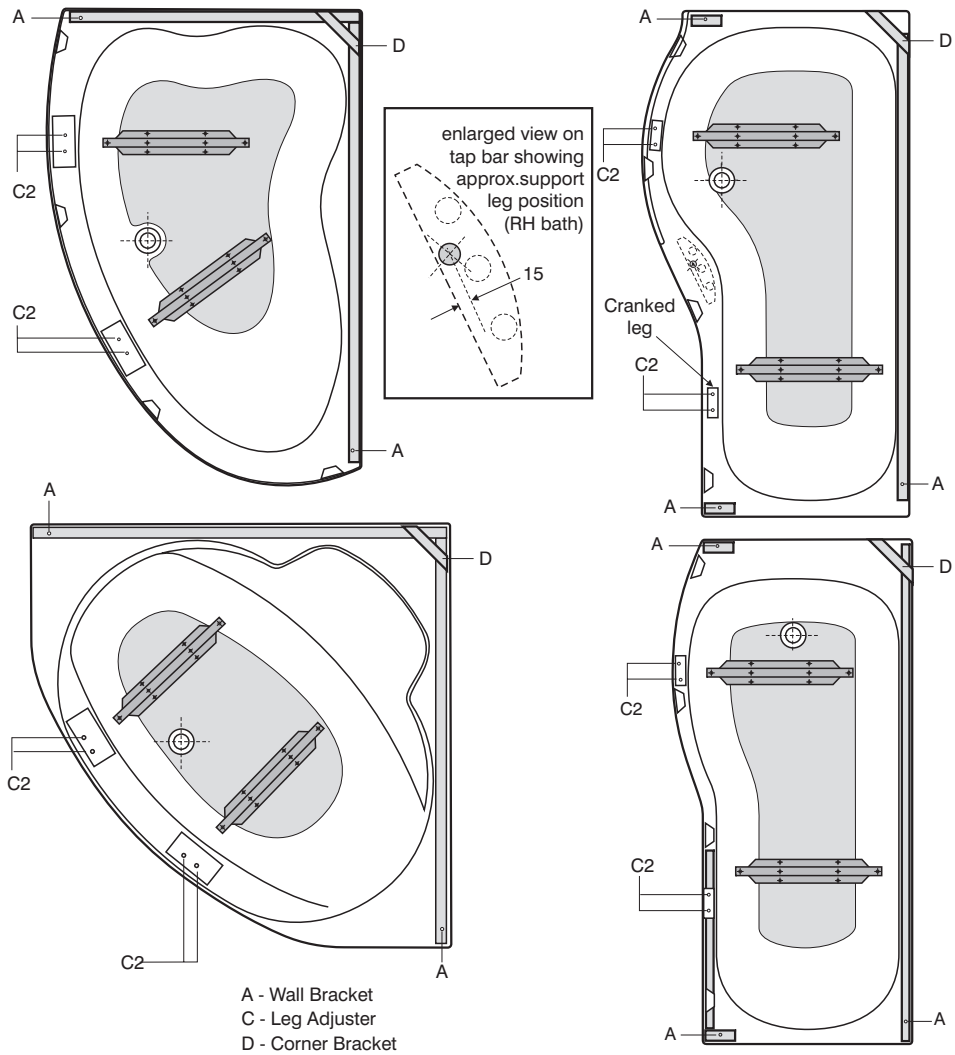


Figure 2

IDEALFORM PLUS+ CORNER

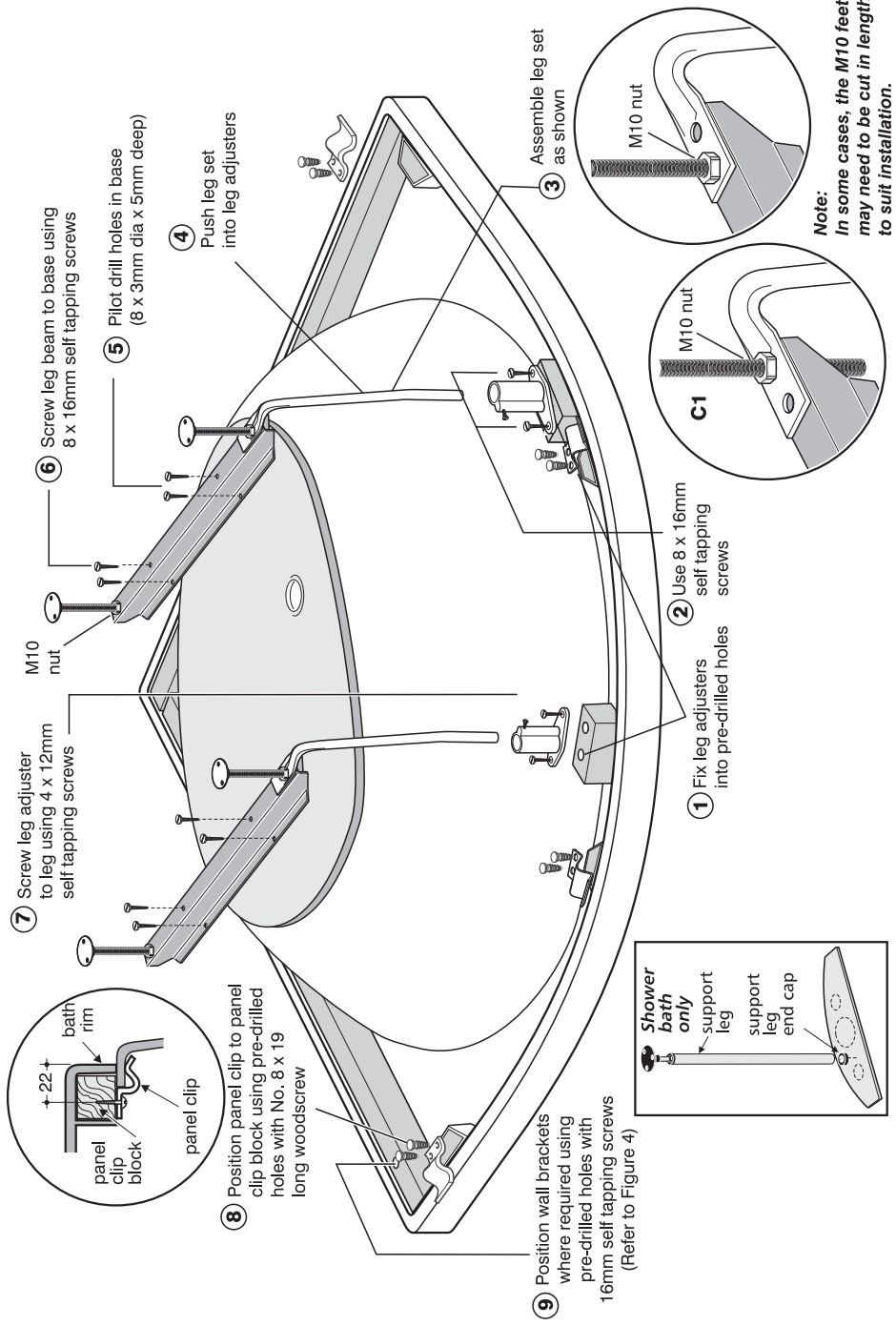


Figure 3

IDEALFORM PLUS+ CORNER

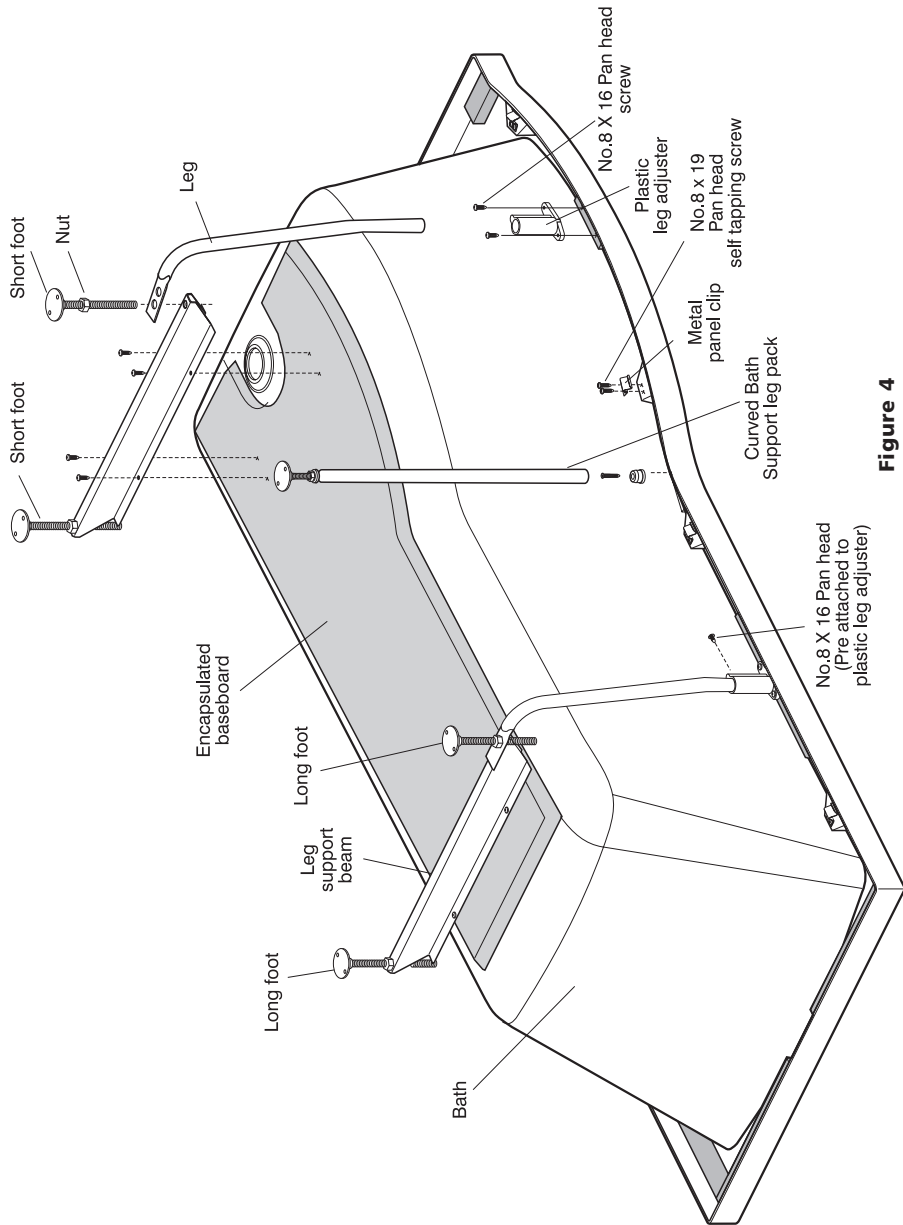
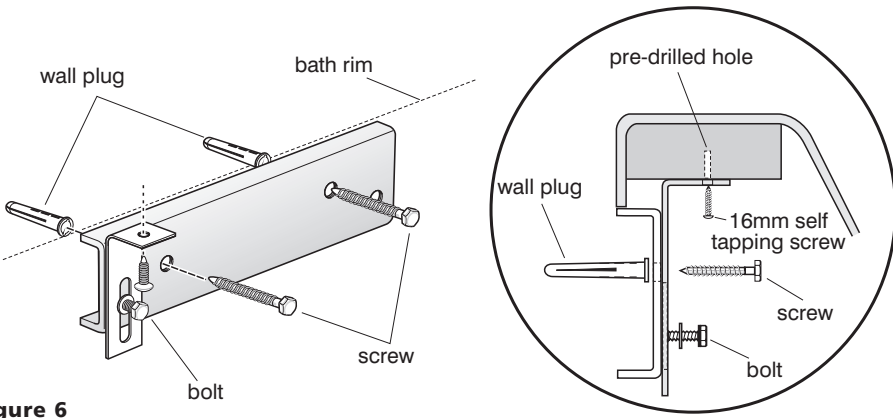
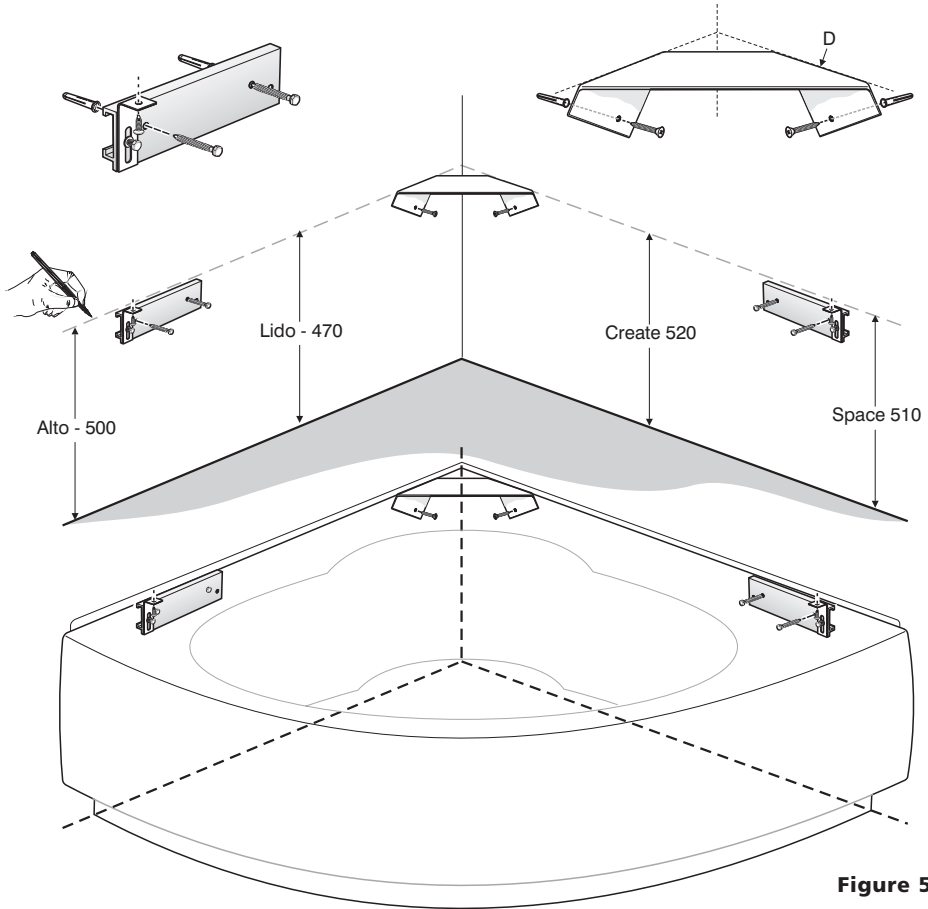
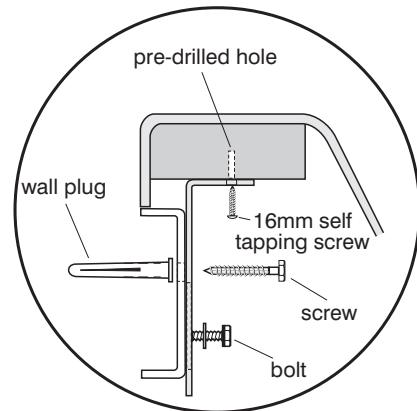
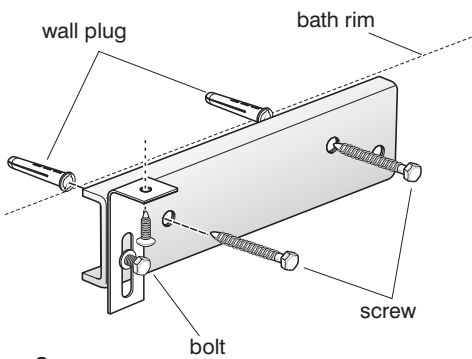
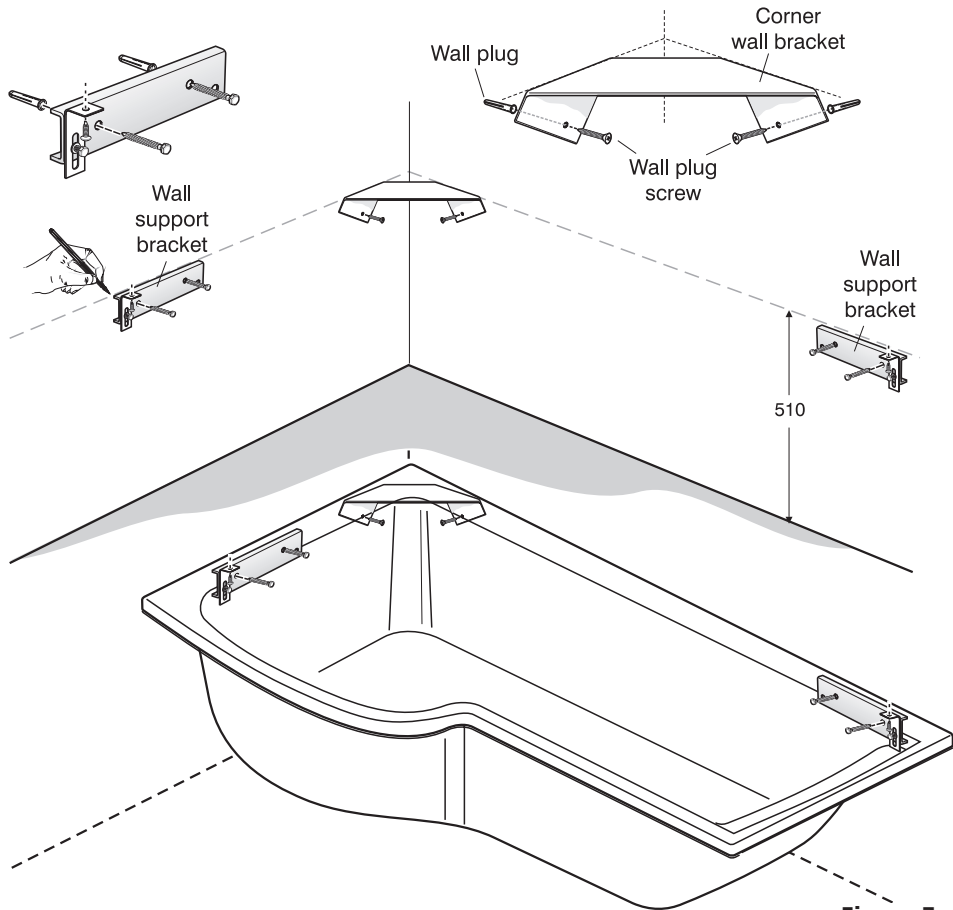


Figure 4

IDEALFORM PLUS+ CORNER



IDEALFORM PLUS+ CORNER



IDEALFORM PLUS+ CORNER

FIT SUPPLY AND WASTE FITTINGS

1. If the bath is to be installed with a monoblock mixer a special hole (or holes) is required to accommodate the mixer and will have to be cut by the installer in an appropriate position on the rim of a no tap hole bath to suit the bathroom layout. Full details or a template for cutting the hole (or holes) is supplied with monoblock fittings. A template for cutting two tap holes in a no tap hole bath is supplied with the bath. Cut tap holes, and fit supply fittings, waste, overflow and trap. When using a monoblock fitting, the area directly behind the pop-up waste mechanism should be avoided.
2. Fit hand grips (where supplied).
3. Place bath in position and set to correct height, see Figure 1. Fix bath to wall. Fix bath to floor ensuring that all nuts are tight.
4. Connect services, test for satisfactory operation of fittings and ensure there are no leaks.
5. Tile down to the height of the bath rim leaving a 3-4mm gap for waterproof sealant. An extruded sealing strip can be used for the bath to wall joint as an alternative to waterproof sealant. Protect bath during tiling.

FIXING THE BATH PANEL

6. The bath can be set lower if required but this will involve cutting a strip off the bottom of the panel. Reducing the panel height requires great care and Ideal-Standard cannot accept responsibility for any damage caused.
7. Pre fit front panel ensuring that the ends of the panel are vertical. Mark a line along the front of the panel on the floor. Remove panel and fix the plastic panel clips onto the floor/wall(s) (Figure 6). The front of the clip at the floor should be 3mm back from the marked line.
8. Fit the end panel by using a wooden batten (not supplied) along the floor for support and engaging the top of the panel in front of the spring clips.
9. Fit front bath panel in position and press the edges into the panel clips until fully engaged. Note: Fit end panel before front panel. If the front panel does not easily insert under the panel clips, then release the screws by a quarter of a turn and retry.

Note: if the front panel has had the returns trimmed off, then the plastic panel clips will not grip the panel base. In this instance, use wooden blocks (not supplied) to secure the panel to the floor/wall. Screws with cover caps are supplied for this method of fixing.

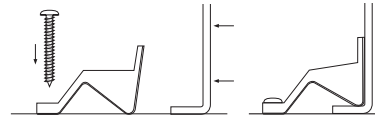


Figure 9



The Bathroom Works
National Avenue
Kingston upon Hull
HU5 4HS
England
Telephone: (01482) 346461
Telefax: (01482) 445886.

CUSTOMER CARE HELPLINE
0870 1296085
CUSTOMER CARE FAX LINE 01482 499611
email: ukcustcare@IdealStandard.com

We pursue a policy of continuing improvement in design and performance of our products.

The right is, therefore, reserved to vary specifications without notice.

Ideal Standard (UK) Ltd.

4664 07/15
EE72533367