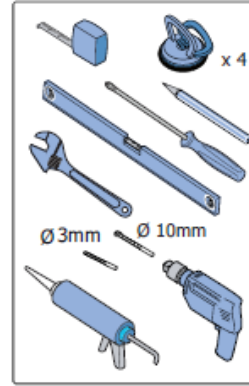
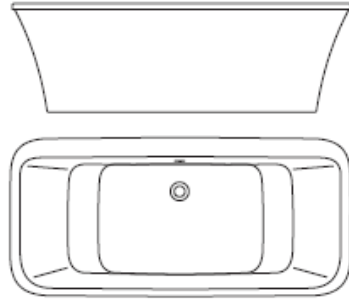
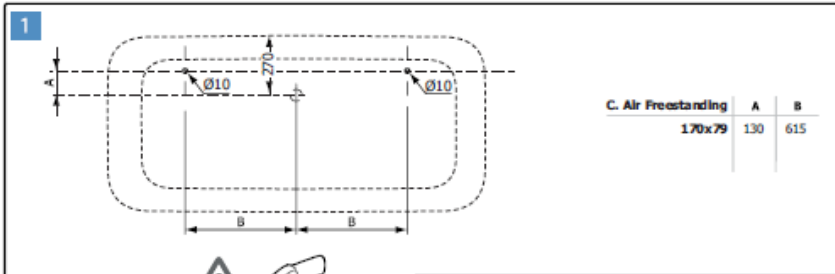
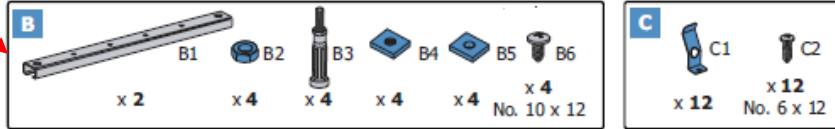
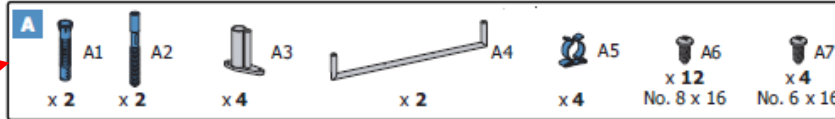


1

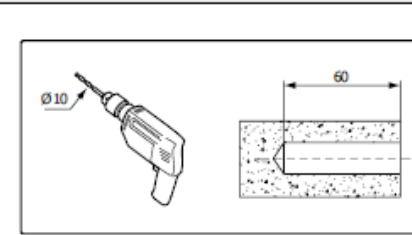
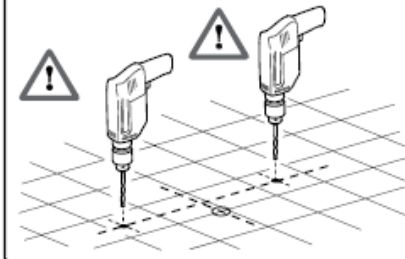
IMBALLO - COMPONENTS - EMBALLAGE - VERPACKUNG - EMBALAJE
 VERPAKKING - ΣΥΣΚΕΥΑΣΙΑΣ - ΥΠΛΟΒΟΚ - EMBALAŽE - PAKIRANJA



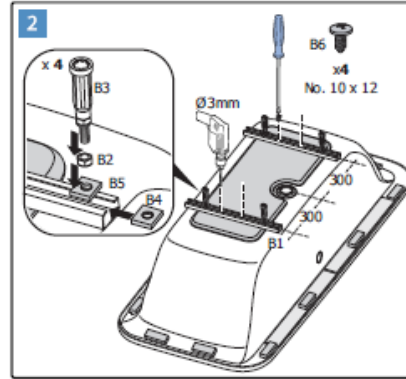
SUPPLIED IN SEPARATE BOXES MARKED "CONTENTS INSIDE"



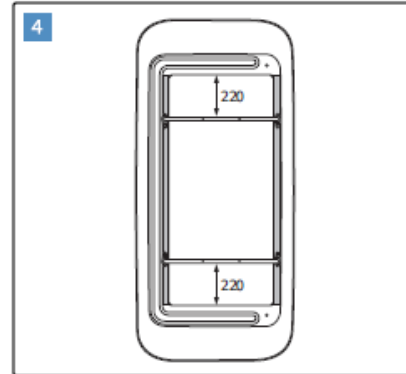
MARK OUT ON FLOOR AND DRILL HOLES FOR ANCHOR BOLTS



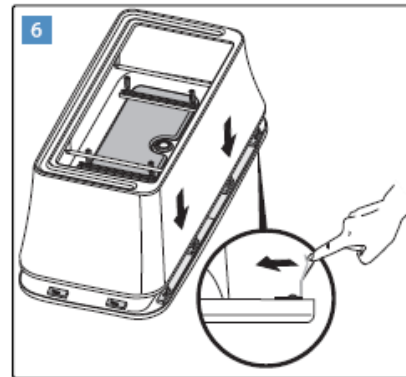
POSITION LEG BEAMS B1 TO THESE DIMENSIONS AND SECURE TO THE BATH



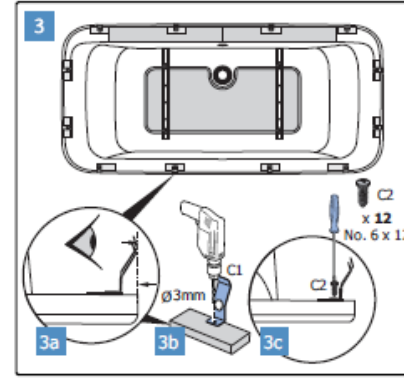
MEASURE AND POSITION PANEL BEAMS A4 TO PANEL FRAME



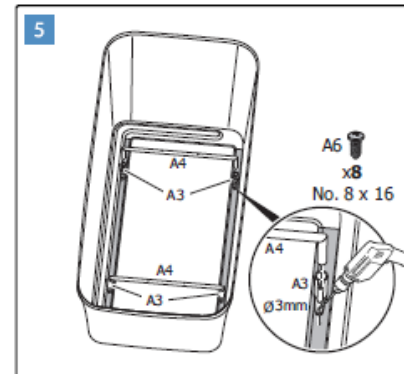
PLACE PANEL ONTO BATH ENSURING ALL CLIPS ARE INSIDE PANEL



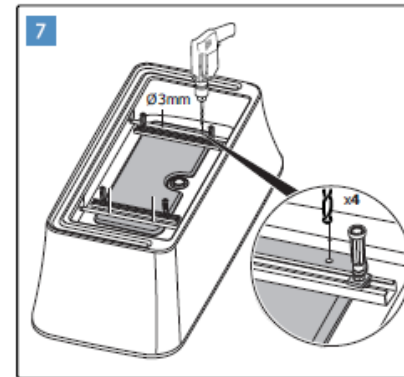
SCREW PANEL CLIPS C1 & C2 TO PRE-ATTACHED PANEL BLOCKS (IF BLOCKS BECOME LOOSE RE SECURE WITH PINK GRIP ADHESIVE)



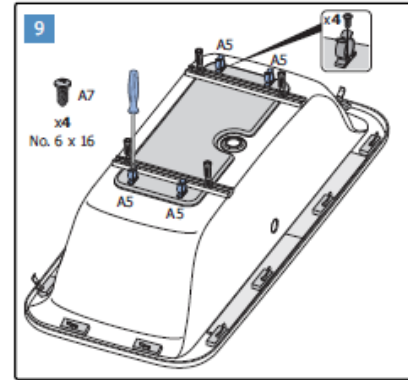
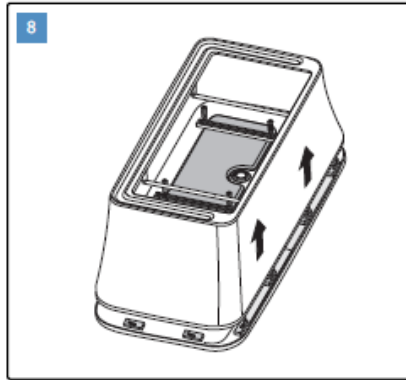
SECURE ADJUSTER BLOCKS A3 TO PANEL FRAME PLACE BEAMS INTO ADJUSTERS BUT DO NOT SECURE



MARK OUT AND PRE DRILL HOLES FOR BEAM C CLIP A5

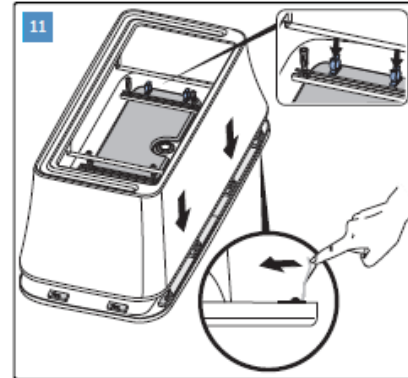
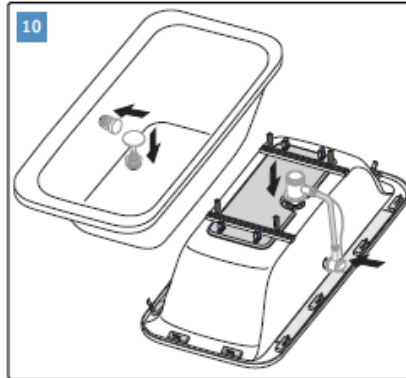


REMOVE PANEL



SCREW C CLIPS
C1 & C2 TO
BASEBOARD

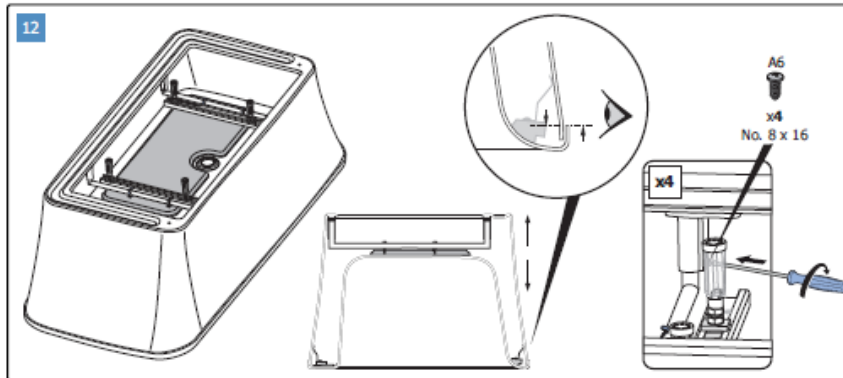
FIT WASTE
ASSY



RE FIT PANEL
ENSURING ALL
CLIPS ARE
INSIDE PANEL

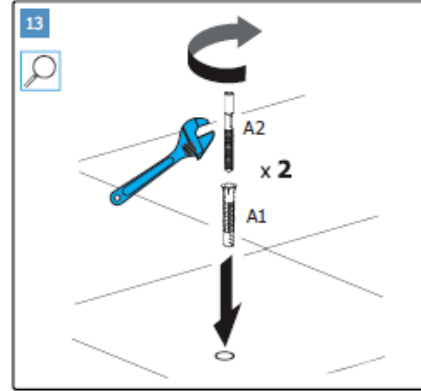
PANEL BEAMS
SHOULD BE
LINED UP AND
SECURE INTO C
CLIPS

ADJUST PANEL
TO CORRECT
HEIGHT

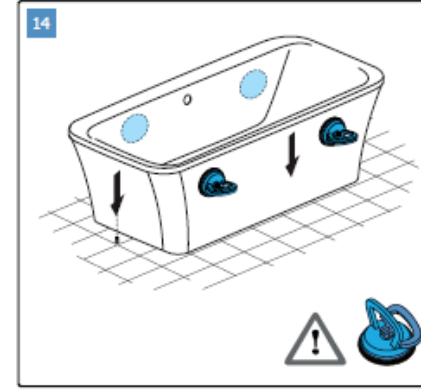


SECURE THE
BEAMS IN THE
ADJUSTERS
WITH SCREWS
SUPPLIED

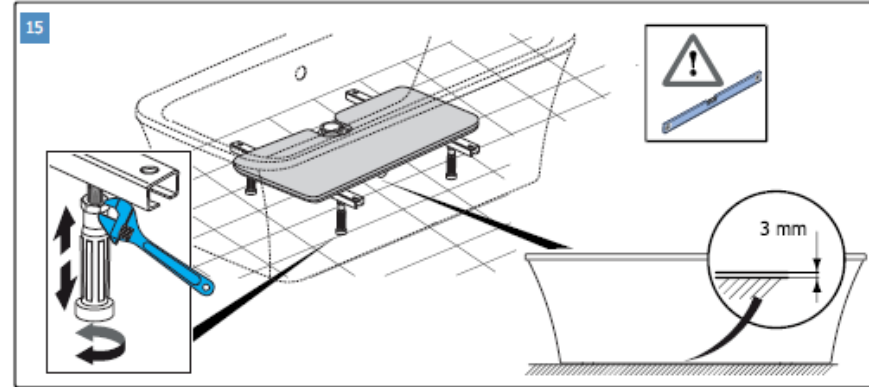
FIT ANCHOR
BOLTS INTO
FLOOR



CAREFULLY
LOWER BATH
INTO POSITION
OVER THE
BOLTS



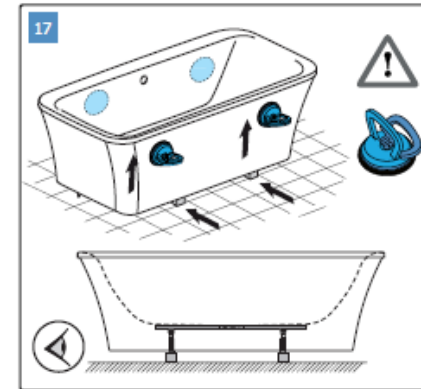
ADJUST FEET
TO ENSURE THE
BATH PANEL IS
RAISED OFF
THE FLOOR BY
3MM



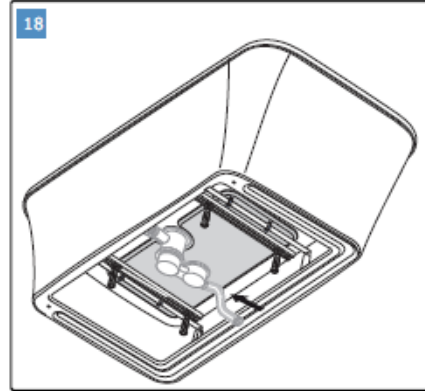
RAISE BATH
AND PLACE
SUPPORT
BEAMS FOR
ACCESS UNDER
THE BATH



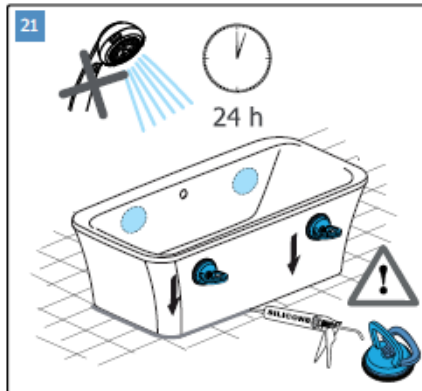
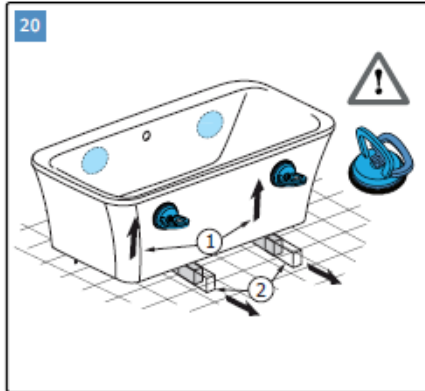
CAREFULLY
LOWER BATH
INTO POSITION
OVER THE
BOLTS



CONNECT
WASTE PIPE



FILL BATH WITH
WATER ENOUGH
TO CHECK FOR ANY
LEAKS



DRAIN BATH, REMOVE
SUPPORTS, LOWER INTO FINAL
POSITION AND SEAL AROUND
THE BASE