

10 SPARE PARTS - SINGLE LEVER MIXERS

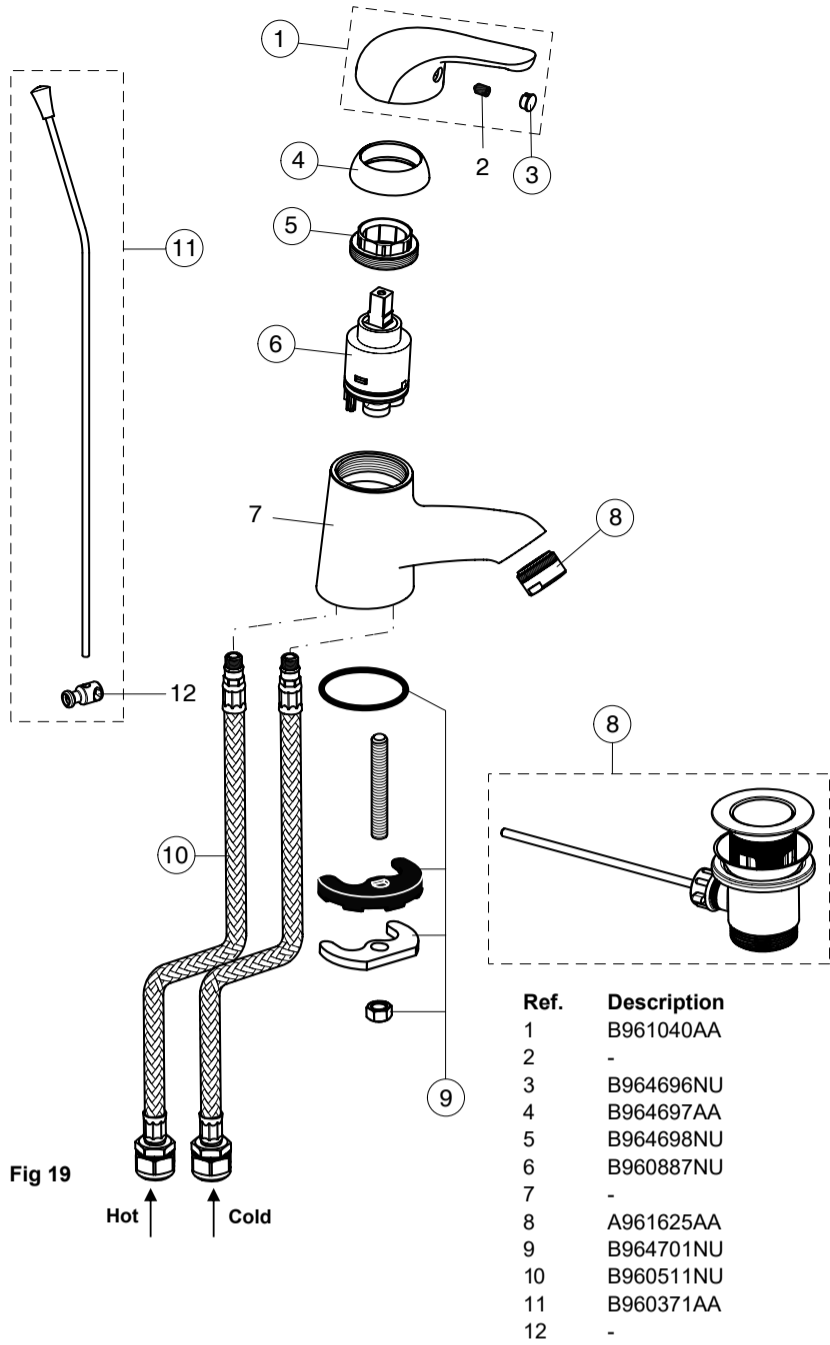
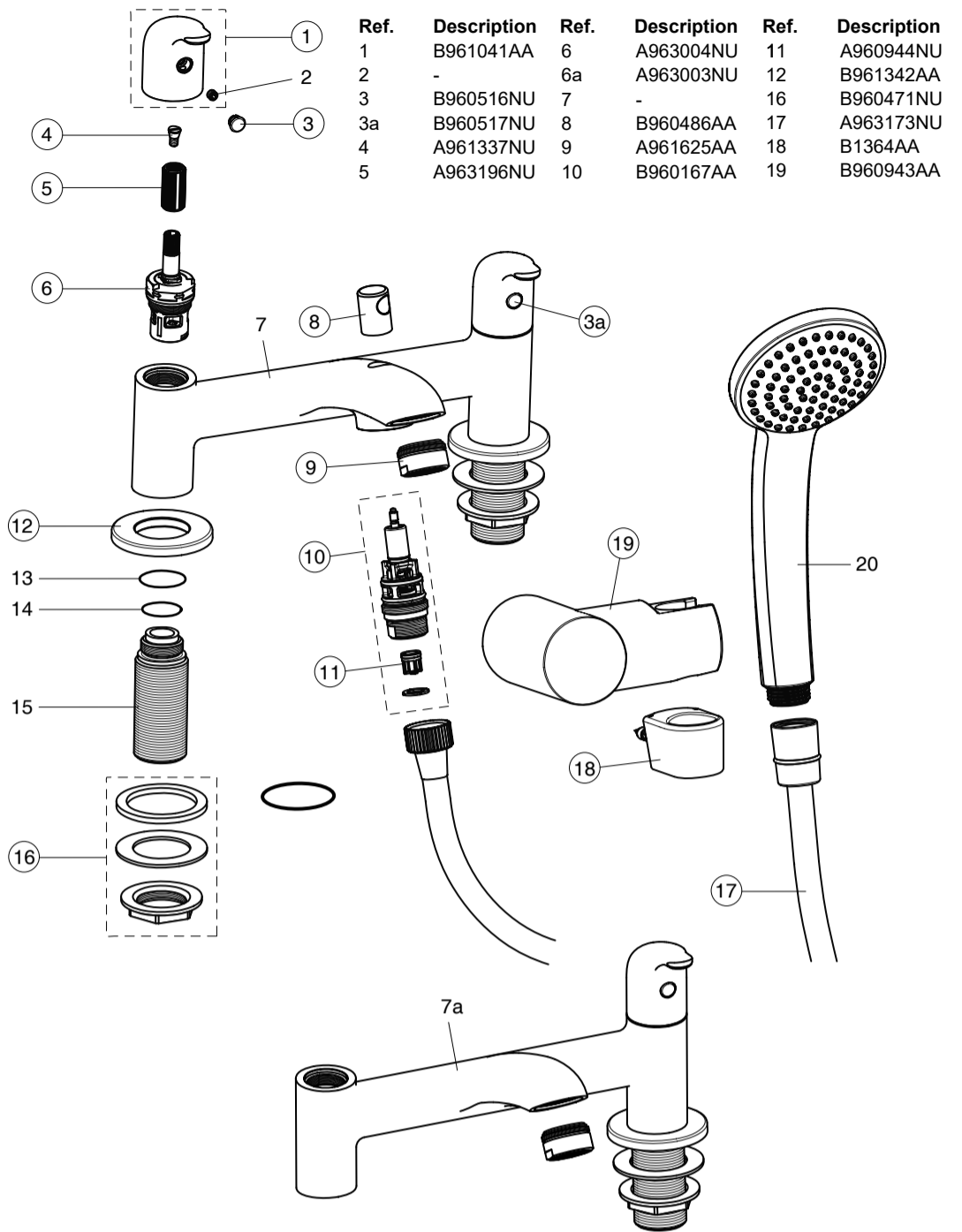


Fig 19

Hot ↑ Cold ↑

Ref.	Description
1	B961040AA
2	-
3	B964696NU
4	B964697AA
5	B964698NU
6	B960887NU
7	-
8	A961625AA
9	B964701NU
10	B960511NU
11	B960371AA
12	-

11 SPARE PARTS - QUARTER TURN FITTINGS



Ref.	Description	Ref.	Description	Ref.	Description
1	B961041AA	6	A963004NU	11	A960944NU
2	-	6a	A963003NU	12	B961342AA
3	B960516NU	7	-	16	B960471NU
3a	B960517NU	8	B960486AA	17	A963173NU
4	A961337NU	9	A961625AA	18	B1364AA
5	A963196NU	10	B960167AA	19	B960943AA

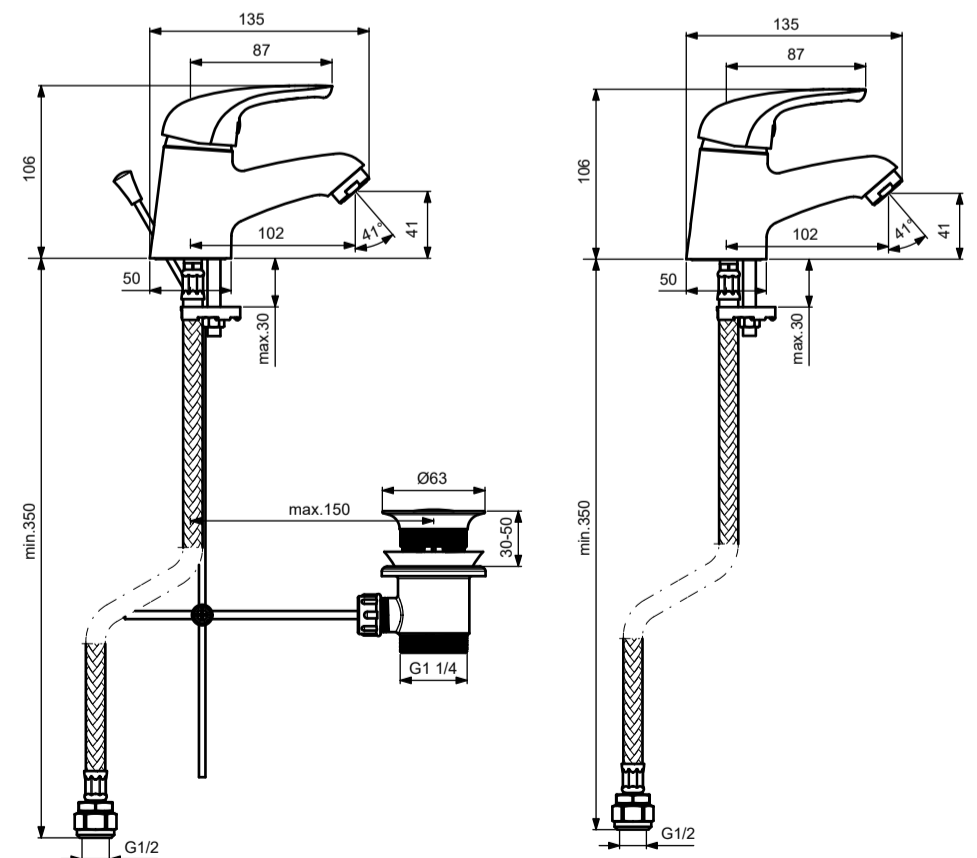
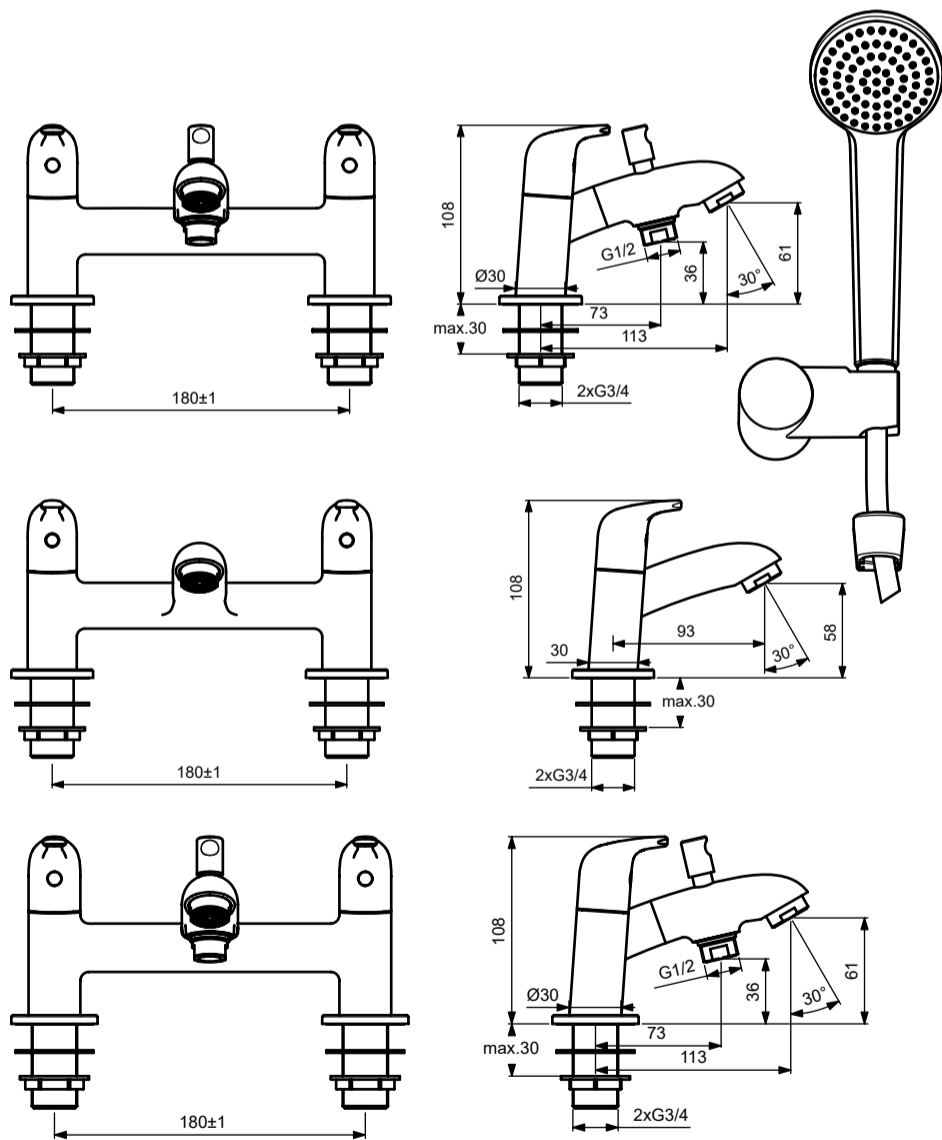


Installation Instructions

OPUS

Single Lever & Dual Control Bathroom Fittings

B0291AA	Basin S/L with Pop-up Waste	B0293AA	2 Hole Bath Filler
B1400AA	Basin S/L with Pop-up Waste	B1401AA	2 Hole Bath Filler
B0292AA	Basin S/L without Pop-up Waste	B0294AA	2 Hole Bath Shower Mixer
		BC263AA	2 Hole Bath Shower Mixer



CUSTOMER CARE HELPLINE
0870 129 6085

CUSTOMER CARE FAX
01482 499611

E-MAIL
UKcustcare@IdealStandard.com

Ideal Standard pursues a policy of continuing improvement in design and performance of its products. The right is therefore reserved to vary specification without notice.
Ideal Standard is a division of Ideal Standard (UK) Ltd
Ideal Standard
The Bathroom Works, National Avenue
Kingston-upon-Hull, HU5 4HS England

Ideal Standard International NV
Corporate Village - Gent Building
Da Vincilaan 2
1935 Zaventem
Belgium

<http://www.idealstandardinternational.com>

2 RANGE & SUPPLY CONDITIONS

The fittings covered by this installation and maintenance instruction should be installed in accordance with the water regulations published in 1999*, therefore, American Standard would strongly recommend that these fittings are installed by a professional installer

*A guide to the Water Supply (Water Fittings) Regulations 1999 and the Water Byelaws 2000, Scotland, is published by WRAS (Water Regulations Advisory Scheme) Fern Close, Pen-y-Fan Industrial Estate, Oakdale, Newport, NP11 3EH. ISBN 0-9539708-0-9

WATER SUPPLIES

OPUS fittings are designed for use on systems where the water pressure is a minimum of 0,1 bar and they are suitable for use up to a pressure of 5,0 bar.

CONNECTIONS

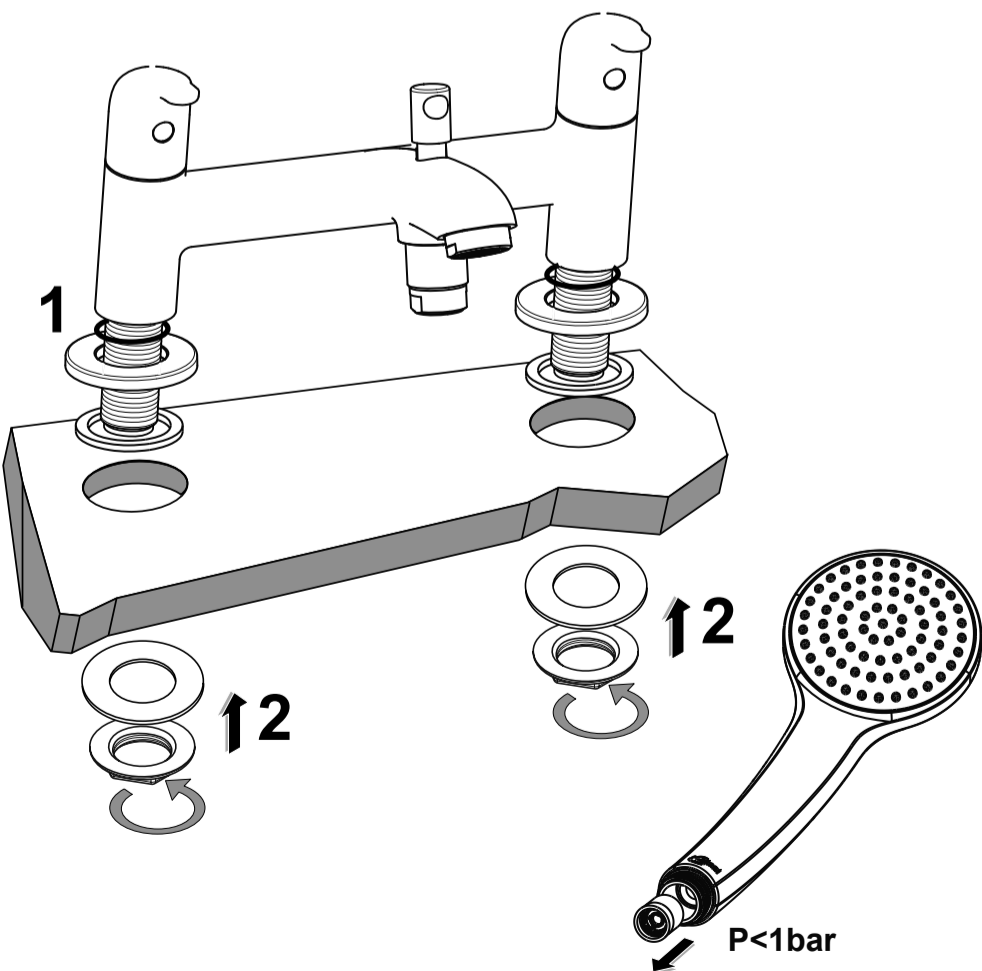
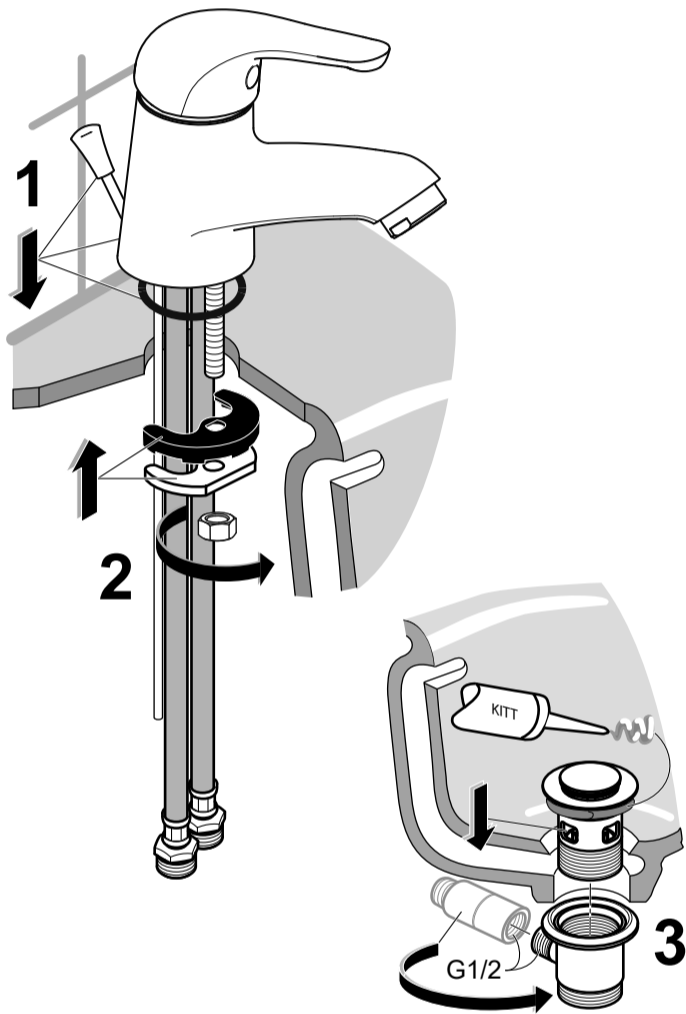
It may be necessary to insert the flexible inlet tails of the Basin fittings through the tap hole from below before screwing them into the fitting body as the inlet end connectors may not pass through the tap hole when fitted. Ensure they are tightened before securing the fitting to the tap deck.

Bath fittings - G3/4
Basin fittings - flex tails with 15mm compression connectors

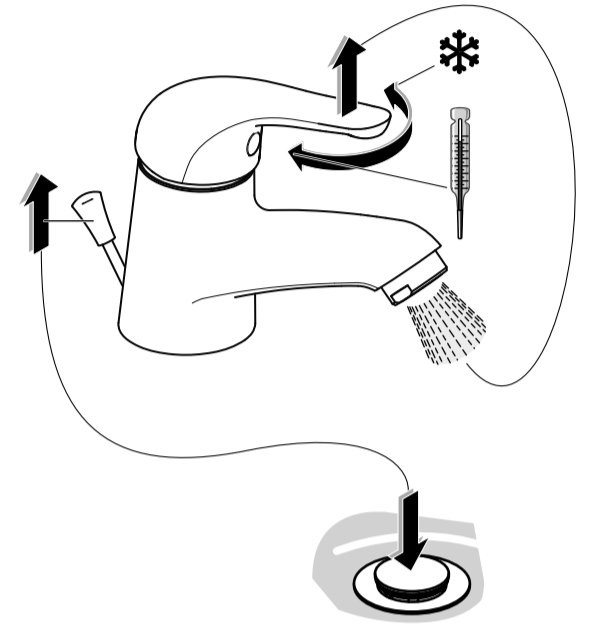
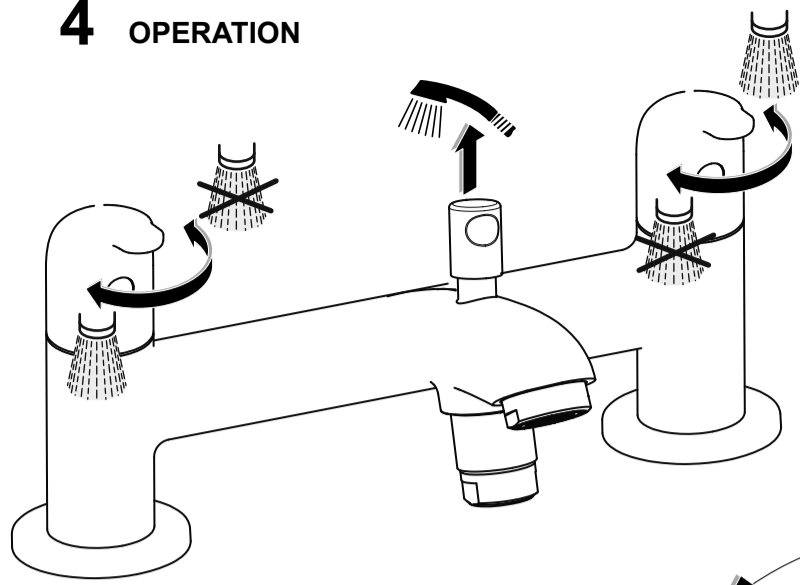
3 MONTAGE



Turn of both hot and cold water supplies



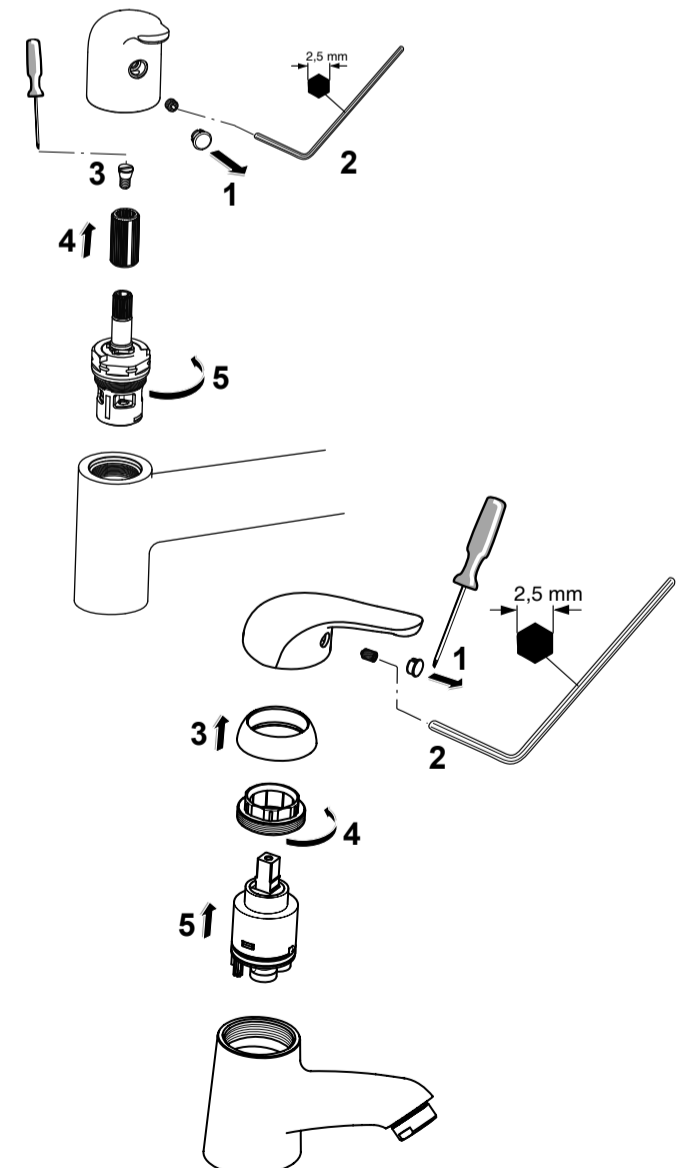
4 OPERATION



5 CARTRIDGE REPLACEMENT



Turn of both hot and cold water supplies



6 CLEANING

When cleaning the fittings always use soap based cleaners. Never use abrasive or scouring powders and never use cleaners containing alcohol, ammonia, nitric acid, phosphoric acid or disinfectants.