

# 8 SPARE PARTS

- |     |                      |           |
|-----|----------------------|-----------|
| 1   | Lever                | B960651AA |
| 3   | Cap(Blue/Red)        | B960426NU |
| 4   | Cap,w/O-Ring         | B960368AA |
| 5   | O-Ring 40x1          | B960277NU |
| 6   | Volume stop          | A860700NU |
| 7   | Screw M4x45.5        | A961957NU |
| 8   | Cartridge 47mm       | A960500NU |
| 9   | O-Ring-set           | A961155NU |
| 11  | O-Ring 28x2          | A963299NU |
| 12  | O-Ring 9x2           | A961868NU |
| 14  | Ball joint M18x1     | A960019AA |
| 15  | Flowstraitener M18x1 | B960653AA |
| 15a | Aerator M18x1 in bag | B964902AA |
| 16  | Pop-up drain-ass.    | A961230AA |
| 17  | Connecting set       | B964894NU |
| 18  | Flex hose            | B960511NU |
| 19  | O-Ring 7.65x1.78     | B960341NU |
| 20  | Pop up waste set     | A964527AA |
| 21  | Pop up waste shackle | A963404NU |

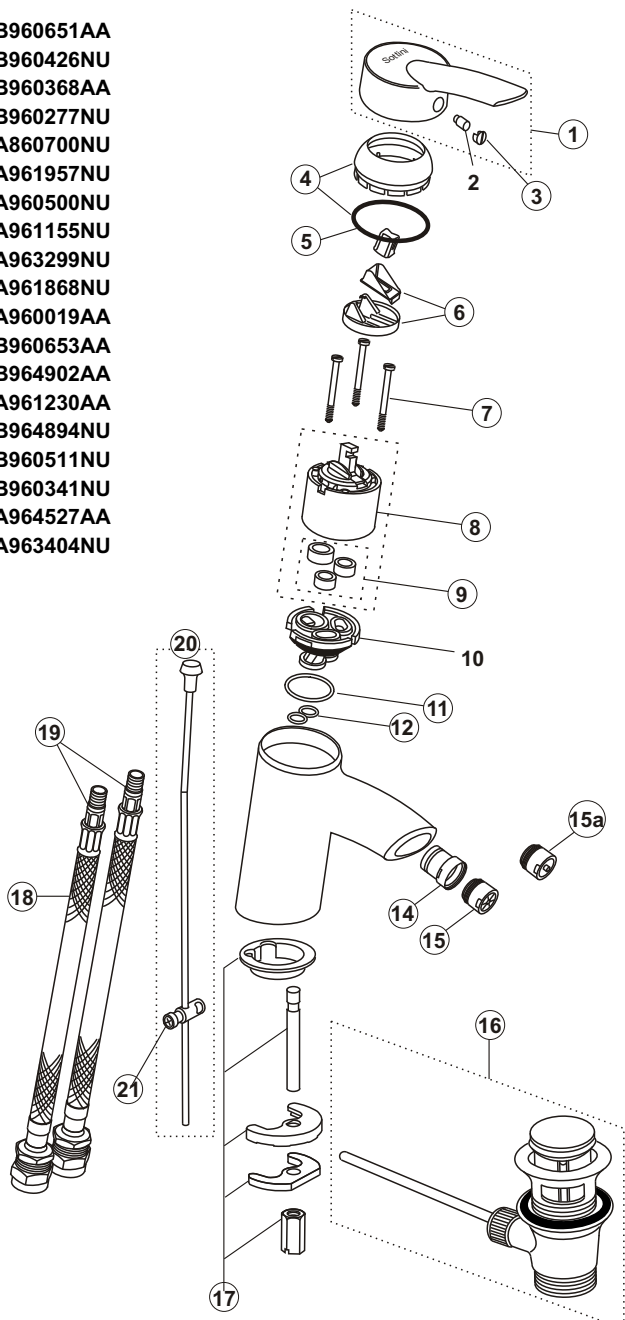


Figure 7 B8430AA Celano Single Lever Bidet Mixer

- |    |                            |           |
|----|----------------------------|-----------|
| 1  | Lever handle               | B960652AA |
| 2  | Screw                      | B960491NU |
| 3  | Cap(Blue/Red)              | B960426NU |
| 4  | Cap                        | B960493AA |
| 6  | Handle carrier             | A960034NU |
| 7  | Multiport locking ring     | A963022NU |
| 8  | O-Ring 35x3.2              | A962715NU |
| 9  | Multiport cartridge 40 H/F | A960145NU |
| 11 | Flowstraitener             | A960395NU |
| 12 | Connecting set             | B960492NU |
| 13 | Inlet tail 15mm Cu         | A960133NU |
| 14 | O-Ring 15.6x1.78           | A961182NU |

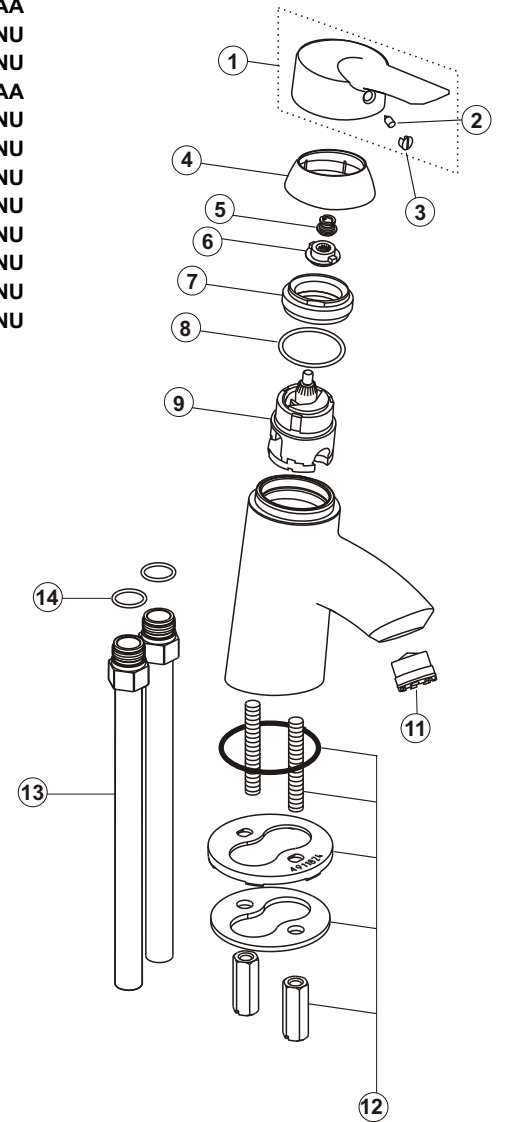


Figure 8 B8431AA Celano Single Lever Bath Filler

## Installation Instructions CELANO Single Lever Bathroom Fittings

- B8429AA CELANO BASIN S/L MIXER WITH POP-UP WASTE
- B8430AA CELANO BIDET S/L MIXER WITH POP-UP WASTE
- B8431AA CELANO BATH FILLER S/L

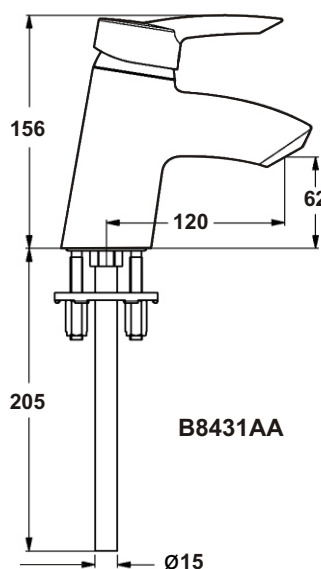
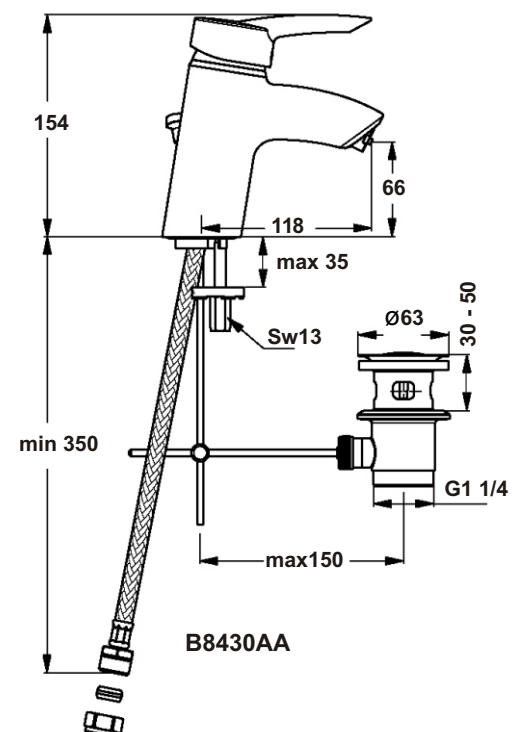
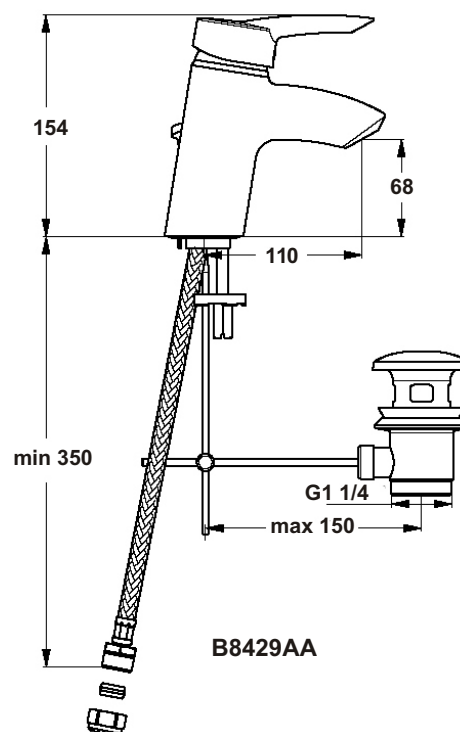


Figure 9



CUSTOMER CARE HELPLINE  
**0870 129 6085**

CUSTOMER CARE FAX  
**01482 499611**

E-MAIL  
UKcustcare@IdealStandard.com

Sottini pursues a policy of continuing improvement in design and performance of its products. The right is therefore reserved to vary specification without notice.

Sottini is a division of Ideal Standard (UK) Ltd

Sottini  
The Bathroom Works, National Avenue  
Kingston-upon-Hull, HU5 4HS England

4700 04/08

B865322

# Sottini

**INSTALLER: After installation please pass this instruction booklet to user**

## 2 RANGE, SUPPLY CONDITIONS & OPERATION

The fittings covered by this installation and maintenance instruction should be installed in accordance with the water regulations published in 1999\*, therefore, Sottini would strongly recommend that these fittings are installed by a professional installer

\*A guide to the Water Supply (Water Fittings) Regulations 1999 and the Water Byelaws 2000, Scotland, is published by WRAS (Water Regulations Advisory Scheme) Fern Close, Pen-y-Fan Industrial Estate, Oakdale, Newport, NP11 3EH. ISBN 0-9539708-0-9

### WATER SUPPLIES

Celano single lever fittings are designed for use on systems where the water pressure is a minimum of 0.1 bar (0.2 bar for bidet) and they are suitable for use up to a pressure of 5.0 bar.

For fittings at pressures above 2.0 bar it may be found desirable to replace the flow straighteners with the aerators (supplied).

It is recommended that the hot and cold supply pressures are reasonably balanced and from a common source.

### CONNECTIONS

It may be necessary to insert the flexible inlet tails of the Basin and Bidet fittings through the tap hole from below before screwing them into the fitting body as the inlet end connectors may not pass through the tap hole when fitted. Ensure they are tightened before securing the fitting to the tap deck.

- |                       |  |
|-----------------------|--|
| Basin/bidet monoblock | - Flexible inlet tails with<br>15mm compression connectors |
| Bath Filler           | - 15mm copper tails  |

For the Bath Filler only it should be noted that the hot supply should be connected on the right and the cold connection on the left.  
(See Figure 2)

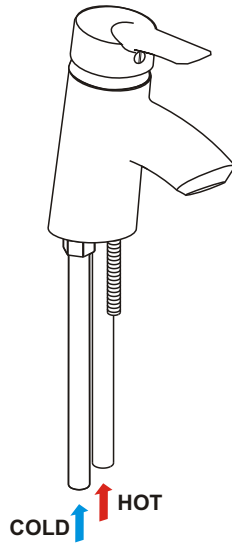


Figure 2 Bath Filler Connections

## 3 LOCATION & FIXING

### ONE HOLE BATH FILLERS

#### IMPORTANT NOTE

These one hole bath fittings are designed for a corner installation (see fig 6) or a position along the front side rim of the bath. Do not fit in line with the overflow assembly

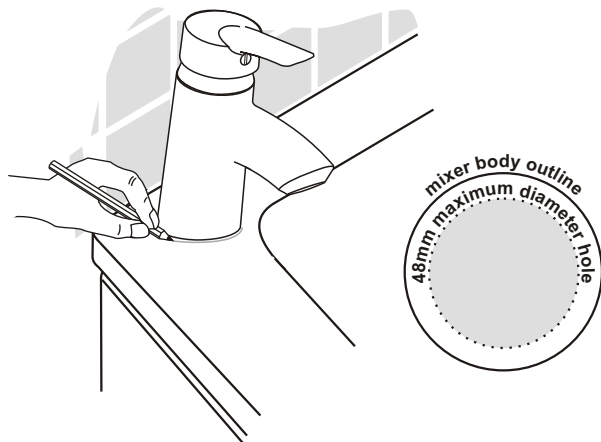


Figure 3 Drilling the bath tub

The one hole bath filler requires a bath supplied without tap holes. The installer will have to drill a 48mm diameter hole in the rim but before doing this it is worth considering the following questions.

- Will a shower screen, if fitted, foul the fitting?
- Is there adequate space for the handle rotation?

Check the position before fitting the inlet tails and draw a pencil line around the base of the mixer (Fig 3).

In the centre of the of the outline, drill a 48mm hole. (It is important not to exceed this size otherwise the sealing washer may not seal correctly.)

## 4 CARTRIDGE REPLACEMENT

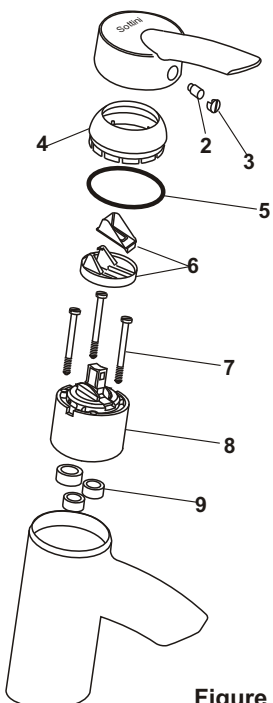
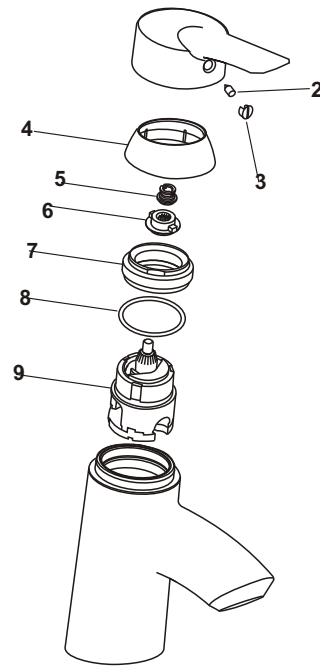


Figure 4 Basin and Bidet Mixers

#### Basin and Bidet Fittings

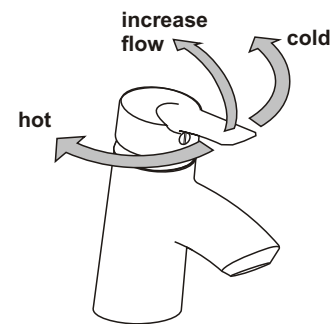
1. Turn off both hot and cold water supplies.
2. Raise lever handle fully, remove plastic index cap (3) and undo grub screw (2). Pull off handle.
3. Pull off shroud (4).
4. Remove click mechanism components (6).
5. Undo screws (7). The cartridge (8) can then be lifted out.
6. Ensure seals (9) have been removed with the cartridge.
7. Position new cartridge ensuring the location peg engages in the appropriate hole and reverse the above procedure for assembly.



1. Shut off the water supplies.
2. Raise lever handle and prise out index button (3).
3. Unscrew grub screw (2) and pull off handle and shroud (4)
4. Unscrew Nut (5) and remove the handle carrier (6)
5. Unscrew cartridge retaining nut (7)
6. Lift out the multiport cartridge (9)
7. Position replacement cartridge ensuring that the moulded location pin engages in the location hole and not in one of the inlet ports.
8. Refit locking nut (7) and tighten. The ideal torque is 4 Nm. This is only a little more than hand tight; indeed it is possible to tighten the nut sufficiently wearing stout gloves. If over-tightened the cartridge will be stiff to operate and will have a limited life.
9. Replace handle carrier and lever handle. Lever handle is located correctly by the key on the cartridge spindle.

Figure 5 Single Lever Bath Filler

## 5 OPERATION



## 6 CLEANING

When cleaning the fittings always use soap based cleaners. Never use abrasive or scouring powders and never use cleaners containing alcohol, ammonia, nitric acid, phosphoric acid or disinfectants.

## 7 SPARE PARTS

- |     |                              |           |
|-----|------------------------------|-----------|
| 1   | Lever                        | B960651AA |
| 3   | Cap(blue/red)                | B960426NU |
| 4   | Cap,w/O-Ring                 | B960368AA |
| 5   | O-Ring 40x1                  | B960277NU |
| 6   | Volume stop                  | A860700NU |
| 7   | Screw M4x45.5                | A961957NU |
| 8   | Cartridge 47mm               | A960500NU |
| 9   | O-Ring-set                   | A961155NU |
| 11  | O-Ring 28x2                  | A963299NU |
| 12  | O-Ring 9x2                   | A961868NU |
| 17  | Flex hose                    | B960511NU |
| 18  | O-Ring 7.65x1.78             | B960341NU |
| 19  | Pop up waste set             | A964527AA |
| 20  | Pop up waste shackle         | A963404NU |
| 14  | Flowstraitener cache M21.5x  | A960191NU |
| 14a | Aerator h/comb cache M21.5x1 | B960366NU |
| 15  | Pop-up waste                 | A961230AA |
| 16  | Fixing set                   | B964894NU |

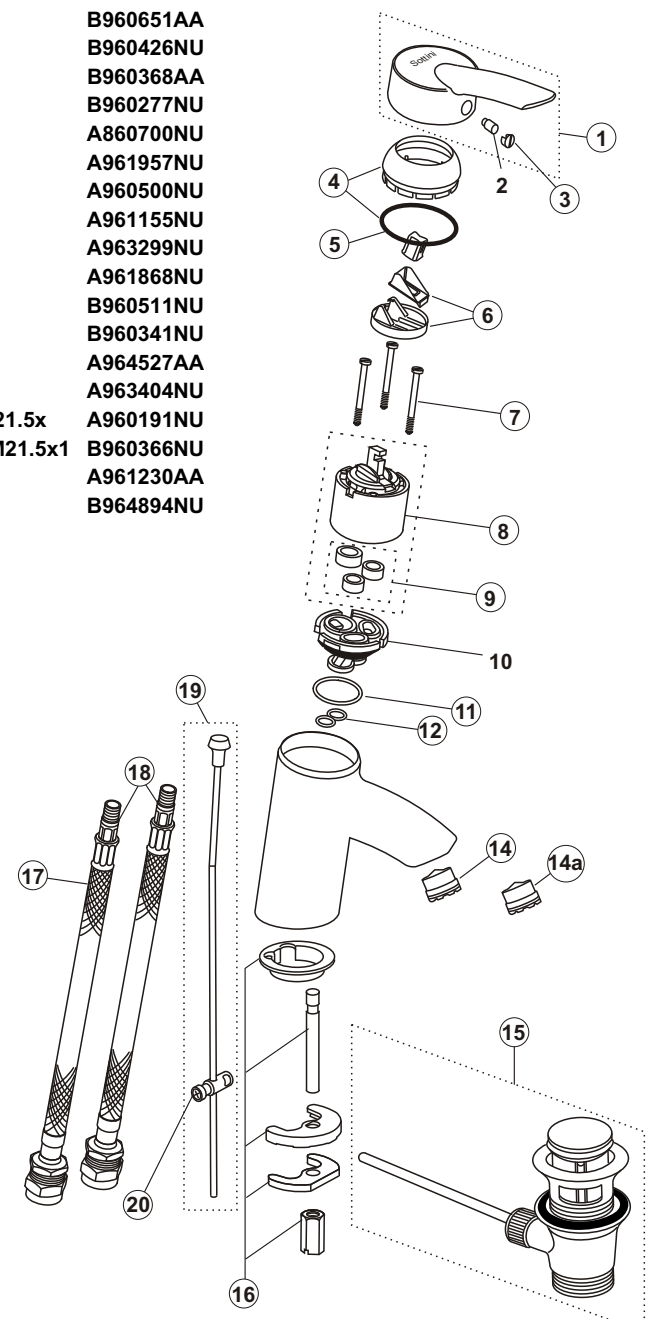


Figure 6 B8429AA Celano Single Lever Basin Mixer