

6 Technical data

Test pressure:

1,6 MPa (16 bar / 232 psi) max.

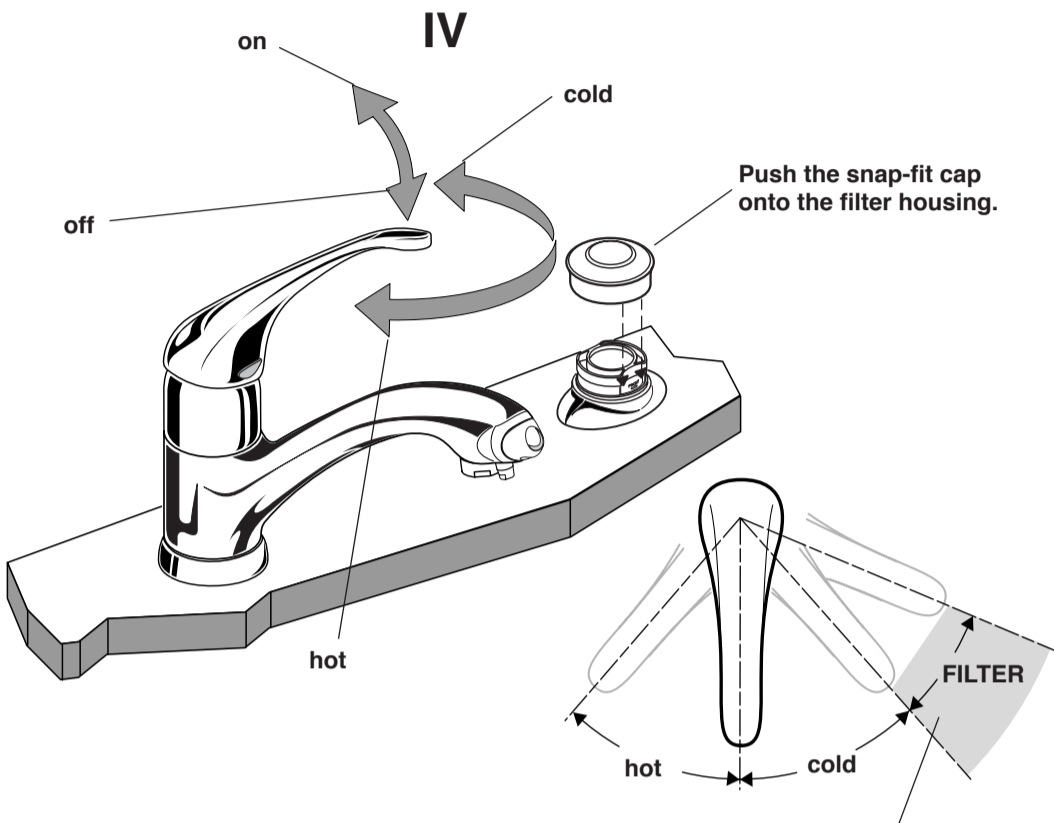
Flow rate:

0,3 MPa (3 bar / 43,5 psi)
= 10l/min
FILTER = 2,8l/min

Temperature:

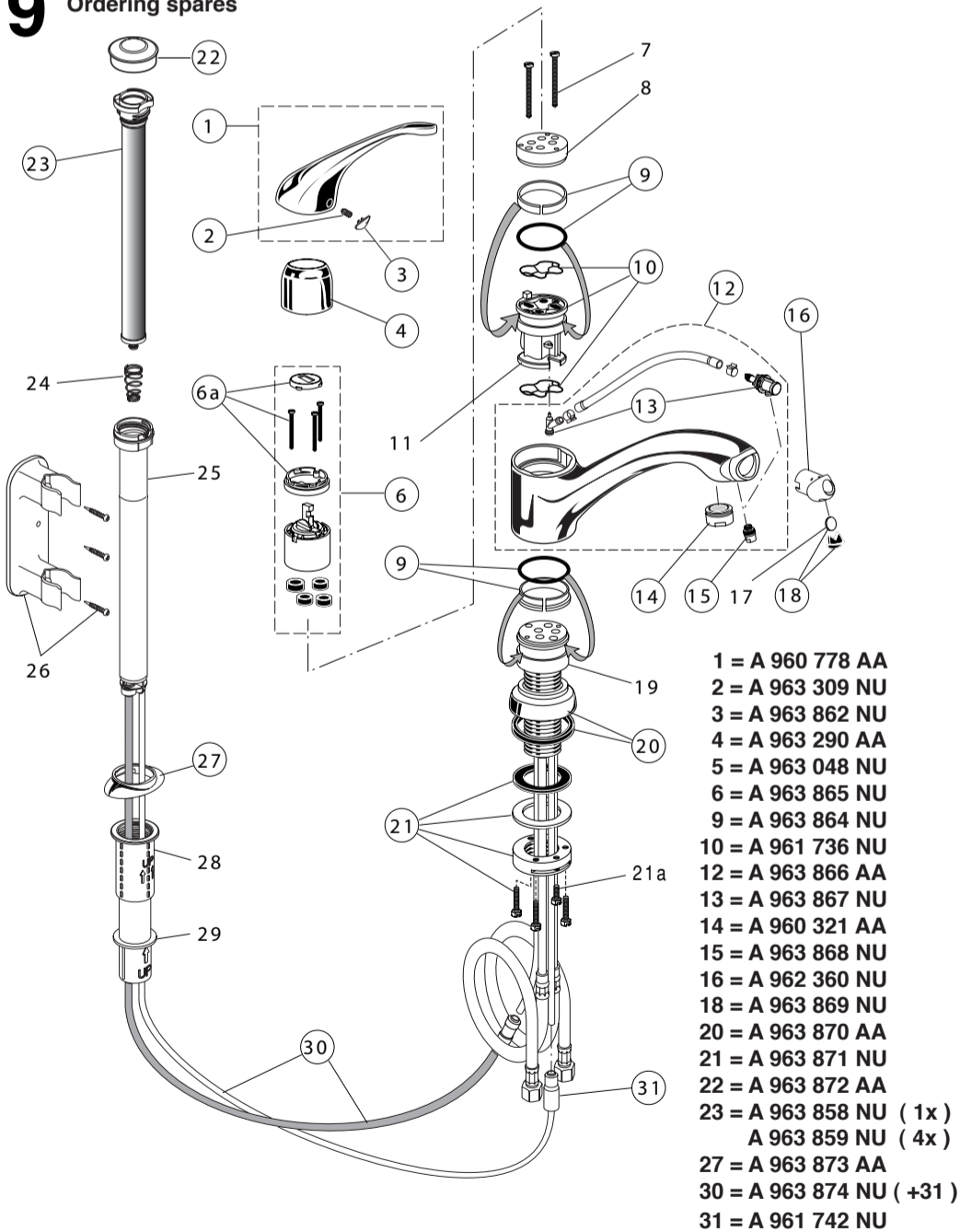
60°C max.

7 Operation

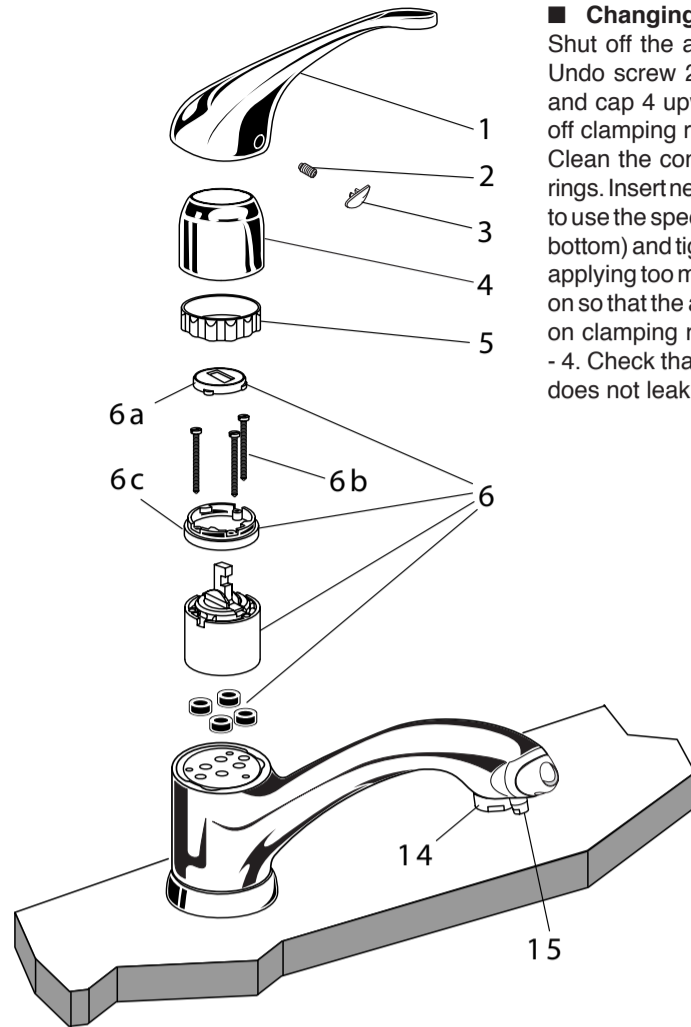


To draw off filtered water, press the lever handle to the right in the OFF position.

9 Ordering spares



8 Changing the cartridge



Changing the cartridge

Shut off the angle valves. Prise out stopper 3. Undo screw 2 (key size 2.5). Pull off handle 1 and cap 4 upwards. Prise off limit stop 6a, pull off clamping ring 5 and remove screws 6b. Clean the contact surface of the cartridge seal rings. Insert new cartridge with adapter 6c (be sure to use the special cartridge with 4 seal rings in the bottom) and tighten screws 6b alternately without applying too much force. Press limit stop 6a back on so that the arrows are pointing forwards. Push on clamping ring 5. Refit the remaining parts 1 - 4. Check that the fitting functions correctly and does not leak.

8 Changing the aerator 14 or jet controller 15

Unscrew and remove the aerator (spanner size 22). Clean the sieve under running water or fit a new one. Jet controller 15 does not normally need cleaning. If it does become clogged, unscrew and remove it for cleaning and then screw back in.

ClearTap™

Kitchen Fitting with Water Filtering System

Ideal Standard

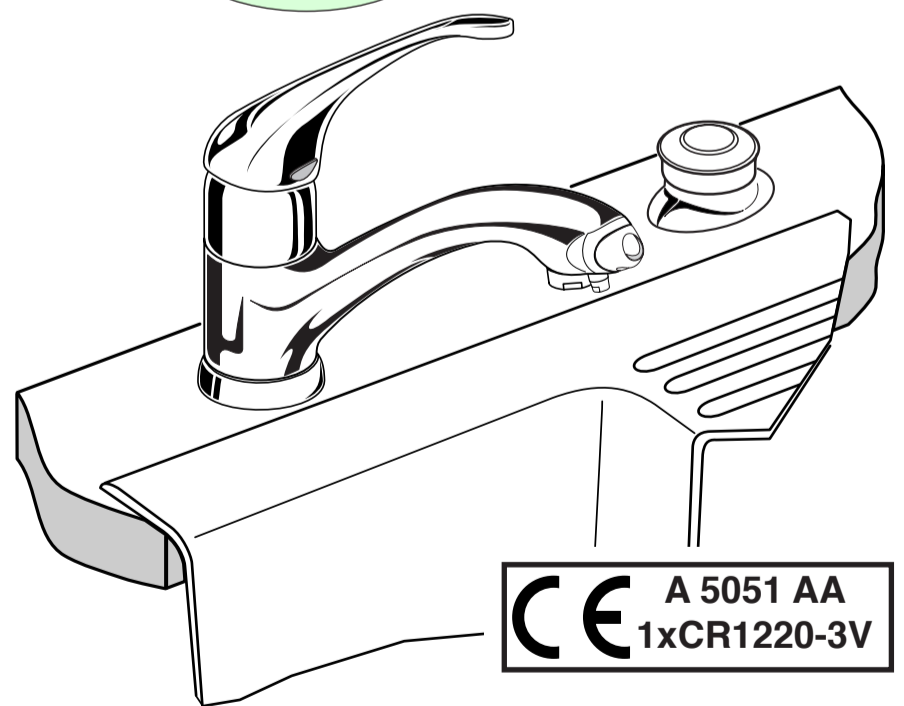
TDA 1128 / 0205 / 965 819
Made in Germany

Type:

A 5051 AA

English

2



Installation Instructions

Please hand over to the user of the fitting.

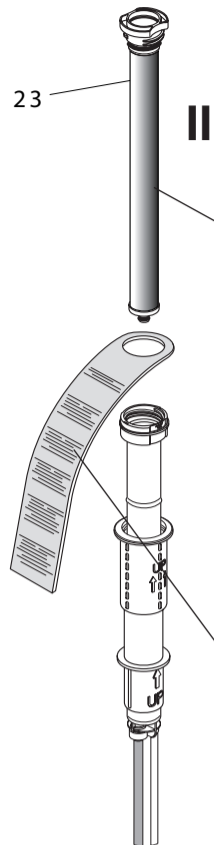
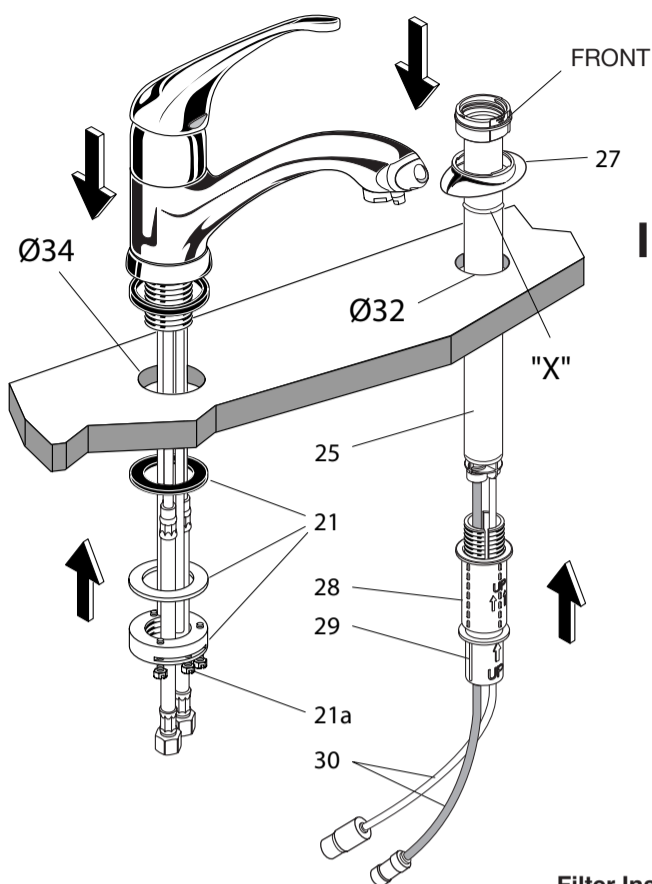
Owner's Manual

Your plumber

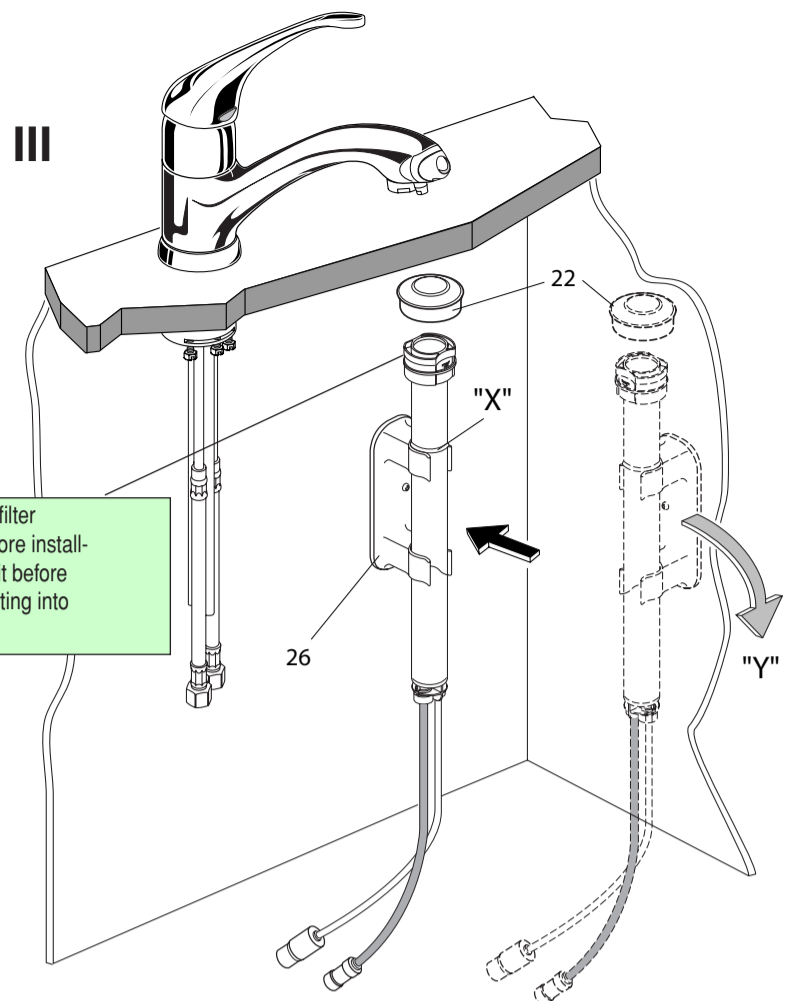
Hersteller:
 Ideal Standard
 D-54516 WITTLICH
 Ideal Standard
 The Bathroom Works
 National Avenue
 Kingston upon Hull
 HU5 4HS
 Customer care line:
 Tel: 01482 499685

1 Please read these instructions carefully before commencing installation.

2 Installation only by an expert.



Remove the filter cartridge before installation and refit before putting the fitting into operation.



Please note: **Remove filter - discard tag - reinstall filter - reset readout**

Filter Installation as in Fig. I

Remove filter 23, pull off the cardboard tag and read it (see Fig. II).

Fit filter housing 25 with escutcheon 27 into the hole from above. The marking **Front** on the housing must point towards the front. Push clamping piece 29, with threaded piece 28 screwed down, over the plastic hoses and press upwards until the collar (X) snaps into place. Screw up the threaded piece 28 by turning clockwise and thereby fasten the filter housing.

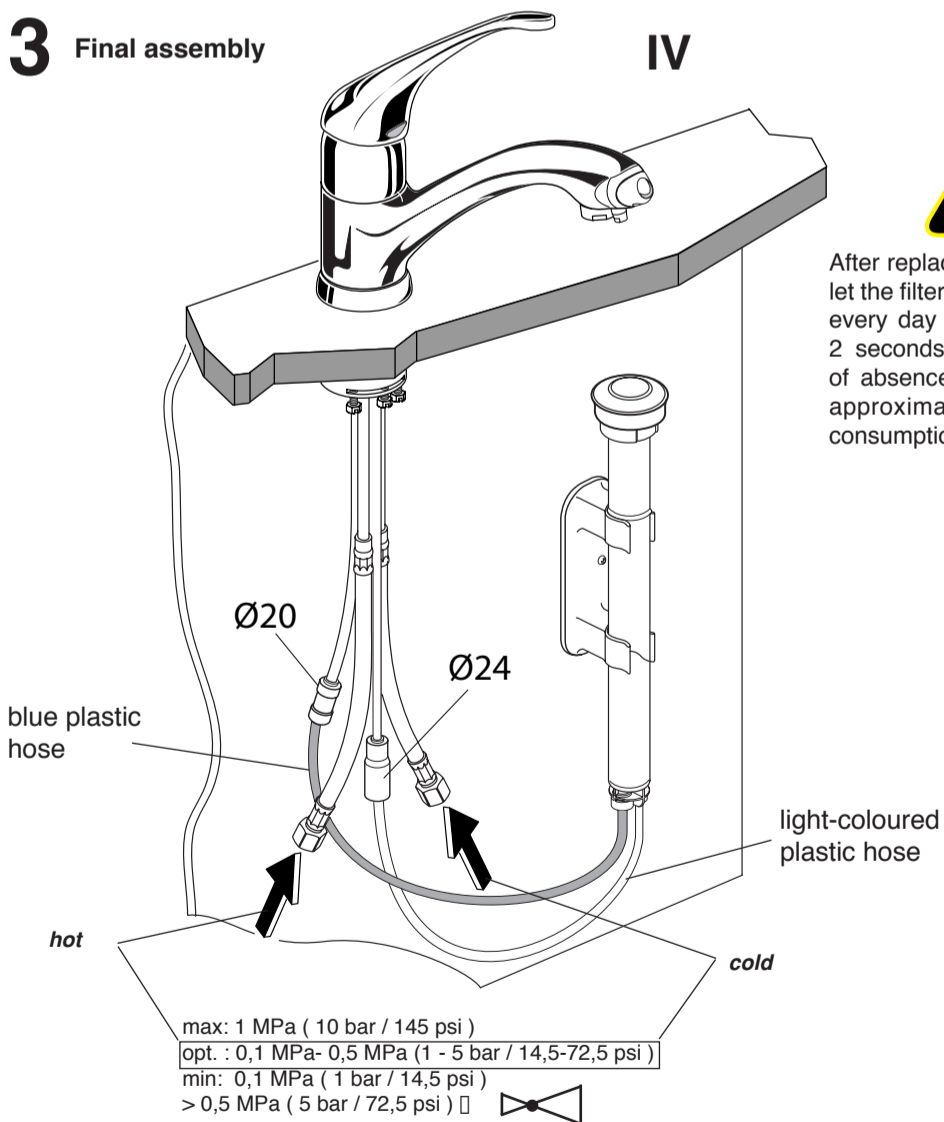
Filter installation as shown in Fig. III

Remove filter 23, pull off the cardboard tag and read it (see Fig. II).

Fasten holder 26 in the sink unit cabinet. It can be fitted to the back or side wall, vertically or almost horizontally (Y). If fitted horizontally, remember that water may escape when changing the filter. It is important that there is sufficient space for fitting the filter housing and that the plastic hoses can still be attached to the fitting. To fasten the filter housing, simply press it into the holder, ensuring that the collar (X) is in the correct position. Then refit the previously removed filter 23 (see Section 4).

■ Flush out the appliance thoroughly to remove any traces of dirt. Insert the fitting into the work surface or sink and fasten with parts 21. For this purpose, tighten the threaded ring by hand and turn the 3 long screws against the brass disc. Tighten screw 21a last of all so that the threaded ring is fastened and cannot work loose. Install filter housing 25 either in the work surface (see Fig. I) or concealed in the sink unit cabinet (see Fig. III).

3 Final assembly



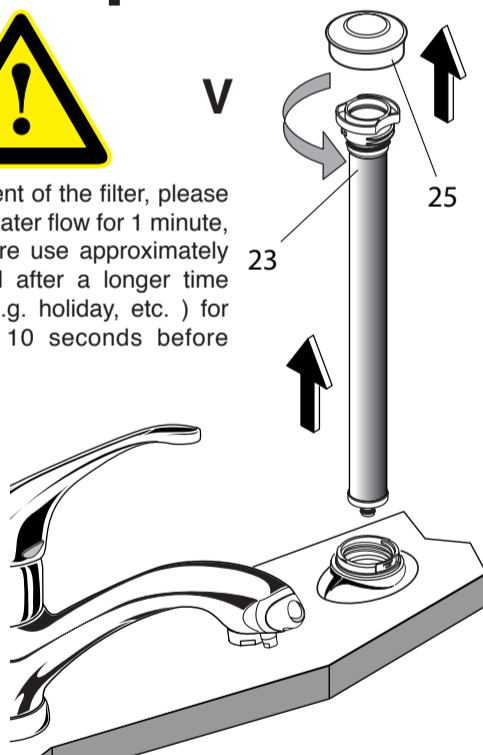
Connections as shown in Fig. IV / plastic parts 28 + 29 are not needed

Connect the two flexible metal hoses to the angle valves (G 3/8). Connect the supply lines of the filter housing to the fitting by pushing the blue hose (large plastic adapter dia. 20) onto the thicker copper pipe and the light hose (plastic adapter dia. 17) onto the thinner pipe. Push on both plastic adapters up to the limit stop and pull the plastic hoses gently downwards. This locks the adapters in place. **Fit the filter, see Section 4.** Turn on the hot and cold water supply and check that the fitting functions correctly and does not leak. For this purpose, see Section 7 - operation of the fitting.

4 Fitting and replacing the filter



After replacement of the filter, please let the filtered water flow for 1 minute, every day before use approximately 2 seconds and after a longer time of absence (e.g. holiday, etc.) for approximately 10 seconds before consumption.



Removing the filter

Turn the fitting off. If the fitting is installed in the work surface, remove cap 25 by pulling it upwards. Unscrew filter cartridge 23 by turning anticlockwise (2 full turns). If the fitting is installed in the sink unit cabinet, pull the filter housing out of the holder (see also Fig. III) and screw out filter cartridge 23. Caution: water left in the cartridge may escape!

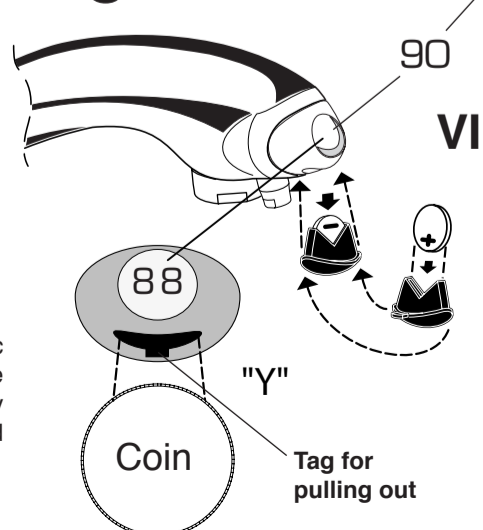
Installing the filter

Take the new cartridge out of its packaging, insert it, press it against the spring located in the filter housing and screw in up to the limit stop. Either push cap 25 back on or press filter housing back into the holder (see Fig. III, Detail X). Turn on the fitting in the filter position and, with the water running, press against the battery compartment with your fingernail or a coin until the LCD readout displays the 90 days again (see Fig. VI, Detail Y).

Service life of the filter cartridge

The filter cartridge must be changed after 90 days (or after approx. 950 l). As a reminder, the number of days for which the filter is still usable is shown on the LCD readout. After 90 days (CF - Change Filter - appears on the readout after the last day), fit a new filter cartridge as described in Section 4.

5 Changing the battery



Changing the battery

The battery has a life of between 3 and 5 years, depending on the degree of use. The LCD readout displays **LB** - Low Battery - weeks before, as a reminder. The battery will then last up to the next filter change.

Changing the battery: **Important! Always change the battery at the same time as changing the filter.**

Turn off the fitting and pull out the battery compartment (rubber tag). Fit a new battery, **Type CR 1220**, as shown in Diagram VI (Insert correctly. The + side must be facing the rubber tag) and refit the battery compartment with the rubber tag facing towards the fitting. Turn on the filter water and the number 88 will appear on the LCD readout for approx. 1 second, and then the 90.