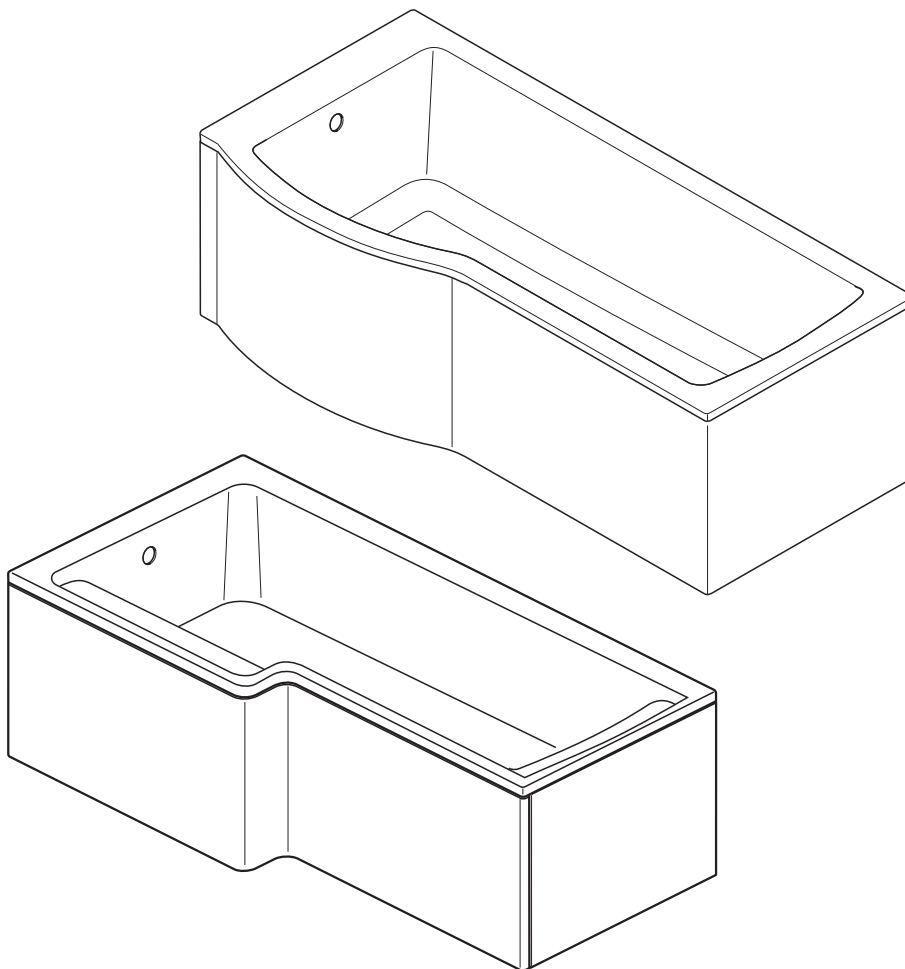




TEMPO IDEALFORM PLUS+ SHOWER BATH

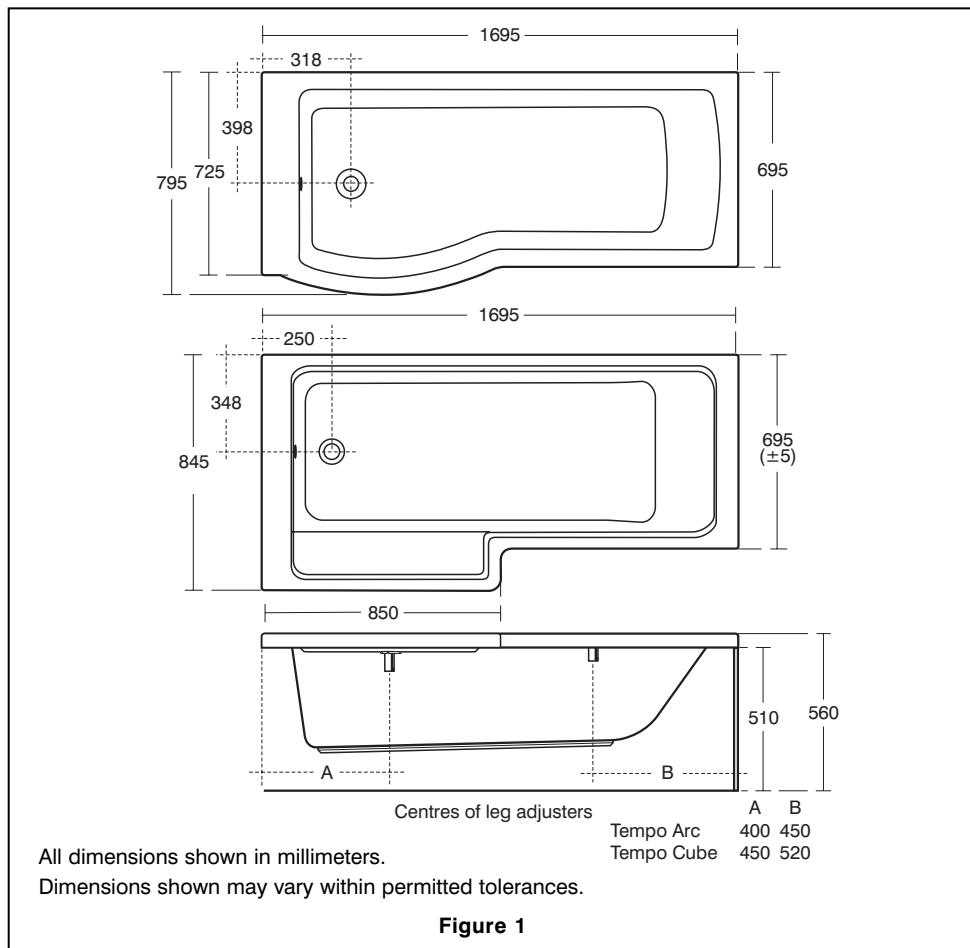
Installation Instructions

Please pass on to user



5041 09/13
EE75408967

TECHNICAL INFORMATION

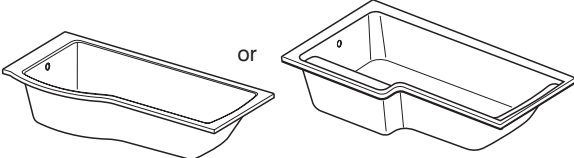
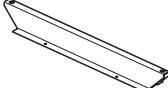


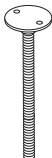
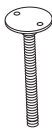



BEFORE YOU START








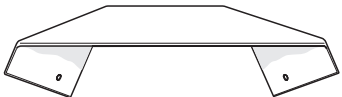
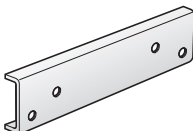
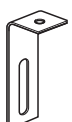

- Before commencing installation, carefully remove packaging/protective film and check for damage. If damaged, report immediately to supplier.
- Check the packs and make sure that you have all parts listed. If not, contact the supplier.
- Ensure the water feeds and waste connection points are positioned appropriately for the installation.
- Care should always be taken when drilling into walls and floors to avoid any sunken wires or pipes.
- The bath should be fully protected during the installation process.
- Please note: Although these instructions are comprehensive, it is always recommended that a technically competent installer should undertake installation.

Appropriate safety equipment/workwear should be used

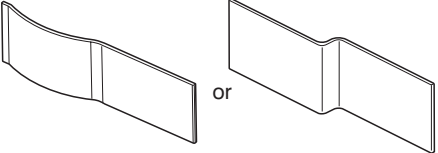



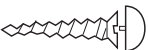
BATH COMPONENTS

Ref	Description	Qty
A	Bath 	1
B	Leg Support Beam 	2
C	Leg 	2
D	Nut 	4
E	Foot 140mm Long 	2
F	Foot 120mm Long 	2
G	Plastic Leg Adjuster 	2

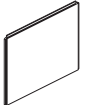


BATH COMPONENTS - FIXING PACK

Ref	Description		Qty
H1	No.8 X 16 Pan Head		14
H2	No.8 X 16 Pan Head (Pre attached to Ref G)		2
H3	Wall Plugs Small		2
H4	Wall Plug Screw Small		2
H5	Wall Plug Large		4
H6	Wall Plug Screw Large		4
H7	Side Wall Bracket Screw		2
I	Corner Wall Bracket		1
J	Wall Support Bracket		2
K	Side Wall Bracket		2
L	Curved Bath Support Leg Pack		1

FRONT PANEL (Sold & supplied separately)

Ref	Description		Qty
M	Front Panel		1
N	Plastic Panel Clip		5
O	Metal Panel Clip		4
P	No.8 x 19 Pan Head Self Tapping Screw		8
Q	Screw and Cover Caps		5

END PANEL (Sold & supplied separately)

R	End Panel		1
S	Panel Clip		2
T	No.6 x 12 Pan Head Self Tapping Screw		2

BATH ASSEMBLY

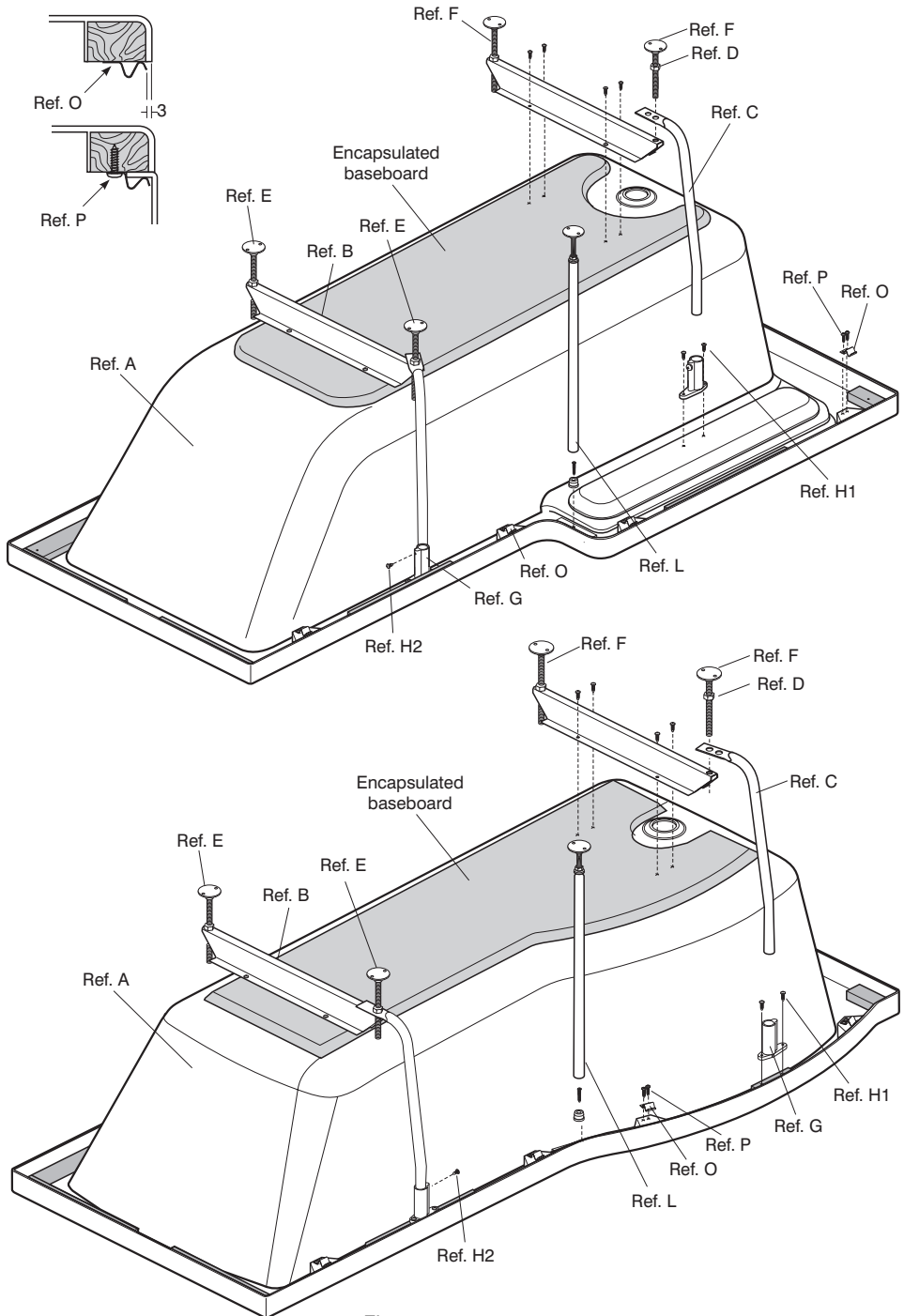


Figure 2

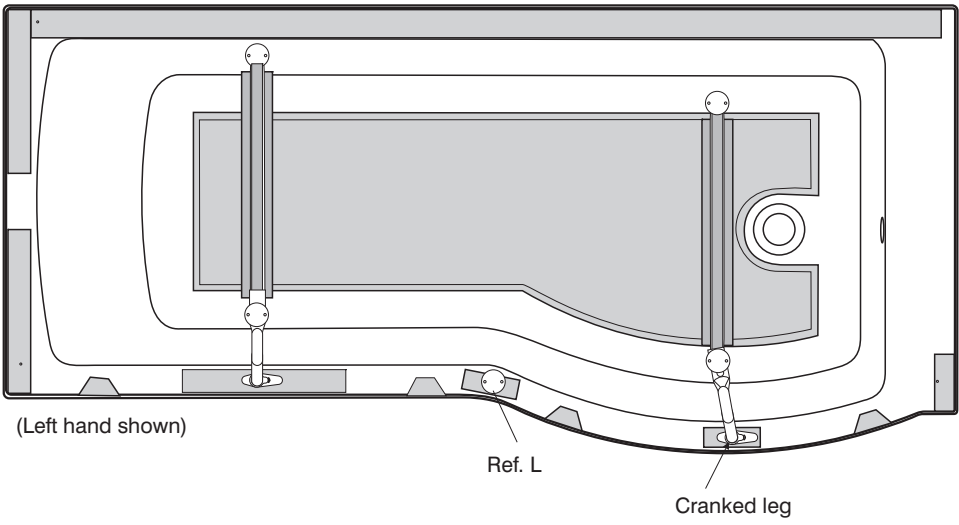


Figure 3

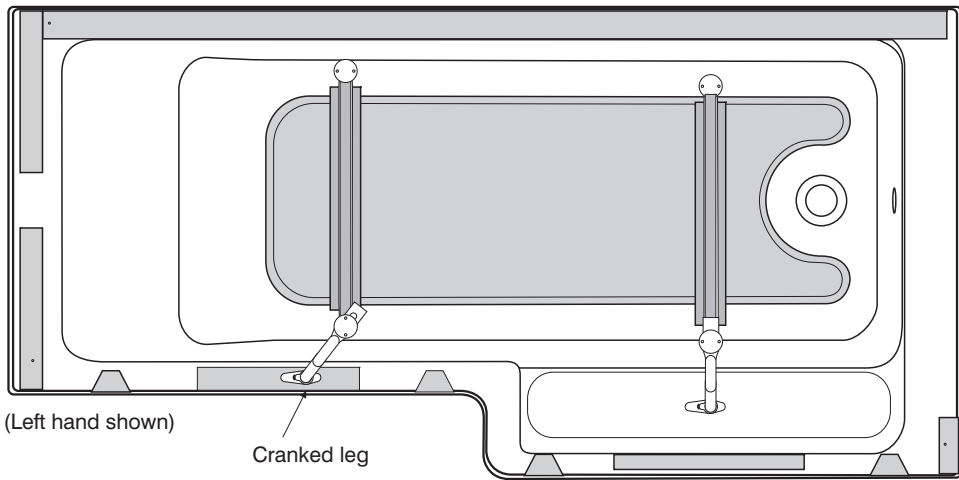


Figure 4

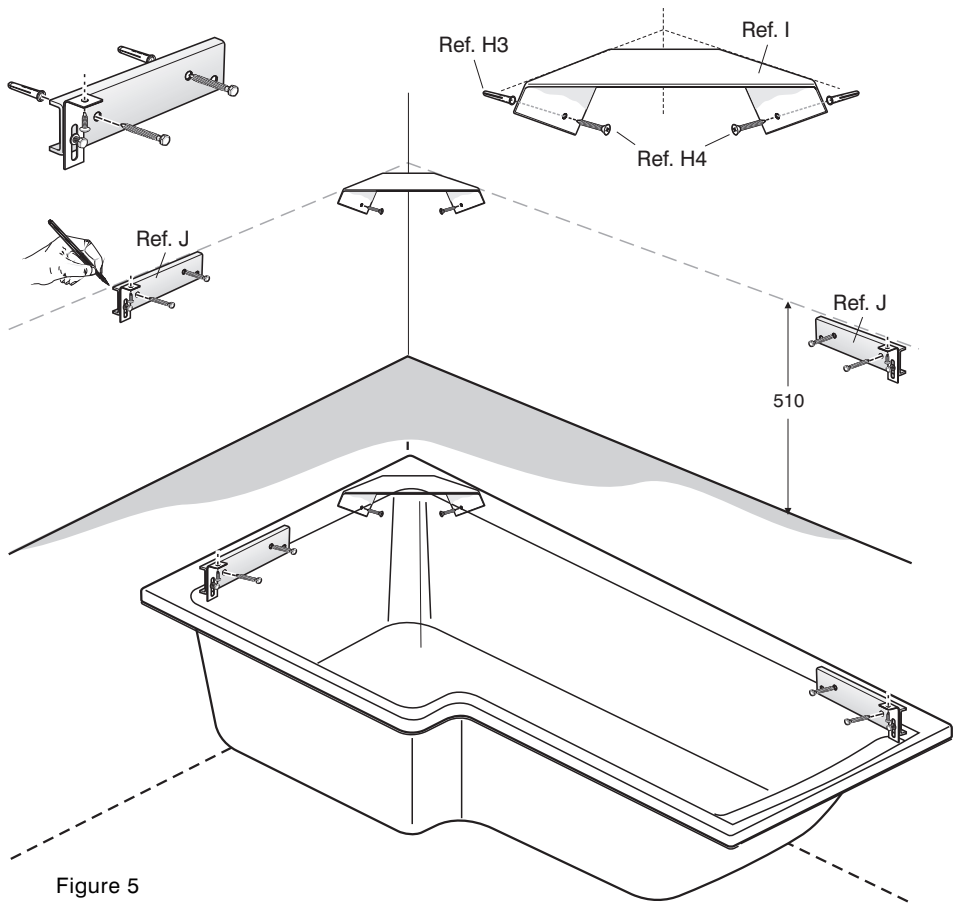


Figure 5

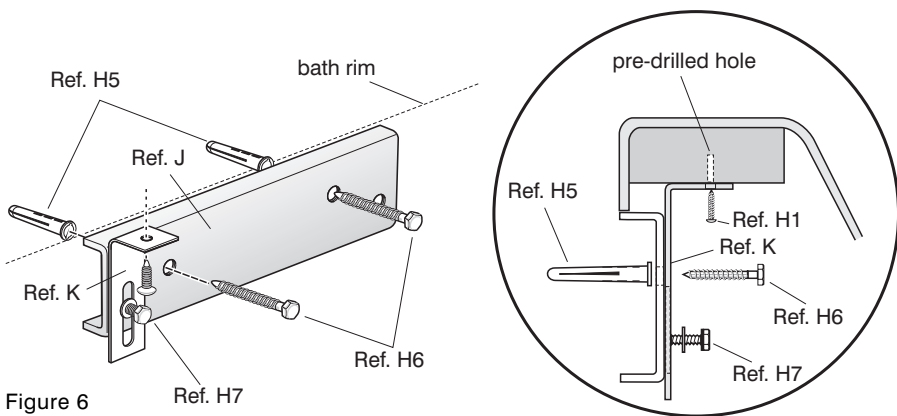


Figure 6

INSTALLATION

1. Lay bath face down onto a protective surface so as not to damage the bath. Fix leg adjusters, (Ref. G) onto bath into predrilled holes using screws (Ref H1). Assemble legs as shown in Fig 2.
2. Push leg sets in to leg adjusters and position leg beams onto baseboard. Mark the fixing hole positions on the baseboard. Pilot drill the 8 holes in the baseboard, using a 3mm drill to a depth of 6mm maximum. Fix the leg beams to the baseboard using screws (Ref H1). DO NOT OVER TIGHTEN
3. Locate the 2 pan head self tapping screws (Ref. H2) into leg adjusters and tighten. Adjust feet to give floor to top of rim height of 560mm
4. Position metal panel clips on to panel clip blocks, Fig. 2a. Pilot drill holes with a 3mm drill. Use screws (Ref. P) for securing clips.
5. Fit side wall brackets to bath (Ref. K), using pre-drilled holes as a guide. Secure with screws (Ref. H1). Assemble wall support bracket (Ref. J) onto bath.
6. Fit end panel spring clips (Ref. S) onto bath with screws (Ref T).
7. Fit the single support leg black end cap in a suitable area on the framework, Figs. 2 & 3.
8. Flip bath onto feet. NOTE: If the bath is to be installed at a lower height than normal, then provision for the waste trap to be recessed into the floor may be necessary. Also the bath panel(s) will need to be cut down in height. If lowering panel heights, remove the material from the bottom of the panel(s) and use wooden blocks (not supplied) to secure to the floor. Reducing the panel height requires great care and Ideal-Standard cannot accept responsibility for any damage caused.
9. Fit brassware and waste fittings. If the bath is to be installed with a monoblock mixer a special hole (or holes) is required to accommodate the mixer and will have to be cut by the installer in an appropriate position on the rim of a no tap hole bath to suit the bathroom layout. Full details or a template for cutting the hole (or holes) is supplied with monoblock fittings. A template for cutting two tap holes is supplied with the bath. Cut tap holes, and fit supply fittings, waste, overflow and trap.
10. Fasten corner wall bracket (Ref. I) onto wall at the correct height (510mm nominal).
11. Place bath into installation position. Ensure bath is levelled and set at the correct height (510mm to trimmed edge).
12. Fix bath to wall.

13. Fix bath to floor, ensuring that all nuts are tight and that the bath is level. Re-adjust if necessary. Trail fit the panel(s) to verify height is correct.
Note: Untrimmed panel fitment requires the height of 560mm (510 to trimmed edge of bath). Remember to allow for floor covering thicknesses.
14. Connect services, test for satisfactory operation of fittings and ensure there are no leaks.
15. Fit the support leg (Ref. L) to the black cap previously fastened to the framework. Ensure that the leg is adjusted correctly to support the rim but not force the rim upwards.
16. Tile down to the height of the bath rim leaving a 3-4mm gap for waterproof sealant. An extruded sealing strip can be used for the bath to wall joint as an alternative to waterproof sealant. Protect bath during tiling.

Fixing the bath panel

17. Pre fit front panel ensuring that the ends of the panel are vertical. Mark a line along the front of the panel on the floor. Remove panel and fix the plastic panel clips onto the floor/wall(s) (Figure 7). The front of the block at the floor should be 3mm back from the marked line.

Note: The front panel may touch the support leg foot, (Ref. L), depending on its position. Remedy this by removing a small amount of material from the panel return.

18. Fit the end panel by using a wooden batten along the floor for support and engaging the top of the panel in front of the spring clips.

19. Fit front bath panel in position and press the edges into the panel clips until fully engaged.
Note: Fit end panel before front panel. If the front panel does not easily insert under the panel clips, then release the screws by a quarter of a turn and retry.

Note: if the front panel has had the returns trimmed off, then the plastic panel clips will not grip the panel base. In this instance, use wooden blocks (not supplied) to secure

the panel to the floor/wall. Screws with cover caps are supplied for this method of fixing.

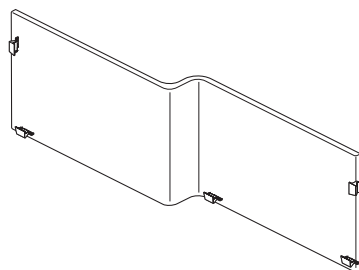


Figure 7

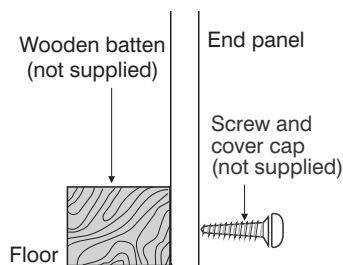


Figure 8

CARE OF BATH

This bath left our works in first class condition and the following points should be noted;

TO AVOID DISAPPOINTMENT, PLEASE REMOVE THE PROTECTIVE FILM AND INSPECT BEFORE INSTALLATION.

Responsibility will not be accepted for the installation of faulty baths.

Care of bath - for the installer:

Keep under cover in a clean, dry, weather-proof place.

Do not drop. Protect completely during and after installation (with clean felt etc.).

When making joint to waste, overflow etc. on this product, DO NOT use linseed oil putty or similar based sealing compounds. Ensure rubber washers supplied with waste fittings are located correctly to give watertight seal.

Test the fittings and then do not use the bath for any other purpose.

Please leave this leaflet for the end user to read.

WARNING

- 1. Filling.** It is advisable always to run in some cold water before turning on the hot tap.
- 2. Cleaning.** The bath should always be cleaned immediately after use, preferably whilst the water is running out and the bath is still warm. The film of insoluble soap products, body fats and grime which will otherwise harden on the side of the bath is easily removed at this stage. In hard water districts insoluble lime salts are deposited below the waterline and under leaking taps. If this deposit is allowed to build up, it becomes increasingly difficult to remove and looks unsightly. Prompt cleaning is again the answer. Hot soapy water with a cloth should be used and the bath wiped dry.
- 3. Cleaners of a gritty or abrasive nature should never be used.** Worn washers on dripping taps should be replaced.
- 4. Chemicals.** Acrylic has good resistance properties to acids and alkalis but should not be allowed to come into contact with organic solvents such as dry cleaning agents and paint strippers.
- 5. Removal of scratches.** In the event of slight scratches in the bath surface a mild abrasive, similar to metal polish, can be used to polish these out.
- 6. Burning cigarettes** should not be allowed to come into contact with the surface of this bath or damage may ensue.

Product Guarantee

2 5 Y E A R S

Idealform Acrylic baths

1 0 Y E A R S

Shower enclosures and bath screens

5 Y E A R S

**Valves and kits, bath panels
taps and mixers**

This covers products in domestic use by the consumer and not commercial or business use.

All Ideal Standard products must be installed, used and cared for in line with our fixing instructions, local water byelaws and current water regulations.

Access should always be left for installation, service and repair.
Any relating costs are the responsibility of the owner/installer.

Guaranteed parts will be replaced if found faulty.

This guarantee does not cover general wear and tear.

Applies to the UK and Republic of Ireland only.

Proof of purchase will be required for any warranty claim.

CUSTOMER CARE HELPLINE

0870 1296085

FAX LINE 01482 499611

email: ukcustcare@IdealStandard.com

We pursue a policy of continuing improvement in design and performance of our products. The right is, therefore, reserved to vary specifications without notice.