

Fig 16 Basin Fittings

Fig 17 Pillar Taps

Fig 19 One-hole Bath Fittings

Fig 18 Two-hole Bath Fittings

- 1 Set of red & blue index buttons
- 2 Screw M4 x 12mm
- 3 Ceraplan Disc handle
- 4 Drive insert
- 5 1/2" SE cartridge hot
- 6 1/2" SE cartridge cold
- 7 Flow straightener
- 8 Sealing washer
- 9 Top-fix clamp
- 10 Pop-up waste complete
- 11 Pop-up waste plug
- 12 Flexible inlet tails
- 13 Pop-up rod complete with clamp
- 14 Slotted waste complete
- 15 Weighted chain and plug
- 16 Aerator
- 17 Bidet swivel
- 18 Basin pillar tap fixing set
- 19 Bath pillar tap fixing set
- 20 Sealing gasket, 2-hole bath fittings
- 21 Divertor, 2-hole bath/shower mixer
- 22 Shower hose, 2-hole mixer
- 23 Shower handspray
- 24 Showering station
- 25 3/4" SE Cartridge hot
- 26 3/4" SE Cartridge cold
- 27 Shower hose restraining bracket
- 28 Flow straightener, 1-hole bath fittings
- 29 Divertor, 1-hole bath/shower mixer
- 30 Allen key
- 31 135° elbow
- 32 Check valve
- 33 Diverter knob
- 34 Deck sealing o-ring
- 35 Fixing set, 1-hole bath fittings
- 36 O-rings
- 37 Inlet tails 15mm copper
- 38 Shower hose 1-hole mixer

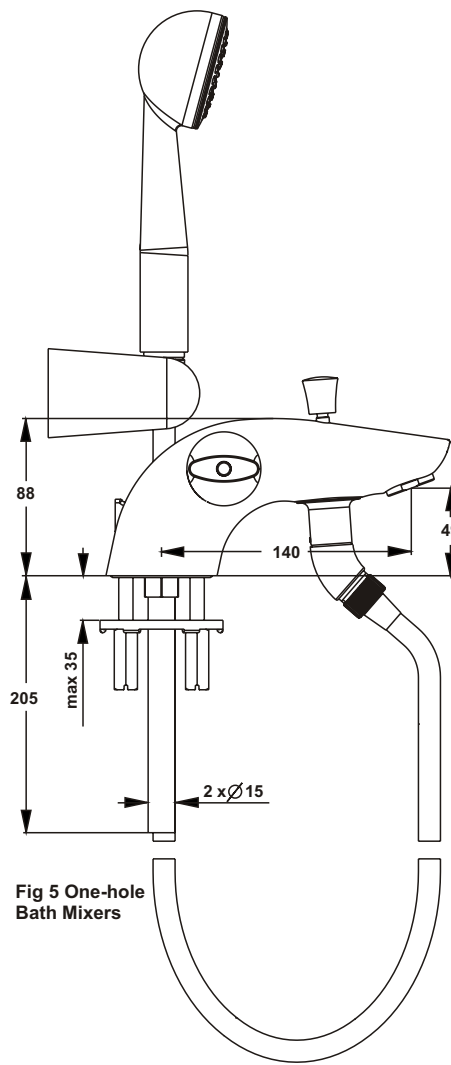


Fig 5 One-hole Bath Mixers

Installation Instructions CERAPLAN DISC Ceramic Disc Dual Control Bathroom Fittings

- | | | | |
|---------|----------------------------------|---------|--------------------------|
| B8242AA | Basin Monoblock + Pop-up | B8252AA | Basin Pillar Taps |
| B8243AA | Basin Monoblock + Weighted Chain | B8253AA | Bath Pillar Taps |
| B8244AA | Bath Filler Monoblock | B8254AA | Bath Filler 2-hole |
| B8245AA | Bidet Monoblock | B8255AA | Bath Shower Mixer 2-hole |
| B8246AA | Bath Shower Mixer Monoblock | | |

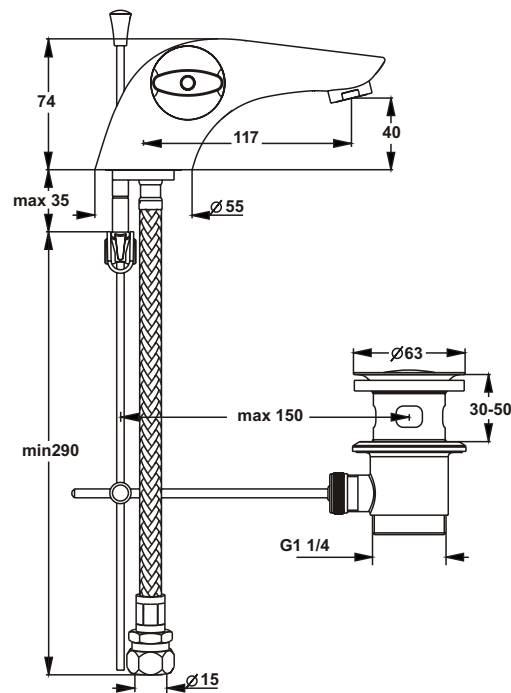


Fig 1 Basin Monoblocks

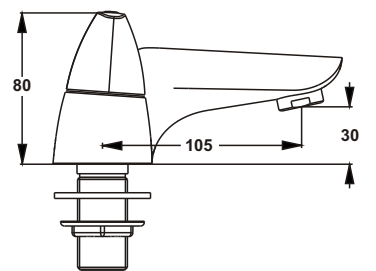


Fig 2 Two-hole Bath Fittings

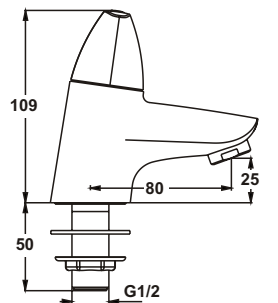


Fig 3 Basin Pillar Taps

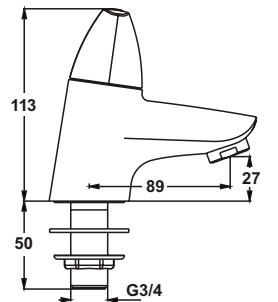


Fig 4 Bath Pillar Taps

CUSTOMER CARE HELPLINE
0870 129 6085

CUSTOMER CARE FAX
01482 499611

E-MAIL
ukcustcare@aseur.com

Ideal Standard pursues a policy of continuing improvement in design and performance of its products. The right is therefore reserved to vary specification without notice.

Ideal Standard is a division of Ideal Standard (UK) Ltd

Ideal Standard
The Bathroom Works, National Avenue
Kingston-upon-Hull, HU5 4HS England

Ideal Standard

2 RANGE, SUPPLY CONDITIONS & OPERATION

The fittings covered by this installation and maintenance instruction should be installed in accordance with the water regulations published in 1999*, therefore, Ideal Standard would strongly recommend that these fittings are installed by a professional installer

WATER SUPPLIES

Ceraplan Disc fittings are designed for use on systems where the water pressure is a minimum of 0.1 bar (0.2 bar for bidet) and they are suitable for use up to a pressure of 5.0 bar.

For fittings at pressures above 2.0 bar it may be found desirable to replace the flow straighteners with Neoprene aerator/flow restrictors (not supplied). These can be obtained by contacting the customer care team (see back cover) and quoting the following reference numbers:

A960321AA Basin, bidet and 2-hole bath fittings

A960309AA 1-hole bath fittings

It is recommended that the hot and cold supply pressures are reasonably balanced and from a common source.

CONNECTIONS

It may be necessary to insert the flexible inlet tails of the Basin and Bidet fittings through the tap hole from below before screwing them into the fitting body as the inlet end connectors may not pass through the tap hole when fitted. Ensure they are tightened before securing the fitting to the tap deck.

Basin pillars	- G $\frac{1}{2}$
Bath pillars and 2-hole bath fittings	- G $\frac{3}{4}$
Basin/bidet monoblock	- Flexible inlet tails with 15mm compression connectors
Bath monoblocks	- 15mm copper tails

*A guide to the Water Supply (Water Fittings) Regulations 1999 and the Water Byelaws 2000, Scotland, is published by WRAS (Water Regulations Advisory Scheme) Fern Close, Pen-y-Fan Industrial Estate, Oakdale, Newport, NP11 3EH. ISBN 0-9539708-0-9

3 LOCATION & FIXING

ONE HOLE BATH MIXERS

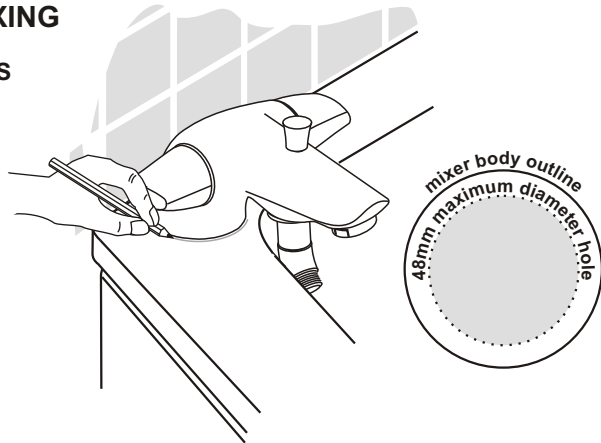


Figure 6 Drilling the bath tub

The one hole bath fittings require a bath supplied without tap holes. The installer will have to drill a 48mm diameter hole in the rim but before doing this it is worth considering the following questions.

- Will a shower screen, if fitted, foul the fitting?
- Is there adequate space for the handle rotation?

Check the position before fitting the inlet tails and draw a pencil line around the base of the mixer (Fig 6).

In the centre of the of the outline, drill a 48mm hole.

It is important not to exceed this size otherwise the sealing washer may not seal correctly.

ONE HOLE BASIN & BIDET MIXERS

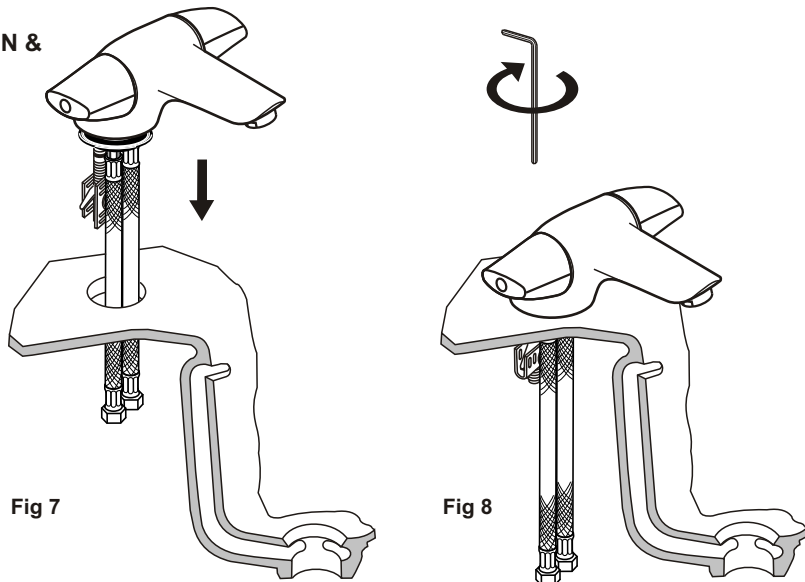


Fig 7

Fig 8

Basin / Bidet Monoblock Mixer

Connect fixation bracket to the underside of the mixer body by 2 - 3 threads only
THIS IS A LEFT HAND THREAD.

- Ensure fixation bracket is also only engaged by 2 - 3 threads.
- Hold the fixation bracket in the vertical position and place through the tap hole ensuring that the sealing washer remains above the platform as this acts as a watertight seal between the two surfaces, (Fig 7).
- When positioned correctly, tighten the fitting using the Allen key provided. (Pass the Allen key to the user for future use). (Fig 8)
- Once tightened, position the vertical pop-up rod (13) through the same vertical hole and connect this to the horizontal rod using the connector provided.

4 BACK SYPHONAGE PROTECTION

INSTALLERS' DUTY

The water regulations place a duty on installers to ensure that flexible shower hoses cannot create a backflow risk. This risk exists when it is possible for a flexible shower outlet to enter any sanitary vessel.

The details of these risks are outlined in a separate leaflet (E965049), however, to enable installers easily to comply with the regulations, all Ideal Standard bath shower mixers are supplied with a screw-to-wall restraining bracket.

This restraining bracket should be sited such that when the flexible shower hose is passed through it, the spray head cannot enter any adjacent sanitary appliance. The three sketches below summarise its correct use.



Fig 9 shower hose restraining bracket. Screw to the wall in a suitable position as shown below

The three applications shown below are permissible in any application, either domestic or health-care establishments, as long as the supplies are at reasonably balanced pressures and from a common source. i.e. both from storage or both from the same mains fed system such as a Modulating Combination Boiler or Unvented Hot Water Supply System (UHWSS).

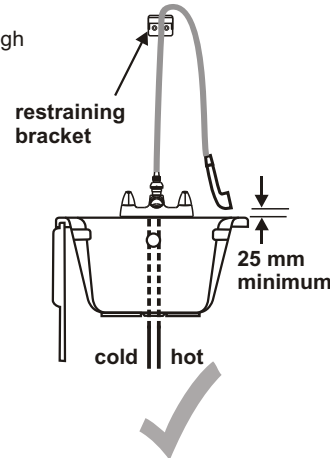


Fig 10 Bath or shower tray

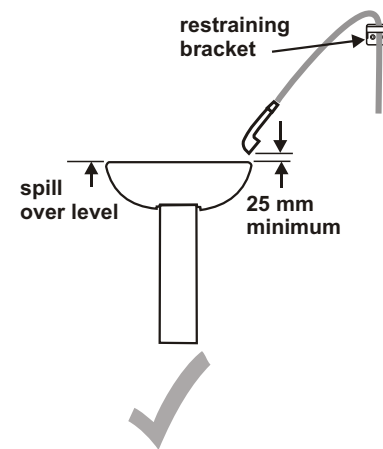


Fig 11 Washbasin

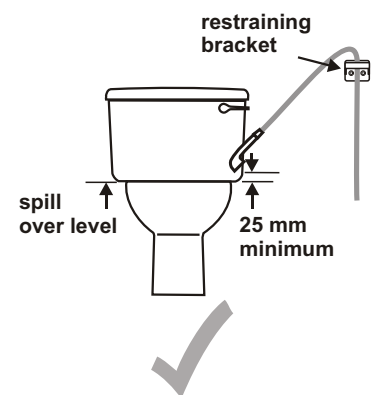


Fig 12 WC or bidet

5 CARTRIDGE REPLACEMENT

1. Turn off both hot and cold water supplies
2. Remove index buttons (1)
3. Undo screws (2) using a Phillips screwdriver
4. Pull off handles (3)
5. Pull off drive insert (4)
6. Unscrew cartridge (5/6 for basin or 25/26 for bath) and replace with the new one
7. Reverse the procedure for assembly

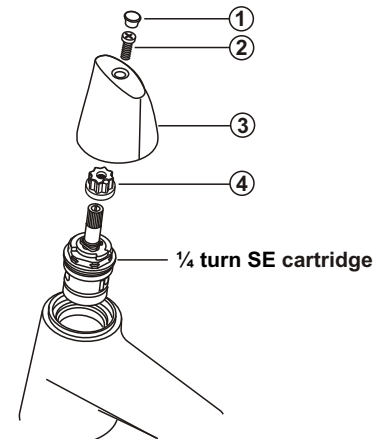


Fig 13

6 OPERATION

All Ceraplan Disc fittings operate using quarter turn SE cartridges, G $\frac{1}{2}$ for the Basin and Bidet fittings and G $\frac{3}{4}$ for all the bath fittings.

The operation of the Bath shower mixer divertors is illustrated in Figs 14 & 15

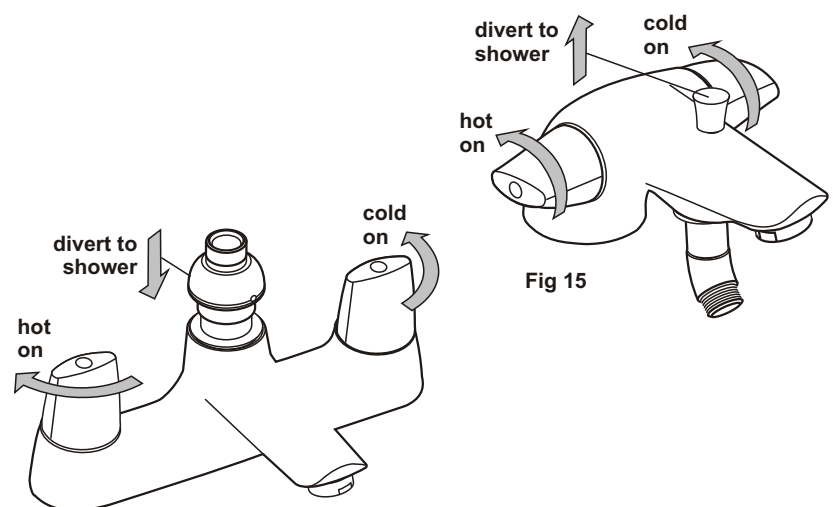


Fig 14

Fig 15

7 CLEANING

When cleaning the fittings always use soap based cleaners. Never use abrasive or scouring powders and never use cleaners containing alcohol, ammonia, nitric acid, phosphoric acid or disinfectants.