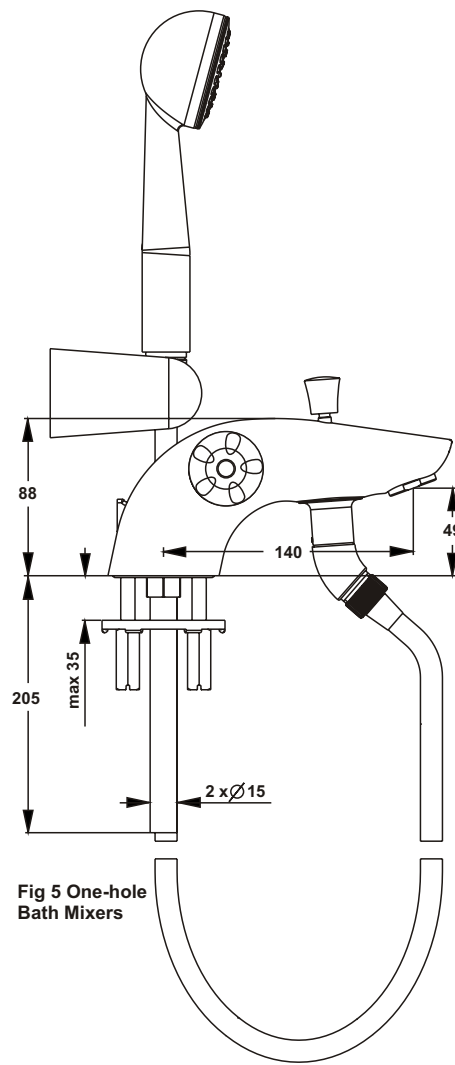


Fig 18 Two-hole Bath Fittings

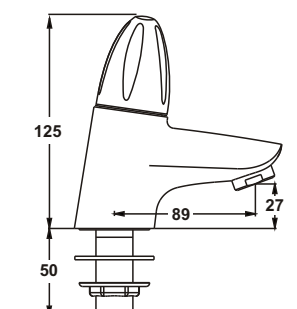
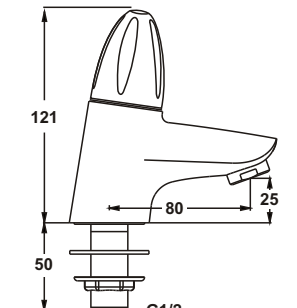
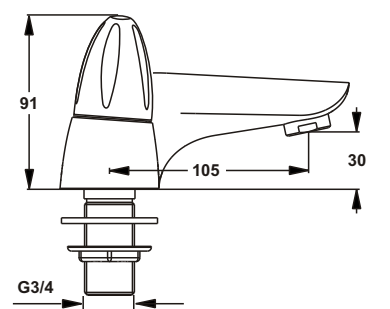
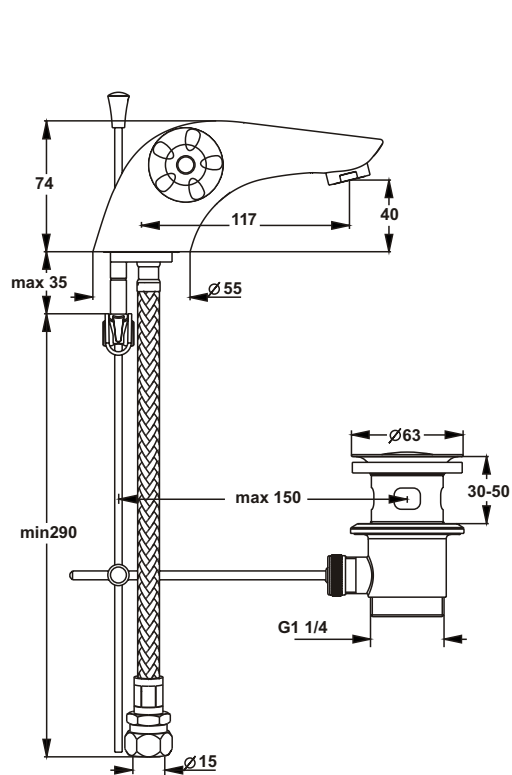
- 1 Set of red & blue index buttons
- 2 Screw M4 x 12mm
- 3 Ceraplan Duo handle
- 4 Drive insert
- 5 G $\frac{1}{2}$  Rubber valve
- 7 Flow straightener
- 8 Sealing washer
- 9 Top-fix clamp
- 10 Pop-up waste complete
- 11 Pop-up waste plug
- 12 Flexible inlet tails
- 13 Pop-up rod complete with clamp
- 14 Slotted waste complete
- 15 Weighted chain and plug
- 16 Aerator
- 17 Bidet swivel
- 18 Basin pillar tap fixing set
- 19 Bath pillar tap fixing set
- 20 Sealing gasket, 2-hole bath fittings
- 21 Divertor, 2-hole bath/shower mixer
- 22 Shower hose, 2-hole mixer
- 23 Shower handspray
- 24 Showering station
- 25 G $\frac{3}{4}$  rubber valve
- 27 Shower hose restraining bracket
- 28 Flow straightener, 1-hole bath fittings
- 29 Divertor, 1-hole bath/shower mixer
- 30 Allen key
- 31 135° elbow
- 32 Check valve
- 33 Diverter knob
- 34 Deck sealing o-ring
- 35 Fixing set, 1-hole bath fittings
- 36 O-rings
- 37 Inlet tails 15mm copper
- 38 Shower hose, 1-hole mixer



### Installation Instructions CERAPLAN DUO Dual Control Bathroom Fittings

- B8247AA Basin Monoblock + Pop-up
- B8248AA Basin Monoblock + Weighted Chain
- B8249AA Bath Filler Monoblock
- B8250AA Bidet Monoblock
- B8251AA Bath Shower Mixer Monoblock

- B8256AA Basin Pillar Taps
- B8257AA Bath Pillar Taps
- B8258AA Bath Filler 2-hole
- B8259AA Bath Shower Mixer 2-hole



CUSTOMER CARE HELPLINE  
**0870 129 6085**

CUSTOMER CARE FAX  
**01482 499611**

E-MAIL  
[ukcustcare@aseur.com](mailto:ukcustcare@aseur.com)

Ideal Standard pursues a policy of continuing improvement in design and performance of its products. The right is therefore reserved to vary specification without notice.

Ideal Standard is a division of Ideal Standard (UK) Ltd

Ideal Standard  
The Bathroom Works, National Avenue  
Kingston-upon-Hull, HU5 4HS England

*Ideal Standard*

**INSTALLER: After installation please pass this instruction booklet to user**

## 2 RANGE, SUPPLY CONDITIONS & OPERATION

The fittings covered by this installation and maintenance instruction should be installed in accordance with the water regulations published in 1999\*, therefore, Ideal Standard would strongly recommend that these fittings are installed by a professional installer

### WATER SUPPLIES

Ceraplan Duo fittings are designed for use on systems where the water pressure is a minimum of 0.1 bar (0.2 bar for bidet) and they are suitable for use up to a pressure of 5.0 bar.

For fittings at pressures above 2.0 bar it may be found desirable to replace the flow straighteners with Neoprene aerator/flow restrictors (not supplied). These can be obtained by contacting the customer care team (see back cover) and quoting the following reference numbers:

A960321AA Basin, bidet and 2-hole bath fittings

A960309AA 1-hole bath fittings

It is recommended that the hot and cold supply pressures are reasonably balanced and from a common source.

### CONNECTIONS

It may be necessary to insert the flexible inlet tails of the Basin and Bidet fittings through the tap hole from below before screwing them into the fitting body as the inlet end connectors may not pass through the tap hole when fitted. Ensure they are tightened before securing the fitting to the tap deck.

Basin pillars	- G $\frac{1}{2}$
Bath pillars and 2-hole bath fittings	- G $\frac{3}{4}$
Basin/bidet monoblock	- Flexible inlet tails with 15mm compression connectors
Bath monoblocks	- 15mm copper tails

\*A guide to the Water Supply (Water Fittings) Regulations 1999 and the Water Byelaws 2000, Scotland, is published by WRAS (Water Regulations Advisory Scheme) Fern Close, Pen-y-Fan Industrial Estate, Oakdale, Newport, NP11 3EH. ISBN 0-9539708-0-9

## 3 LOCATION & FIXING

### ONE HOLE BATH MIXERS

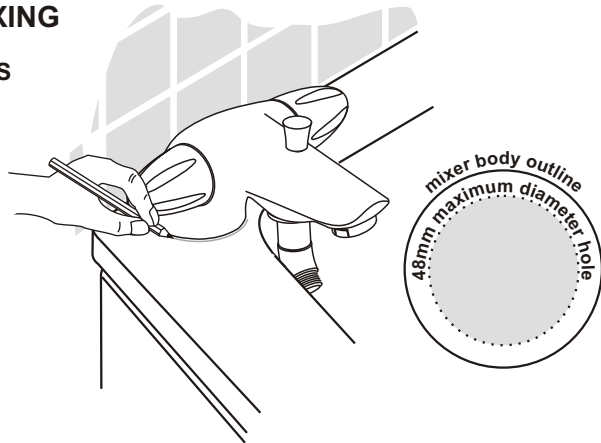


Figure 6 Drilling the bath tub

The one-hole bath fittings require a bath supplied without tap holes. The installer will have to drill a 48mm diameter hole in the rim but before doing this it is worth considering the following questions.

- Will a shower screen, if fitted, foul the fitting?
- Is there adequate space for the handle rotation?

Check the position before fitting the inlet tails and draw a pencil line around the base of the mixer (Fig 6).

In the centre of the of the outline, drill a 48mm hole.

It is important not to exceed this size otherwise the sealing washer may not seal correctly.

### ONE HOLE BASIN & BIDET MIXERS

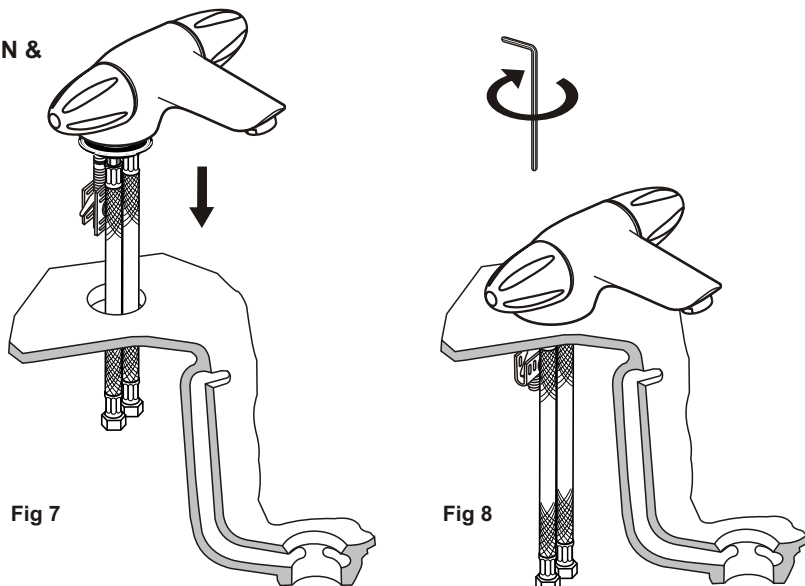


Fig 7

Fig 8

### Basin / Bidet Monoblock Mixer

Connect fixation bracket to the underside of the mixer body by 2 - 3 threads only  
THIS IS A LEFT HAND THREAD.

- Ensure fixation bracket is also only engaged by 2 - 3 threads.
- Hold the fixation bracket in the vertical position and place through the tap hole ensuring that the sealing washer remains above the platform as this acts as a watertight seal between the two surfaces, (Fig 7).
- When positioned correctly, tighten the fitting using the Allen key provided. (Pass the Allen key to the user for future use). (Fig 8)
- Once tightened, position the vertical pop-up rod (13) through the same vertical hole and connect this to the horizontal rod using the connector provided.

## 4 BACK SYPHONAGE PROTECTION

### INSTALLERS' DUTY

The water regulations place a duty on installers to ensure that flexible shower hoses cannot create a backflow risk. This risk exists when it is possible for a flexible shower outlet to enter any sanitary vessel.

The details of these risks are outlined in a separate leaflet (E965049), however, to enable installers easily to comply with the regulations, all Ideal Standard bath shower mixers are supplied with a screw-to-wall restraining bracket.

This restraining bracket should be sited such that when the flexible shower hose is passed through it, the spray head cannot enter any adjacent sanitary appliance. The three sketches (Fig's 10 - 12) summarise its correct use.



Fig 9 shower hose restraining bracket. Screw to the wall in a suitable position as shown below

The three applications shown below are permissible in any application, either domestic or health-care establishments, as long as the supplies are at reasonably balanced pressures and from a common source. i.e. both from storage or both from the same mains fed system such as a Modulating Combination Boiler or Unvented Hot Water Supply System (UHWSS).

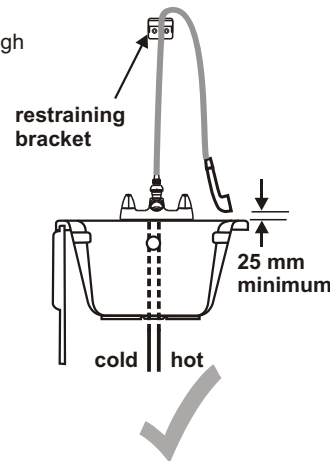


Fig 10 Bath or shower tray

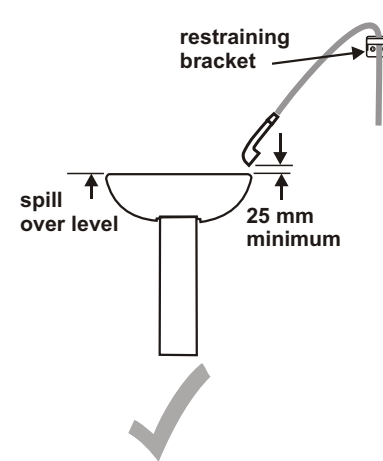


Fig 11 Washbasin

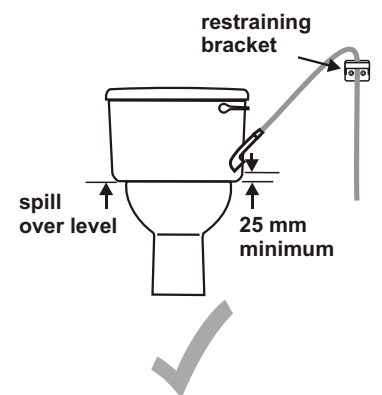


Fig 12 WC or bidet

## 5 VALVE REPLACEMENT

1. Turn off both hot and cold water supplies
2. Remove index buttons (1)
3. Undo screws (2) using a Phillips screwdriver
4. Pull off handles (3)
5. Pull off drive insert (4)
6. Unscrew internal valve (5 for basin or 25 for bath) and replace with the new one
7. Reverse the procedure for assembly

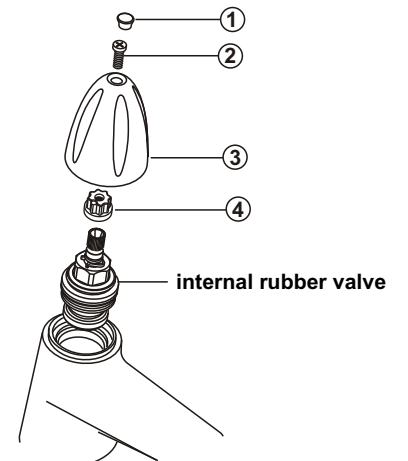


Fig 13

## 6 OPERATION

All Ceraplan Duo fittings operate using screw down rubber valves, G $\frac{1}{2}$  for the Basin and Bidet fittings and G $\frac{3}{4}$  for all the bath fittings.

The operation of the Bath shower mixer divertors is illustrated in Figs 14 & 15

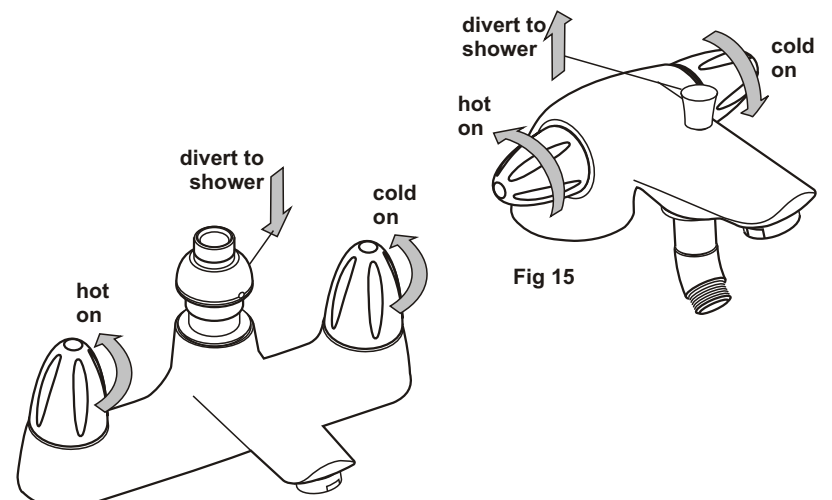


Fig 14

Fig 15

## 7 CLEANING

When cleaning the fittings always use soap based cleaners. Never use abrasive or scouring powders and never use cleaners containing alcohol, ammonia, nitric acid, phosphoric acid or disinfectants.