

# IDEALFORM ACRYLIC BATHS

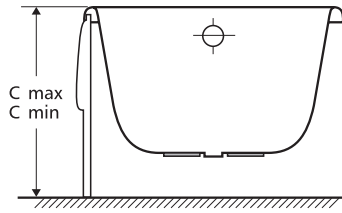
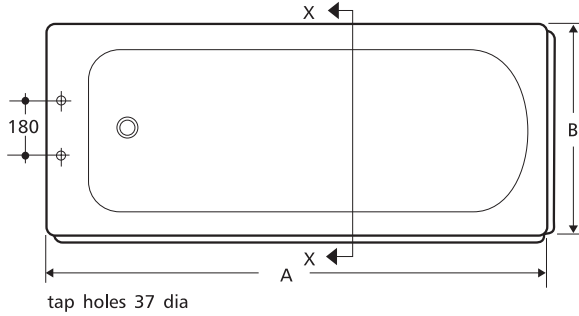
---



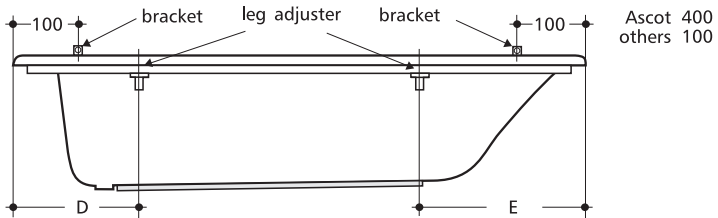
## Installation Instruction

---

# TECHNICAL INFORMATION



Section X - X  
**Fig. 1**



**Fig. 2** centres of leg adjusters

All dimensions shown in millimetres.  
Dimensions shown may vary within permitted tolerances.

## BATH CONDITION

Before commencing installation, carefully remove packaging/protective film and check for damage. If damaged, report immediately to supplier.

The bath should be fully protected during the installation process.

Fig. 1 illustrates baths fitted with rigid panels (except baths with wooden panel option. - see Installation Instructions supplied with wooden panels).

***Appropriate safety equipment/workwear should be used***

TABLE 1

	A	B	C	Max	C	Min	D	E	Water capacity to overflow A or B litrs	Panel type A or B
Accent Cube 170 x 70	1695	695	540	510	350	530	218	A		
Accent Cube 170 x 75	1695	745	540	510	370	530	202	A		
Accent Cube 180 x 80 DE	1795	795	605	575	450	450	248	A		
Alto 70	1695	695	550	520	390	495	175	A		
Alto 75	1695	745	550	520	390	495	195	A		
Alto Double	1695	745	550	520	440	440	200	A		
Alto W.S. 70	1695	695	550	520	390	495	149	A		
Aqua Duo	1800	800	595	565	450	450	262	B		
Ascania	1690	700	530	500	400	500	195	B		
Ascot	1695	745	543	543	390	590	207	A		
Baronet	1695	695	540	520	370	495	190	A		
Camargue	1690	690	530	500	420	470	195	B		
Cameo 150	1490	695	530	500	350	500	180	B		
Cameo 170	1690	700	530	500	350	500	209	B		
Concept 150	1495	695	540	500	390	450	149	B		
Concept 170	1695	695	540	500	390	450	174	B		
Concept 170 x 75	1695	745	540	500	390	460	192	B		
Concept 170 x 75 DE	1695	745	540	500	470	470	174	B		
Concept 170 x 75 Asym	1695	745	540	500	440	440	191	B		
Concept 180 x 70	1795	695	540	500	390	550	187	B		
Concept Air 180 x 80	1795	795	540	510	420	570	250	B		
Cottage	1690	700	530	500	370	500	190	A		
Create 70	1695	695	540	520	400	500	190	A		
Create 75	1695	745	540	545	390	430	208	B		
Elmdale 150	1500	700	565	545	400	450	158	B		
Elmdale 170	1700	700	565	500	400	550	192	B		
Envy	1685	700	530	500	370	420	191	B		
Halo	1685	695	530	500	400	470	175	A		
Harrow	1695	695	540	565	370	495	180	B		
Jasper Morrison	1695	695	595	500	450	450	230	A		
Kyomi 180	1795	795	540	500	410	535	185	B		
Lichfield/Shellland	1690	690	530	515	350	530	190	A		
Linda 180	1790	795	540	500	535	535	225	B		
Monaco	1680	690	530	500	420	470	191	B		
Montana	1690	690	530	510	380	470	209	A		
Playa 160	1595	695	540	510	350	550	163	A		
Playa 170	1695	695	540	510	380	550	173	A		
Playa 170 W.S	1695	695	540	500	380	550	139	A		
Plaza	1695	695	540	500	370	495	170	A		
Purity	1695	695	540	530	435	495	207	A		
Richmond	1695	695	550	500	400	460	190	A		
Sandringham 150	1485	692	530	500	370	400	160	B		
Sandringham 170.	1680	690	530	500	420	470	167	B		

	A	B	C	Max	C	Min	D	E	Water capacity to overflow A or B litrs	Panel type A or B
Sandringham W.S.	1680	690	530	500	420	470	149	B		
Sandringham 21 150	1495	695	540	510	370	500	148	A		
Sandringham 21 160	1595	695	540	510	370	500	160	A		
Sandringham 21 170	1695	695	540	510	370	500	174	A		
Sandringham 21 170 W.S.	1695	695	540	510	370	540	139	A		
Select	1685	690	530	500	380	380	179	B		
Select Con 150	1495	692	530	500	370	400	160	B		
Select Con 170	1685	690	530	500	380	380	179	B		
Seville	1690	690	530	500	420	470	195	B		
Simplicity 170	1695	695	540	500	370	450	174	A		
Softwood 70	1695	695	540	500	380	400	206	A		
Softwood 70 Duo	1695	695	540	500	410	410	181	A		
Softwood 75	1695	745	540	500	380	400	226	A		
Softwood 75 Duo	1695	745	540	500	420	420	185	A		
Strada 170 x 70	1695	695	610	580	420	560	175	A		
Strada 170 x 75	1695	745	610	580	420	560	195	A		
Strada 170 x 75 DE	1695	745	610	580	510	510	178	A		
Strada 180 x 80 DE	1795	795	610	580	560	560	220	A		
Studio 150	1495	695	540	480	365	530	162	A		
Studio 170	1695	695	540	480	365	530	185	A		
Studio Extra	1695	745	540	480	365	530	203	A		
Tiffany	1690	690	530	500	370	450	160	B		
Tempo Arc 150 x 70	1495	695	540	510	450	450	155	A		
Tempo Arc 170 x 70	1695	695	540	510	450	450	181	A		
Tempo Arc 170 x 70 WS	1695	695	540	510	450	450	139	A		
Tempo Arc 170 x 75 DE	1695	745	540	510	430	430	180	A		
Tempo Cube 170 x 70	1695	695	540	510	350	530	202	A		
Tempo Cube 170 x 70 WS	1695	695	540	510	350	530	139	A		
Tempo Cube 170 x 75	1695	745	540	510	370	530	218	A		
Tempo Cube 170 x 75 DE	1695	745	540	510	390	390	190	A		
Tempo Cube 180 x 80 DE	1795	795	605	575	450	450	248	A		
Testi 160	1595	695	540	510	380	550	173	A		
Testi 170	1695	695	540	510	380	550	163	A		
Testi 170 WS	1695	695	540	510	380	550	139	A		
Testi 170 x 70 DE	1695	695	540	510	500	500	163	A		
Testi 170 x 70 DE WS	1695	695	540	510	500	500	139	A		
Tonic 170	1700	800	595	565	450	630	203	B		
Tonic 180	1800	800	595	565	450	630	220	B		
Ventuno 70	1695	695	550	520	420	520	200	A		
Ventuno 75	1695	745	580	560	420	520	215	A		
Ventuno 70 WS	1695	695	550	520	420	520	140	A		
Zenith Arcadia	1690	690	530	500	360	530	190	B		
Zenith Consort	1685	695	530	500	420	470	200	B		

# INSTALLATION

1. Lay bath face down and remove legs and bags containing feet etc. (Note: Tonic waste is boxed separately.)

**The 4 black - No. 8 x 40 long countersunk crosshead self tapping screws removed from the bath are NOT REQUIRED.**

2. Locate leg adjusters on bath frame and mark positions for the fixing screws. Note: If fitting wooden panels, locate outside face of leg adjuster flush with outside face of frame. Pilot drill the holes in the bath frame and fix leg adjusters to frame.

3. Locate bath legs in leg adjusters and mark positions for the fixing screws on the base board. Pilot drill the holes in the base board, to a depth of 6mm maximum. Position legs in leg adjusters and on base board and secure. Locate No. 8 x 12 long pan head self tapping screw into leg adjuster and tighten.

**DO NOT OVER TIGHTEN.**

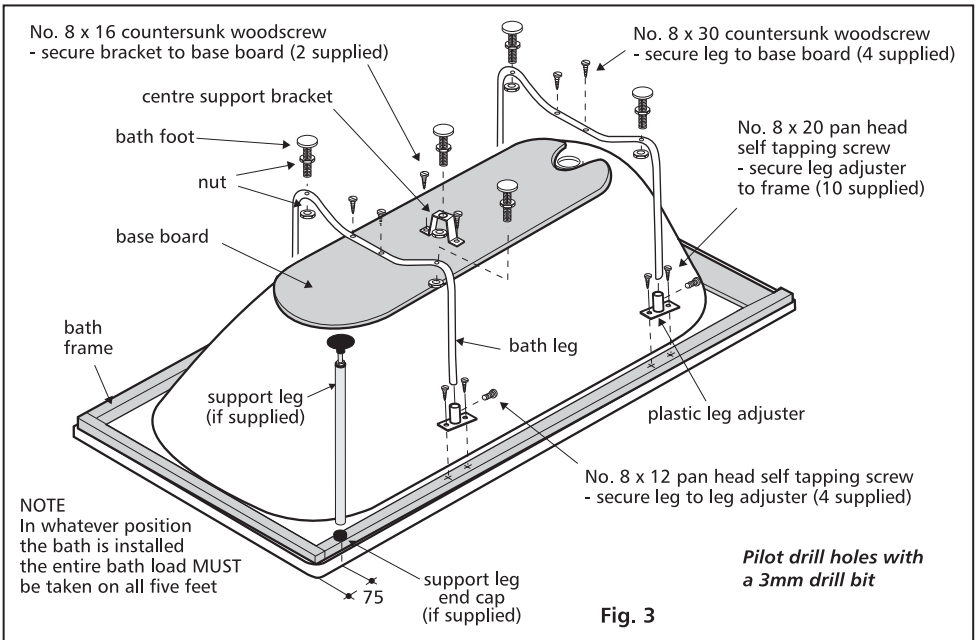
4. Locate centre support bracket, mark screw hole positions, pilot drill holes in base board, to a depth of 6mm maximum, and secure bracket.

5. Fix the feet and adjust to give approximate floor to top of rim height. Trial fit the panel(s) to verify height is correct.

**Note:** *Untrimmed panel fitment requires the maximum height adjustment (Cmax Fig1). Remember to allow for floor covering thicknesses and uneven floors.*

6. Tonic Only. Fit support leg end cap to front member of wooden frame in position shown (Fig. 3).

7. Fit supply and waste fittings. If the bath is to be installed with a monoblock mixer a special hole (or holes) is required to accommodate the mixer and will have to be cut by the installer in an appropriate position on the rim of a no tap hole bath to suit the bathroom layout. Full details or a template for cutting the hole (or holes) is supplied with monoblock fittings. A template for cutting two tap holes in a no tap hole bath is supplied with the bath. Cut tap holes, and fit supply fittings, waste, overflow and trap. When using a monoblock fitting, the area directly behind the pop-up waste mechanism should be avoided.



**Fig. 3**

8. Fit hand grips (where supplied)  
See Figs. 4 & 5. Use appropriate mounting method.

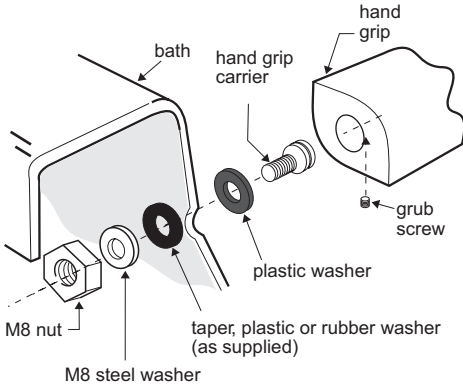


Fig. 4

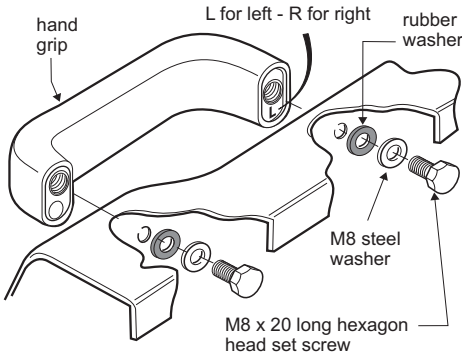


Fig. 5

9. Fix the two wall fixing brackets to bath frame as indicated in Fig. 6. Pilot drill holes in frame before fixing brackets. Note : If wall bracket fitment is not possible, then the use of wooden battens is recommended for rim support.

10. Fix bath to wall (Fig. 6)

11. Fix bath to floor and ensure that all nuts are tight.

12. (Tonic only) Fit support leg and adjust foot to correct height. (Do not force the rim upwards). The foot can be screwed to the floor for extra stability if required. Tighten locking nut.

13. Connect services, test for satisfactory operation of fittings and ensure there are no leaks.

14. Tile down to the height of the bath rim leaving a 3-4mm gap for waterproof sealant, see Fig. 6. An extruded sealing strip can be used for the bath to wall joint as an alternative to waterproof sealant. Protect bath during tiling and uneven floors.

**WARNING**

**DO NOT fix hand grips in any oil based bedding compound or putty. These materials contain solvents which will damage the hand grips irreparably.**

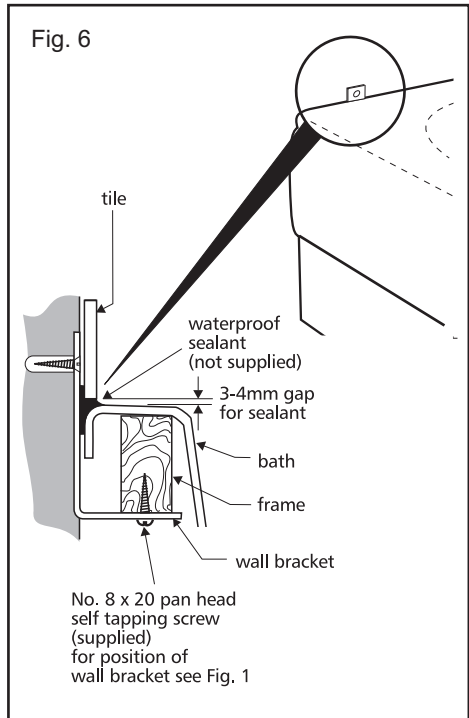


Fig. 6

15. FIT PANEL(S)

**Refer to Table 1 for panel type**

PANEL TYPE 'A'

UNILINE PANELS

16. Fit panel(s)

Attach the lengths of PVC cushioning strip to the top edge(s) of the panel(s) (three on the front panel and two on the end). Fit

panel(s) (end panel first where appropriate) by pushing the top edge under the bath rim, Fig. 7.

17. Panels can be reduced in height by cutting a strip from the bottom edge, for heights see Fig. 1. Timber floor battens are not supplied but are necessary to secure the panels. Screw battens to the floor.

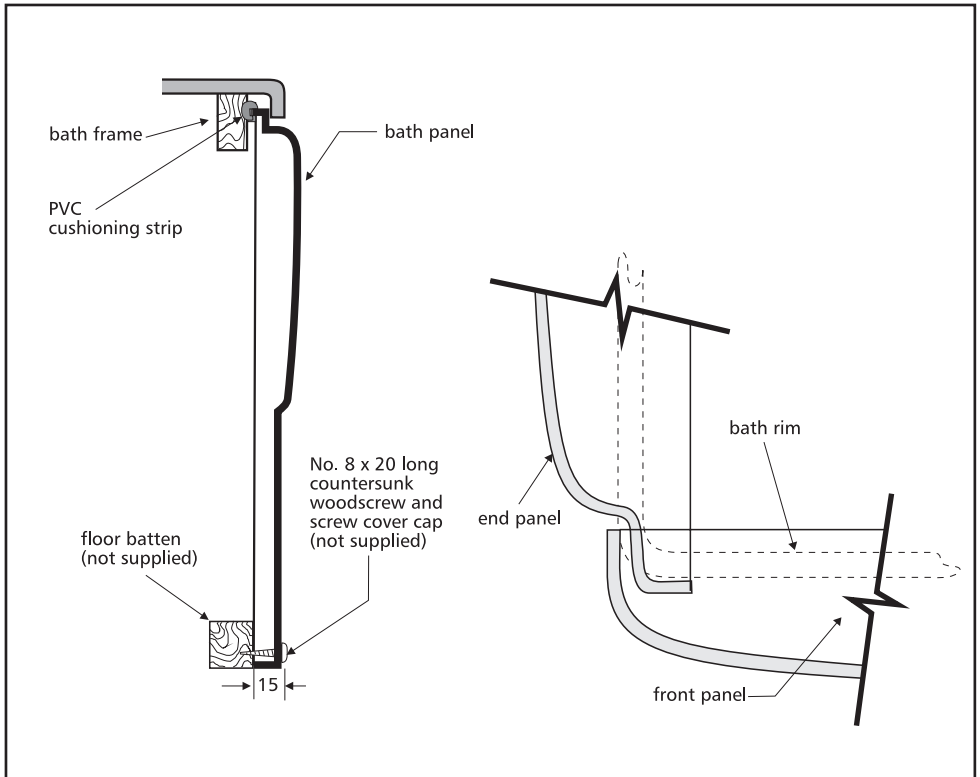


Fig. 7 TYPE 'A' PANELS

## PANEL TYPE 'B'

End panels must be fitted before front panels. Hercules 800 end panels will need to be trimmed if fitting to 750mm wide baths. (See Fig. 8 for abutment cut out).

Universal 2 front panel may be installed with feature line at top or bottom. Hercules front panel to be installed with feature line closest to the floor.

Ensure that the bath is fitted and levelled to the correct height (see table), measured from the floor to the top of the bath roll.

Drop a plumbline from the corner of the bath and mark the floor corresponding to the outline of the bath.

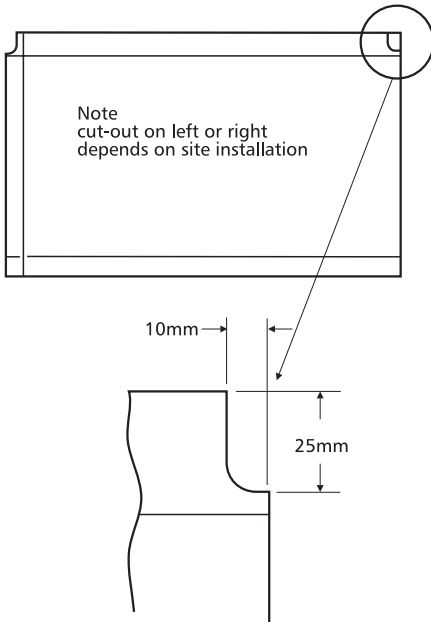


Fig. 8

From this line measure back:

1. 8mm for the Universal front panels
2. 12mm for Hercules front panels
3. 40mm Jasper Morrison front panel  
16mm Jasper Morrison end panel

Screw retaining clips, evenly spaced onto the wooden frame behind the bath roll.

Insert top of the end panel between the bath roll and retaining clips and push the bottom of the panel against the batten, Fig. 9. Repeat procedure for the front panel.

When both panels are correctly positioned, in relation to the bath's corners, secure panels to battens.

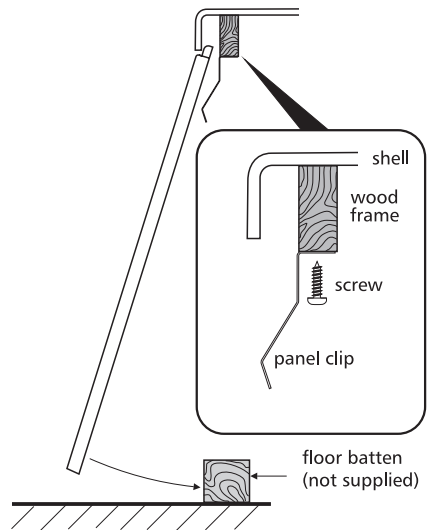


Fig. 9

## TYPE 'B' PANELS

### WOODEN PANELS

18. Installation details for fixing wooden panels are supplied with the panels.

The Bathroom Works  
National Avenue  
Kingston upon Hull  
HU5 4HS  
England

**CUSTOMER CARE HELPLINE**  
**0870 1296085**

**CUSTOMER CARE FAX LINE 01482 499611**  
**email: [ukcustcare@ Ideal Standard.com](mailto:ukcustcare@IdealStandard.com)**

We pursue a policy of continuing improvement in design and performance of our products. The right is, therefore, reserved to vary specifications without notice.

Ideal Standard (UK) Ltd.

4025 12/17  
**EE72528467**