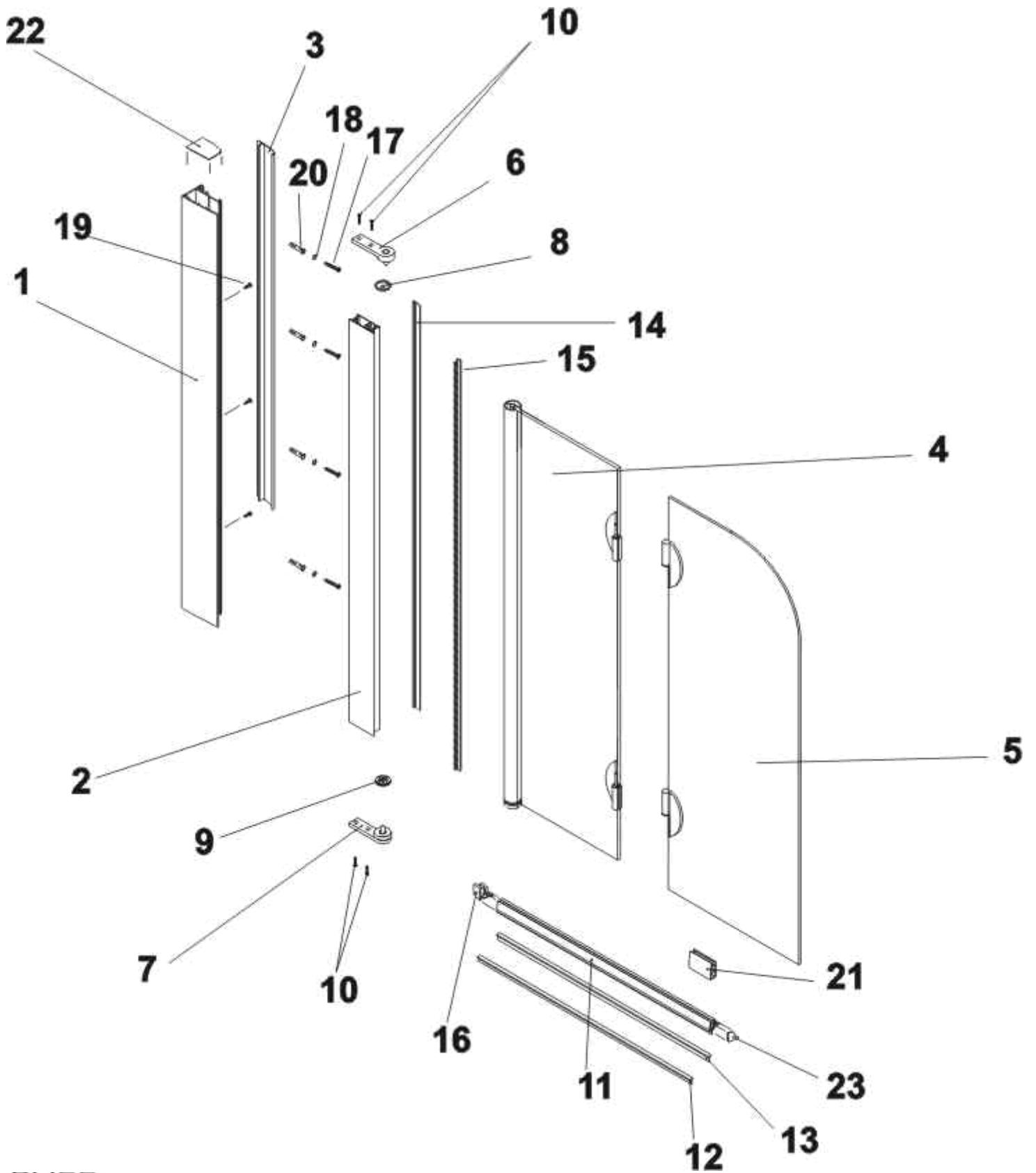


<p>



Part No.	Part Name	Material	Quantity
1	Vertical frame profile	Aluminum	1
2	Secondary vertical frame profile	Aluminum	1
3	Top horizontal frame profile	Aluminum	1
4	Shower door panel	Tempered Glass	1
5	Shower door panel (curved)	Tempered Glass	1
6	Top horizontal frame profile	Aluminum	1
7	Small circular fastener	Stainless Steel	1
8	Small circular fastener	Stainless Steel	1
9	Small circular fastener	Stainless Steel	1
10	Small circular fastener	Stainless Steel	1
11	Horizontal support bar	Aluminum	1
12	Horizontal support bar	Aluminum	1
13	Horizontal support bar	Aluminum	1
14	Vertical frame profile	Aluminum	1
15	Vertical frame profile	Aluminum	1
16	Horizontal support bar	Aluminum	1
17	Small circular fastener	Stainless Steel	1
18	Small circular fastener	Stainless Steel	1
19	Small circular fastener	Stainless Steel	1
20	Small circular fastener	Stainless Steel	1
21	Small rectangular fastener	Stainless Steel	1
22	Small rectangular fastener	Stainless Steel	1
23	Small rectangular fastener	Stainless Steel	1

# BLISS

REF	COMPONENT	DESCRIPTION	QTY
1		WALL PROFILE WITH SEALS	1
2		WALL CLAMP PROFILE WITH SEALS	1
3		COVER PROFILE	1
4		INFILL PANEL AND HINGE	1
5		DOOR AND HINGE	1
6		CASTING L.H HINGE SUPPORT	1
7		CASTING R.H HINGE SUPPORT	1
8		FLAT CAM A	1
9		RISE AND FALL CAM B	1
10		NO6 X 25mm S/T C'SUNK SCREW	4
11		BOTTOM SEAL	1
12		16.5mm FLAP SEAL	1
13		20.5mm FLAP SEAL	1
14		FLEXIBLE HINGE SUPPORT SEAL	1
15		BRUSH HINGE SUPPORT SEAL	1
16		BOTTOM INJECTION MOULDING	2

## 24 FIXING PACK

FIXING PACK			
17		TOP COVER CAP	4
18		BOTTOM SEAL	7
19		BRACING BRACKET PACK	3
20		FIXING PACK	4
		TOP COVER CAP	1
21		BOTTOM SEAL	1
		BRACING BRACKET PACK	1
22		FIXING PACK	1
23		TOP COVER CAP	1
23		BOTTOM SEAL	1

