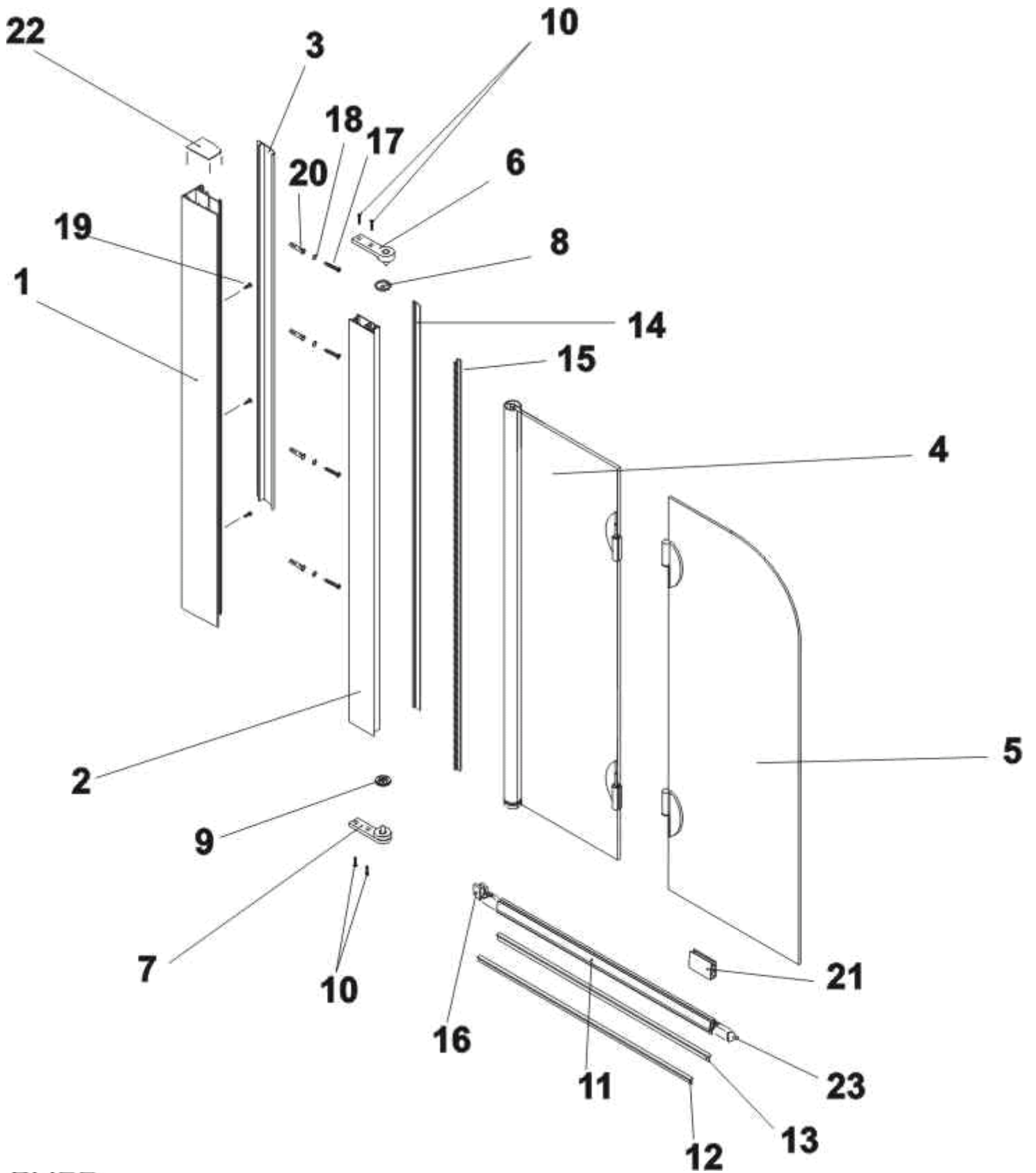


<p>




Part No.	Part Name	Material	Quantity
1	Vertical frame profile	Aluminum	1
2	Vertical frame profile	Aluminum	1
3	Top horizontal frame profile	Aluminum	1
4	Shower door panel	Tempered Glass	1
5	Shower door panel (curved)	Tempered Glass	1
6	Top horizontal frame profile	Aluminum	1
7	Small circular fastener	Stainless Steel	1
8	Small circular fastener	Stainless Steel	1
9	Small circular fastener	Stainless Steel	1
10	Small circular fastener	Stainless Steel	1
11	Bottom horizontal frame profile	Aluminum	1
12	Bottom horizontal frame profile	Aluminum	1
13	Bottom horizontal frame profile	Aluminum	1
14	Vertical frame profile	Aluminum	1
15	Vertical frame profile	Aluminum	1
16	Bottom horizontal frame profile	Aluminum	1
17	Small circular fastener	Stainless Steel	1
18	Small circular fastener	Stainless Steel	1
19	Small circular fastener	Stainless Steel	1
20	Small circular fastener	Stainless Steel	1
21	Small rectangular fastener	Stainless Steel	1
22	Small rectangular fastener	Stainless Steel	1
23	Small rectangular fastener	Stainless Steel	1

# BLISS

REF	COMPONENT	DESCRIPTION	QTY
1		WALL PROFILE WITH SEALS	1
2		WALL CLAMP PROFILE WITH SEALS	1
3		COVER PROFILE	1
4		INFILL PANEL AND HINGE	1
5		DOOR AND HINGE	1
6		CASTING L.H HINGE SUPPORT	1
7		CASTING R.H HINGE SUPPORT	1
8		FLAT CAM A	1
9		RISE AND FALL CAM B	1
10		NO6 X 25mm S/T C'SUNK SCREW	4
11		BOTTOM SEAL	1
12		16.5mm FLAP SEAL	1
13		20.5mm FLAP SEAL	1
14		FLEXIBLE HINGE SUPPORT SEAL	1
15		BRUSH HINGE SUPPORT SEAL	1
16		BOTTOM INJECTION MOULDING	2

## 24 FIXING PACK

FIXING PACK			
17		TOP COVER CAP	4
18		BOTTOM SEAL	7
19		BRACING BRACKET PACK	3
20		FIXING PACK	4
		TOP COVER CAP	1
21		BOTTOM SEAL	1
		BRACING BRACKET PACK	1
22		FIXING PACK	1
23		TOP COVER CAP	1
23		BOTTOM SEAL	1

<b>Ref.</b>	<b>Description</b>	<b>Part No.</b>
1	Wall profile	LV429--
2	Wall Clamp Profile	LV473--
3	Cover Profile	LV430--
4	Infil Panel	-
5	Door	-
6	S/SCREEN TOP PIVOT BLOCK KIT LH	LV471--
7	S/SCREEN TOP PIVOT BLOCK KIT RH	LV472--
8	Flat Cam	EE72564467
9	Rise and Fall cam	EE72553067
10a	Countersunk screws (included in 6 & 7)	-
10b	Mazak Castings (included in 6 & 7)	-
11	Bottom Seal, Contained in TREVI CARRIER/SEAL 850MM&FLAPS 1.1M 16.5	LV41367
12	Flap for Seal, Contained in TREVI CARRIER/SEAL 850MM&FLAPS 1.1M 16.5	LV41367
13	Flap for Seal - 20.5 In pack	LV69367
14	Flexible hinge seal	LV473--
15	Brush hinge seal	LV473--
16a	Bottom Moulding LH	EU10024267
16b	Bottom Moulding RH	EU10024367
24	Fixing Pack (17 - 23)	EE72553367
25	BATH SCREEN CAM - 0 DEG	LV58867
26	Glass seal butt joint	LV67367

**NB -- colour/finish options**

Silver = AA

White = AC

---