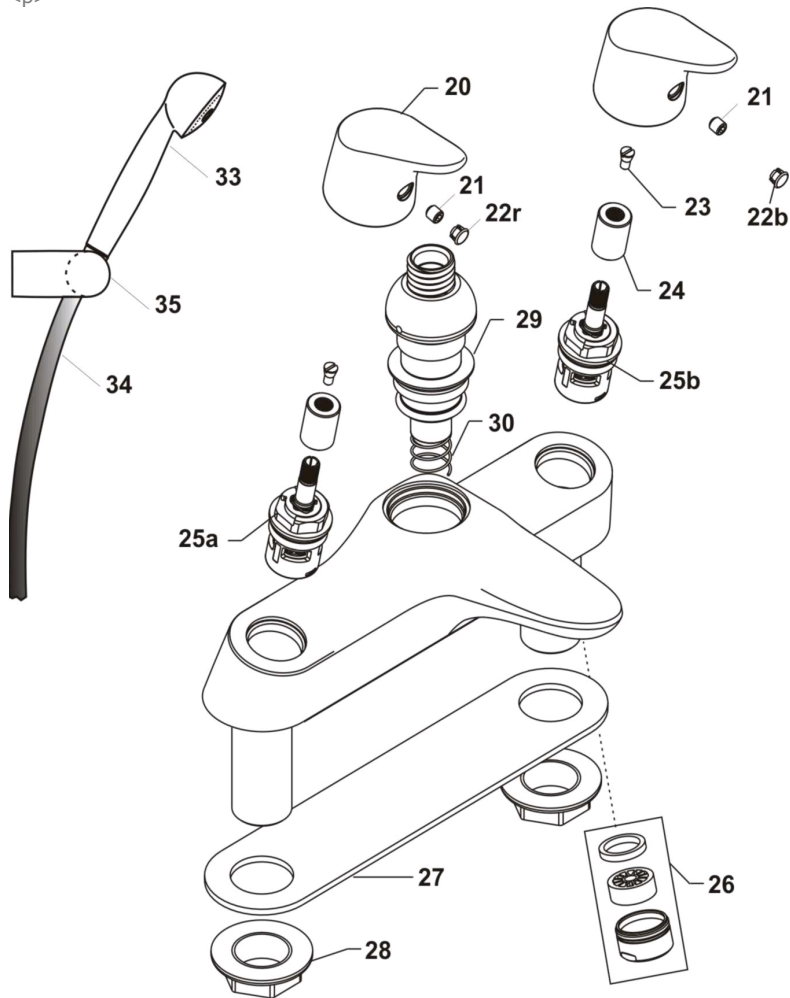


<p>



Ref.	Description
20	Ceramix dual control handle - c/with grub screw & indices (R&B)
21	Grub screw
22r	Red handle index
22b	Blue handle index
23	M4 X10 SCREW TAPER SHOULDER SLOTTED
24	Sleeve
25a	¾" SE ceramic disc cartridge - hot
25b	¾" SE ceramic disc cartridge - cold
25c	SE CERAMIC DISC CARTRIDGES L/FR PAIR ** Spares **
26	Anti-splash
27	Gasket
28	¾in backnut
29	Diverter valve s/assy
30	Diverter valve spring (included in 29)
33	Handspray
34	Flexible shower hose
35	Showering station

Part No.
E960593AA
E91830067
E907022NU
E907023NU
A91831914
E911112NU
A954353NU11
A954352NU11
S960023NU
CX26
E911706NU
EESM40710067
E960315AA
E915812NU
B950791AA11
E4745AA
S960164AA

**NB -- colour/finish options**

Chrome = AA