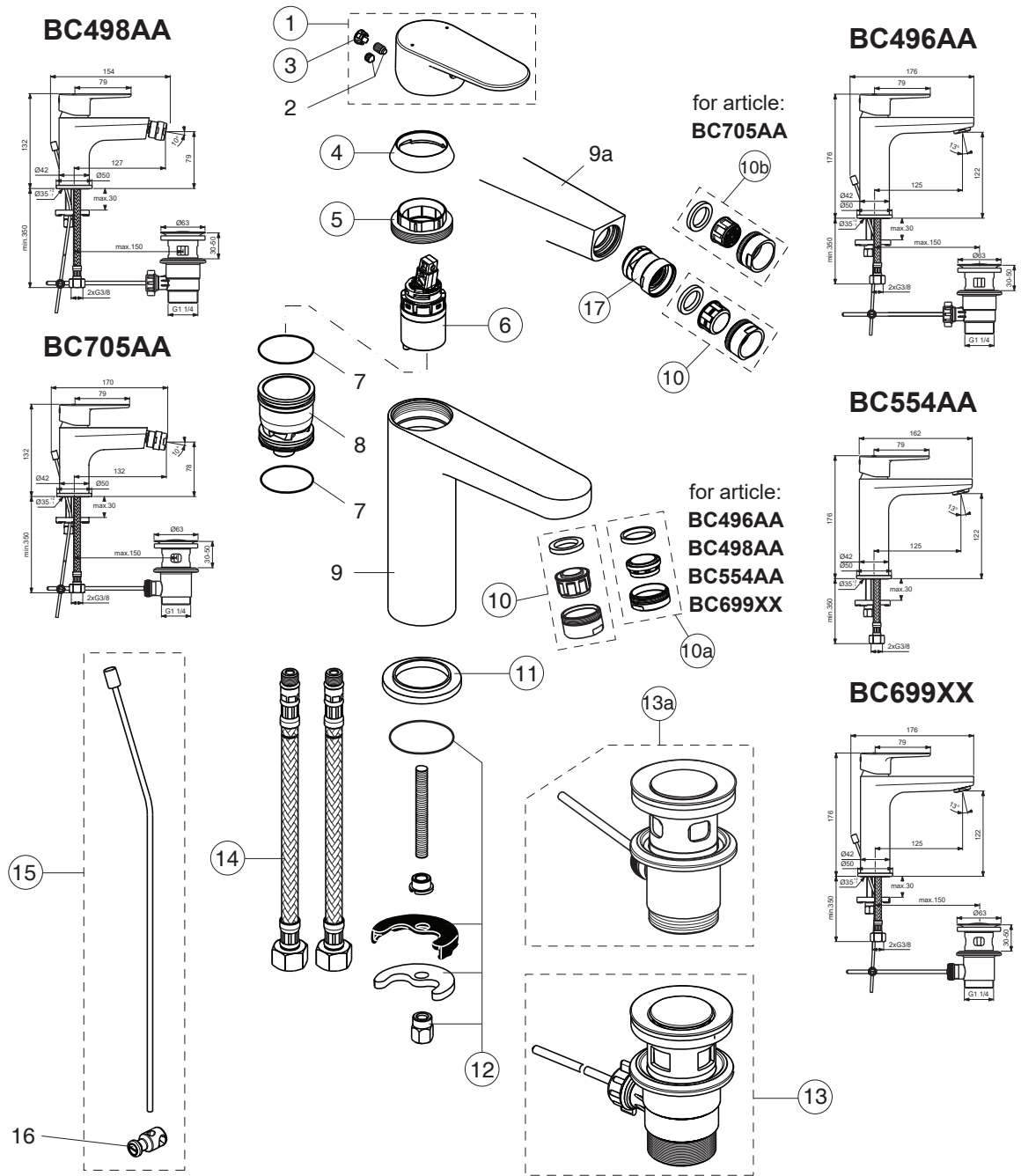




# CERAFINE MODEL O

Ideal Standard



**For XX=Coverage-Designate:**  
AA=chrome, XG=matt black sprayed ral 9005

**For Instance:**  
B961644AA for chrome

Pos.	Signify	Spare parts-Nr.	Quantity	Pos.	Signify	Spare parts-Nr.	Quantity
1	Lever, w/logo-compl.	B961644XX	1 Set	11	Rosette decorative	B960712XX	1 Pcs.
2	Screw		1 Pcs.	12	Connecting set	B964702NU	1 Pcs.
3	Cap decorative	B964696NU	1 Pcs.	13	Pop-up waste-plastic	B964550XX	1 Pcs.
4	Cap	A861080XX	1 Pcs.	13a	Pop-up drain ass.	A962991XX	1 Pcs.
5	Screw M38x1.5	B961645NU	1 Pcs.	14	Flex hose F3/8 /L445	A962005NU	1 Pcs.
6	Cartridge Ø28mm	A861397NU	1 Pcs.	15	Pop up waste-compl.	B961384XX	1 Pcs.
7	O-Ring Ø30x2		2 Pcs.	16	Pop up waste shackle		1 Pcs.
8	Manifold		1 Pcs.	17	Ball joint M24x1	A960063XX	1 Pcs.
9	Body basin		1 Pcs.				
9a	Body bidet		1 Pcs.				
10	Casc.perlator M24x1-A	A960321XX	1 Pcs.				
10a	Perlator M24x1, 5l/min	B961383XX	1 Pcs.				
10b	Aerator M24x1, 5l/min	B960754XX	1 Pcs.				