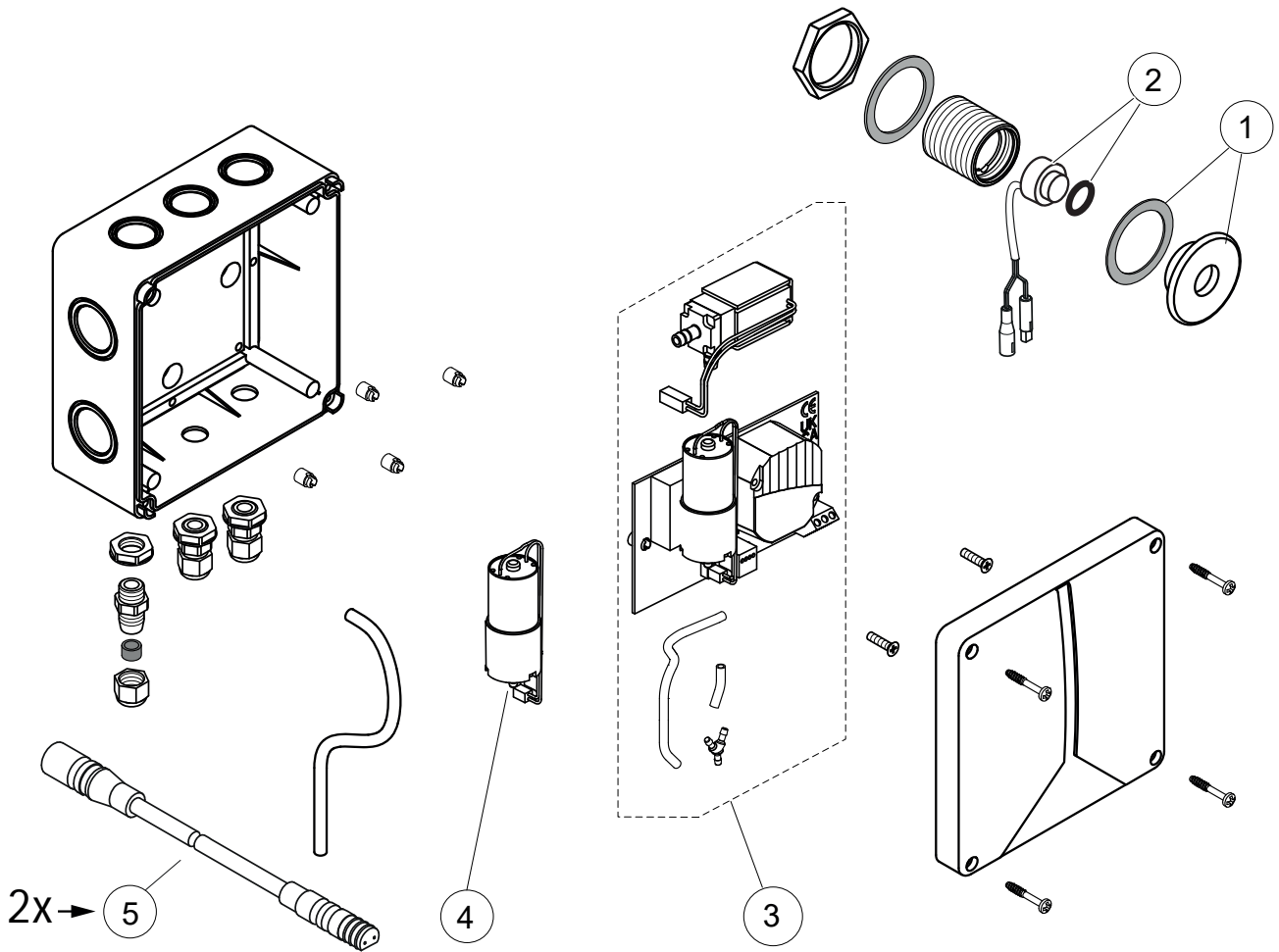


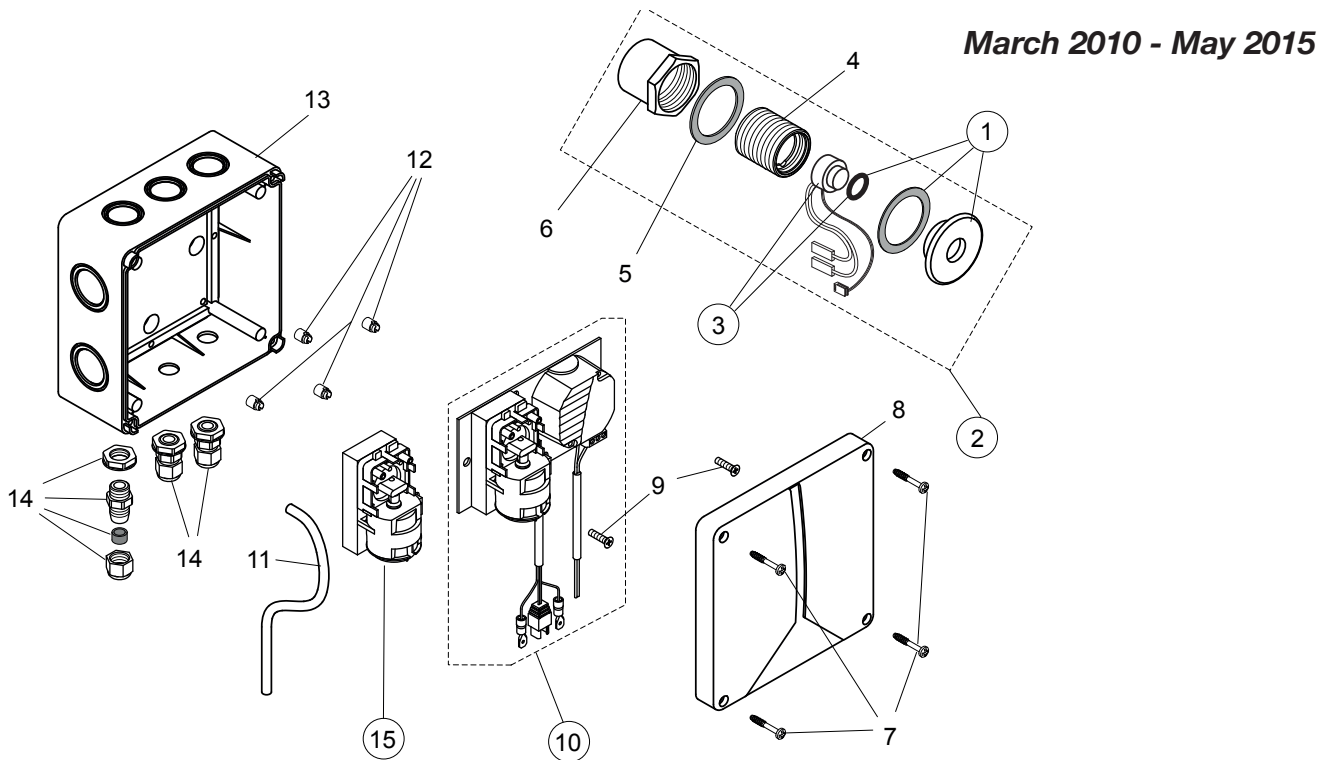
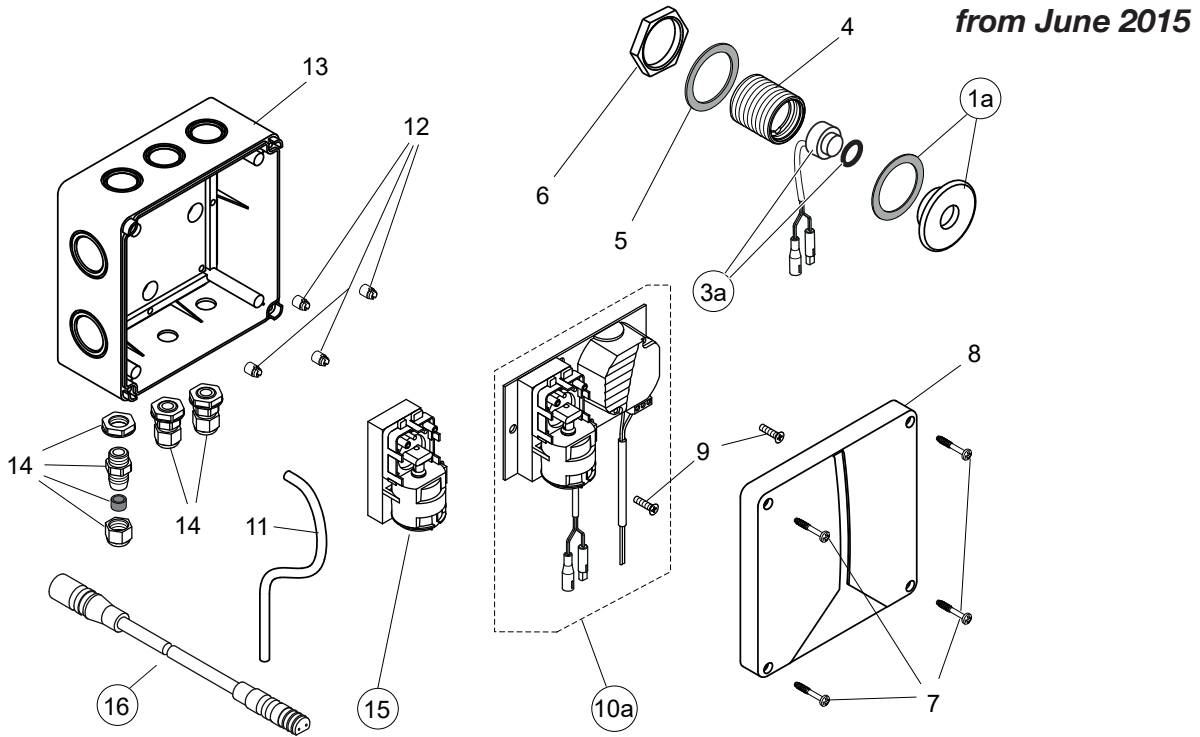
Produced from: July 2021



Pos.	Description	Part-Number	Qty.	Pos.	Description	Part-Number	Qty.
1	Escutcheon for sensor	A 860 975 AA	1 pcs				
2	Sensor with cable + o-ring	A 860 928 NU	1 pcs				
3	PC Board with pump cpl.	A 861 590 NU	1 Set				
4	Pneumatic pump 6V Motor & foam pad	A 963 704 NU	1 pcs				
5	Extension cable 2m (order 2 items)	A 960 635 NU	1 pcs				

Sensorflow 21 A4668..

Produced from: March 2010



Pos.	Description	Part-Number	Qty.	Pos.	Description	Part-Number	Qty.
1	Escutcheon for sensor	A 962 956 AA	1 pcs	9	Screws M4 x16		
1a	Escutcheon for sensor	A 860 975 AA	1 pcs	10	PC Board with pump cpl.	A 962 996 NU	1 pcs
2	Sensor unit complete	E 960 619 AA	1 pcs	10a	PC Board with pump cpl.	A 860 977 NU	1 pcs
3	Sensor with cable + o-ring	A 960 219 NU	1 pcs	11	Poly tube		
3a	Sensor with cable + o-ring	A 860 976 NU	1 pcs	12	Retaining spacer		
4	Thread ring (housing)			13	Control box		
5	Washer Ø45 x Ø34 x 1			14	Cable connection M12		
6	Backnut M33 x 1,5			15	Pneumatic pump		
7	Screws			16	6V Motor & foam pad	A 963 704 NU	1 pcs
8	Cover				Extension cable 2m	A 960 635 NU	2 pcs