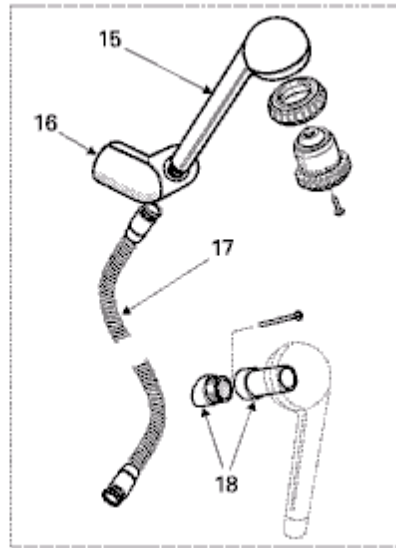
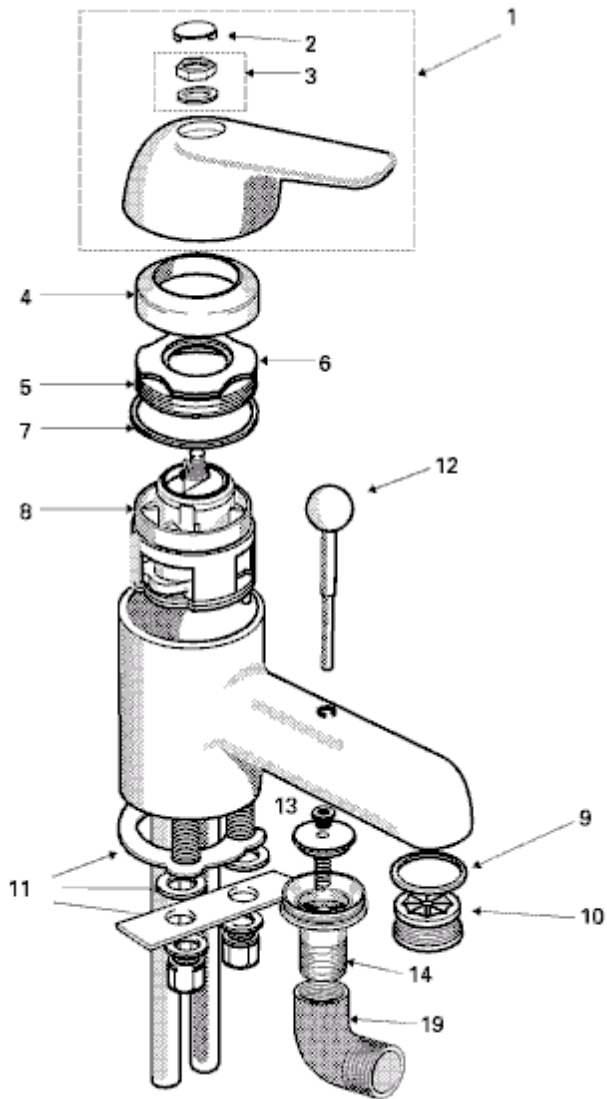


<p>



Ref.	Description	Part No.
1	Handle complete	A963207--
2	Handle cap	A963166LJ
3	Nut and washer for handle	A961974NU
4	Shroud	A963155--
5	Cartridge locking ring	A963156AA
6	O ring - for escutcheon retention	A962639NU
7	O ring	-
8	Large multiport cartridge	A953190NU
9	O ring	A963163NU
10	Flow straightener	A961039NU
11	Fixing kit including fixing bar	A963171NU
12	Divertor knob	A961890--
13	Divertor O ring set	A963170AA
13a	Divertor spindle complete Chrome	A963169AA
14	Divertor base / hose connector	A963168--
15	Handspray CP - SF Ideal Standard from May 2003	B950791AA11
16	Showering station from May 2003	S960164AA
17a	Hose 1.35m	E4745--
17b	Hose 1.8m	A923451
18	Resting station	A951441AC
19	Elbow	A921480--
20	SHOWER HOSE BRACKET - CHROME	EEM134901AA
21	SHOWER HOSE BRACKET - WHITE	EEM13490001

NB -- colour/finish options

Chrome = AA

Light Gold = AZ
